

[54] CHAIR BASE

[75] Inventor: **Randall P. Buhk**, Wyoming, Mich.

[73] Assignee: **Steelcase Inc.**, Grand Rapids, Mich.

[**] Term: **14 Years**

[21] Appl. No.: **908,146**

[22] Filed: **May 22, 1978**

[51] Int. Cl. **D6-06**

[52] U.S. Cl. **D6/196**

[58] Field of Search **D6/30, 31; 248/188.7**

[56] **References Cited**

U.S. PATENT DOCUMENTS

D. 240,375	7/1976	Buhk	D6/30
D. 249,302	9/1978	Ruf	D6/31
4,005,841	2/1977	Rensland et al.	248/188.7

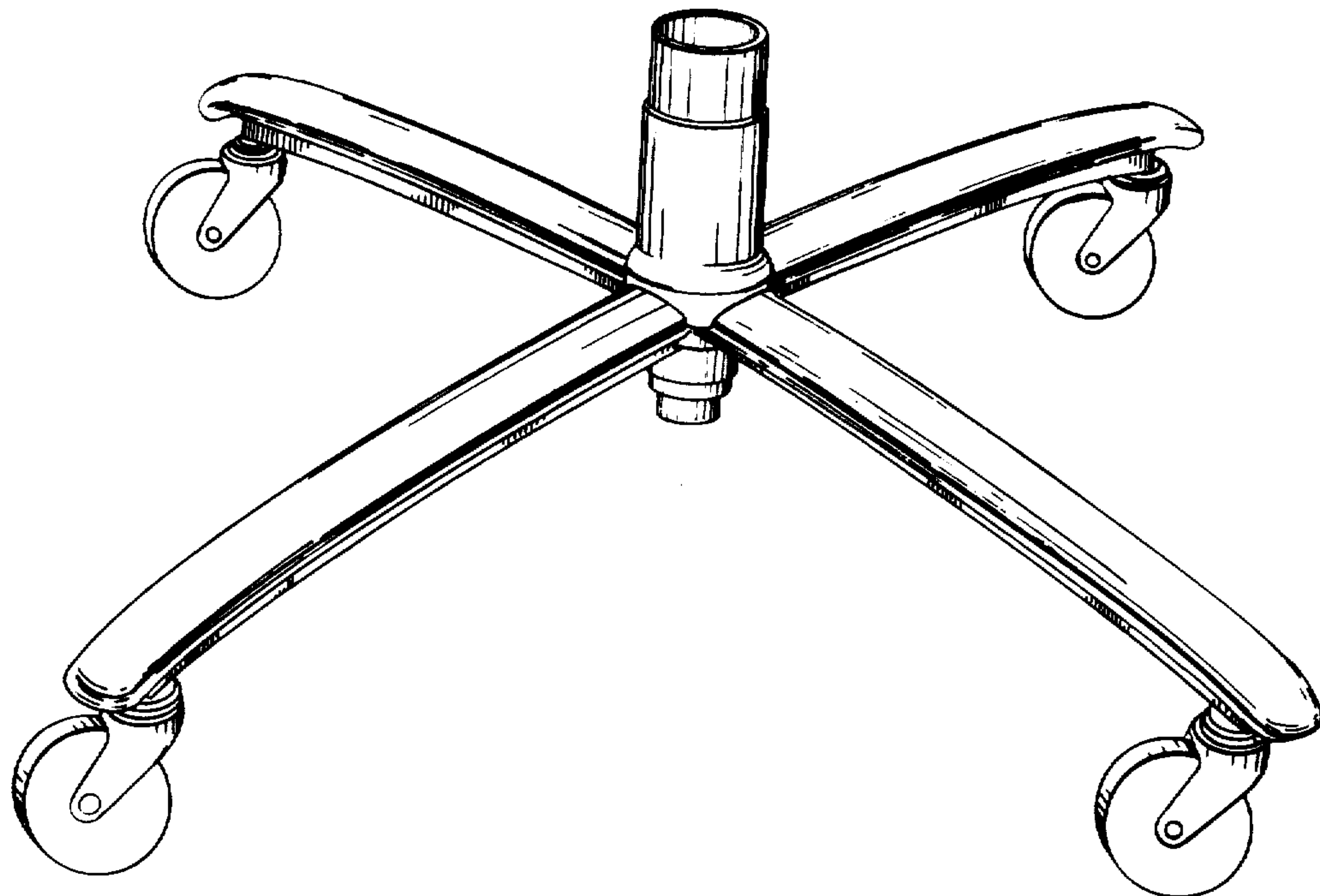
Primary Examiner—Bruce W. Dunkins
Attorney, Agent, or Firm—Price, Heneveld, Huizenga & Cooper

[57] **CLAIM**

The ornamental design for chair base, substantially as shown.

DESCRIPTION

FIG. 1 is a perspective view of a chair base made in accordance with the design of my invention;
 FIG. 2 is a side elevational view of the chair base;
 FIG. 3 is a side elevational view of the chair base rotated 45° from the showing in FIG. 2;
 FIG. 4 is a top plan view of the chair base with one arm broken away for convenience;
 FIG. 5 is a bottom plan view of the chair base;
 FIG. 6 is a cross-sectional view taken along plane VI—VI of FIG. 4;
 FIG. 7 is a perspective view of an alternative embodiment of my design employing five base arms instead of four;
 FIG. 8 is a perspective view of an alternative embodiment of my design;
 FIG. 9 is a side elevational view of the alternative embodiment;
 FIG. 10 is a side elevational view of the alternative embodiment rotated 45° from the showing in FIG. 9; and
 FIG. 11 is a cross-sectional view taken along plane XI—XI of FIG. 8.



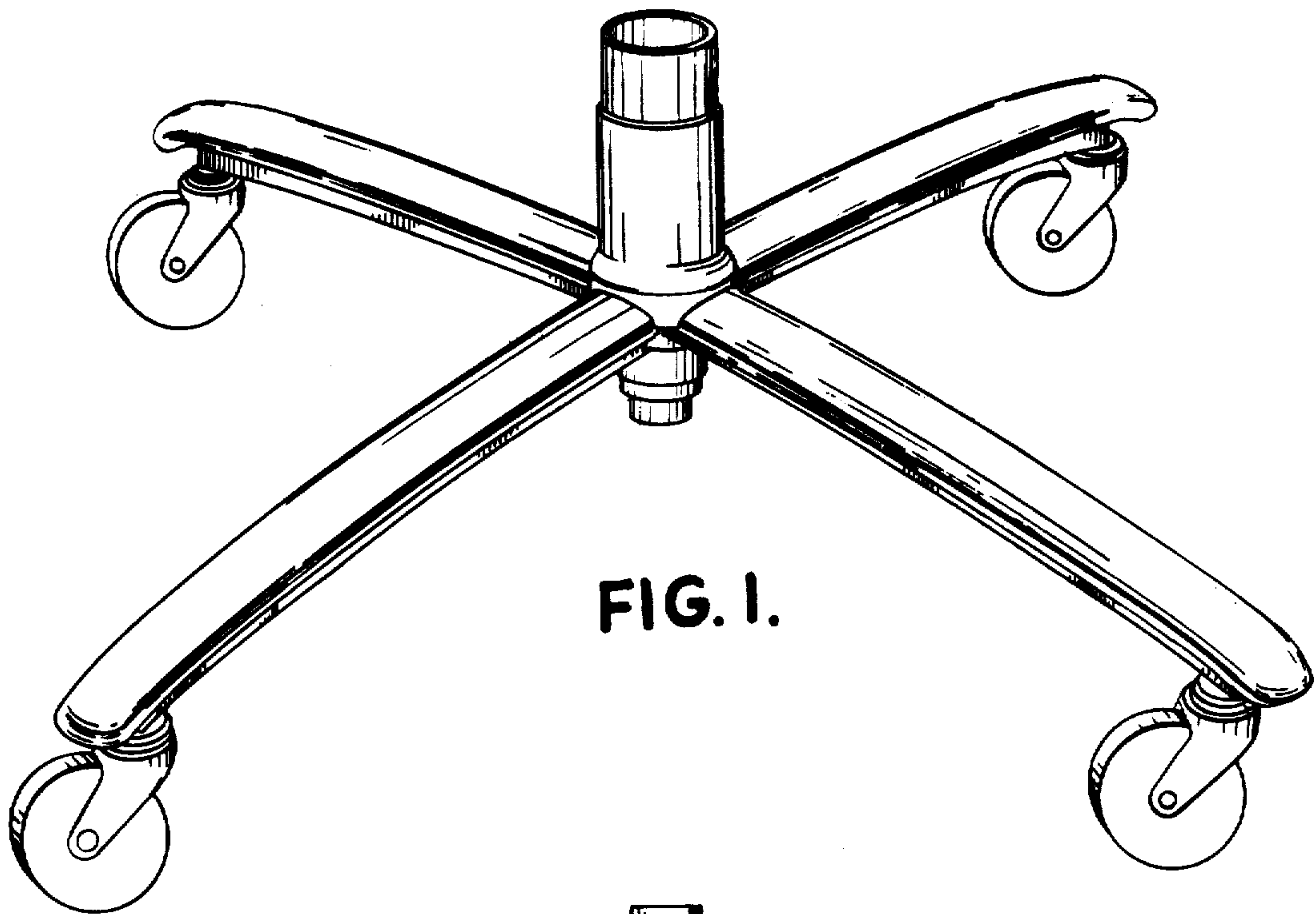


FIG. 1.

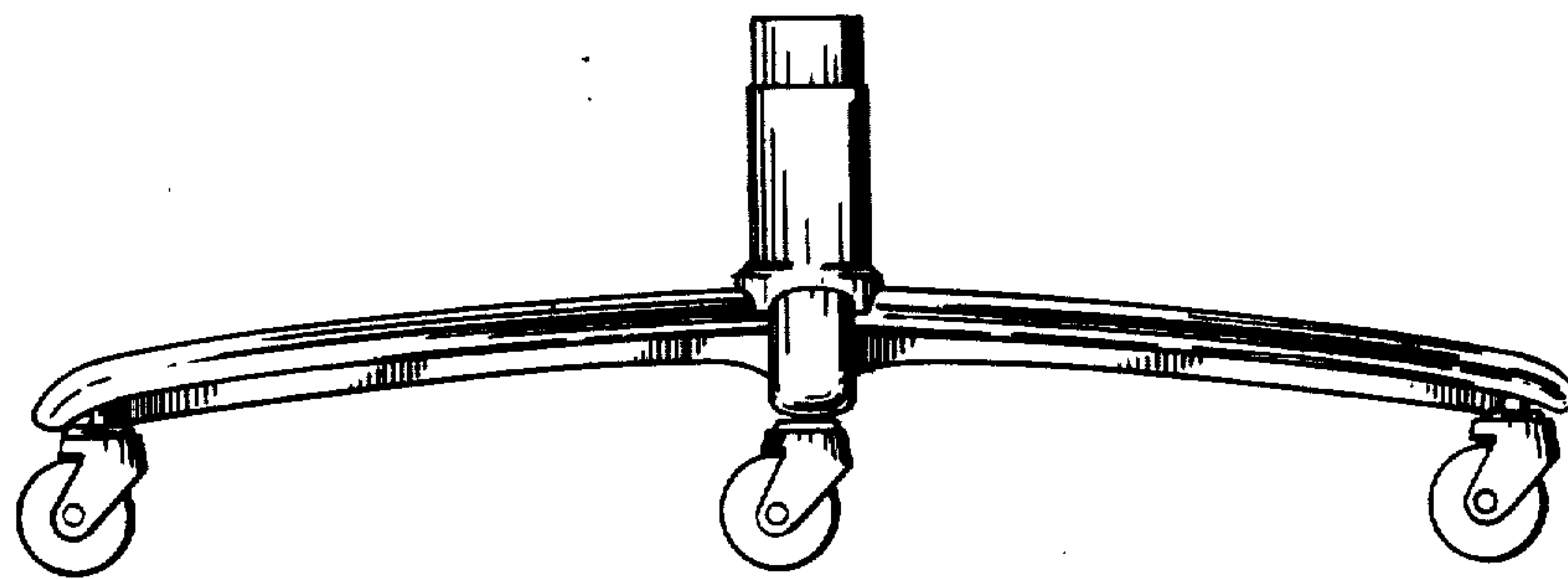


FIG. 2.

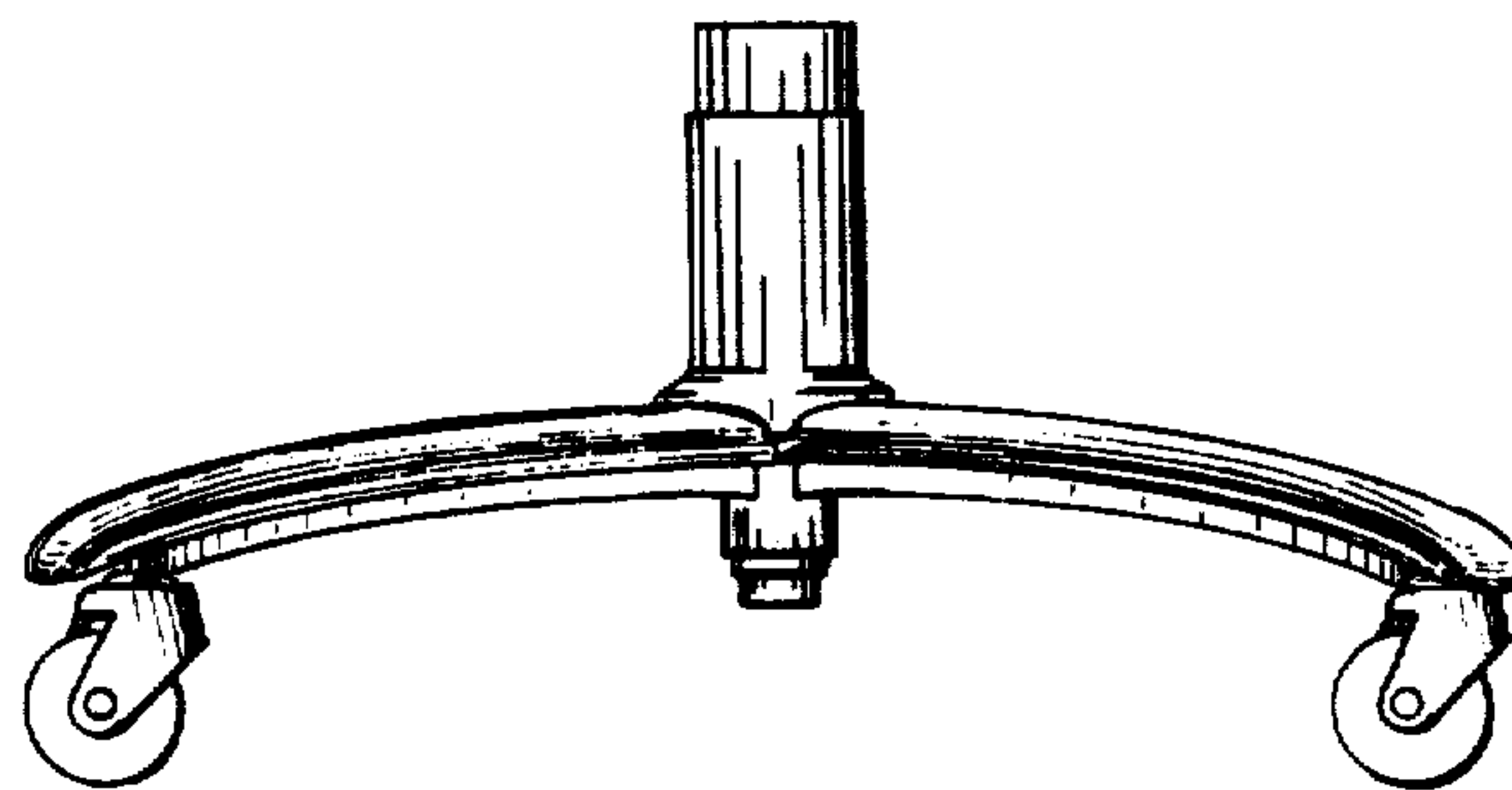


FIG. 3.

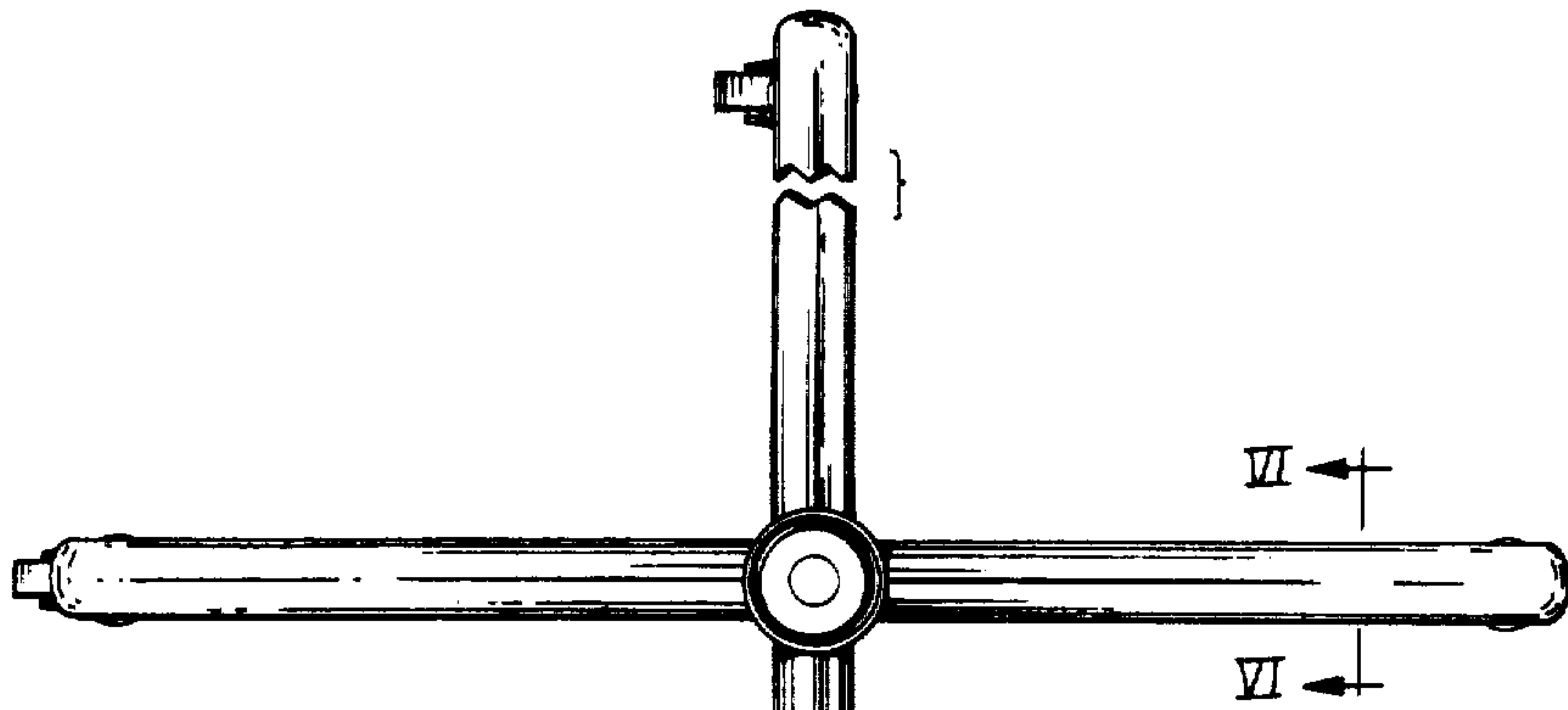


FIG. 4.

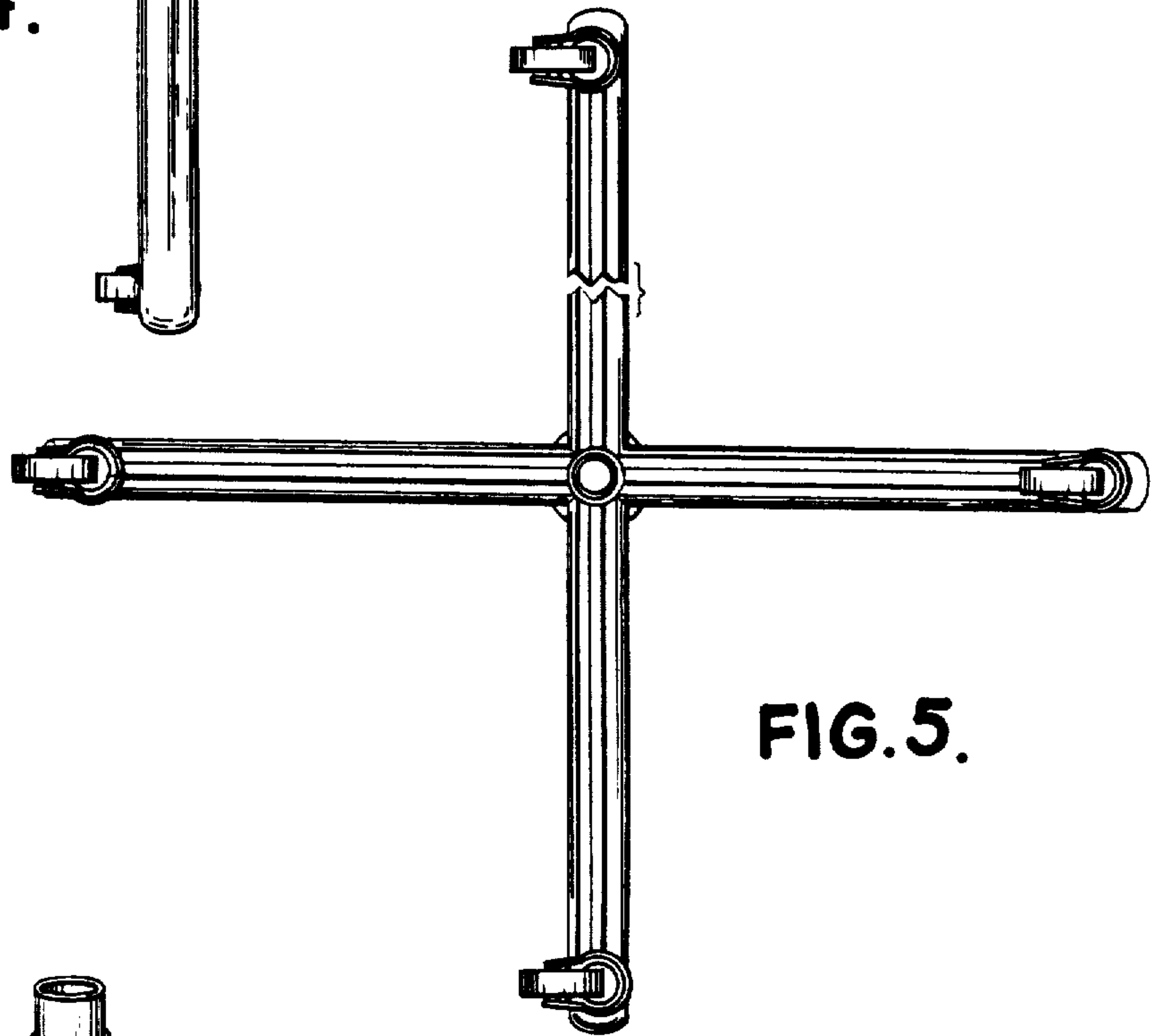


FIG. 5.

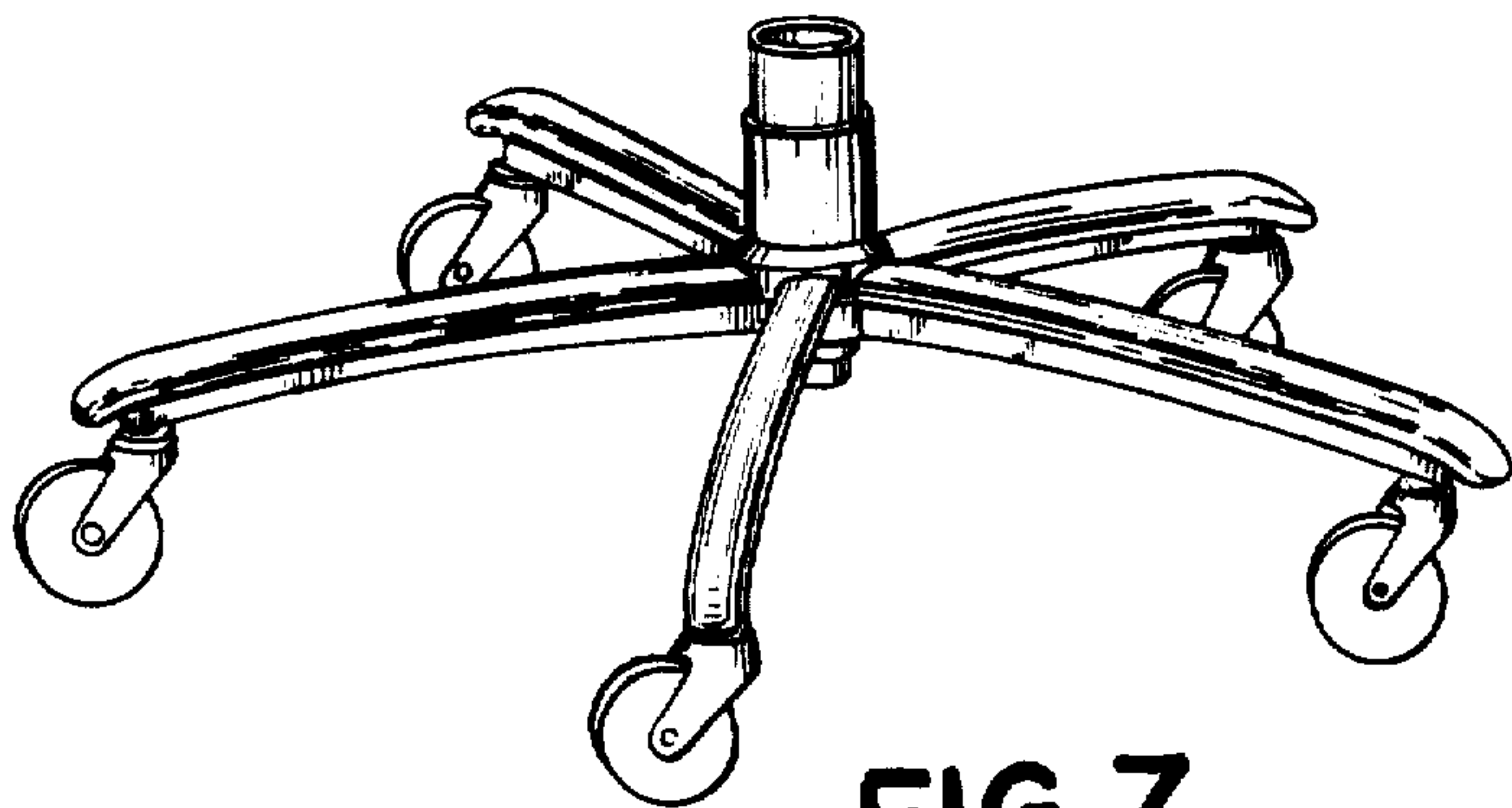


FIG. 7.

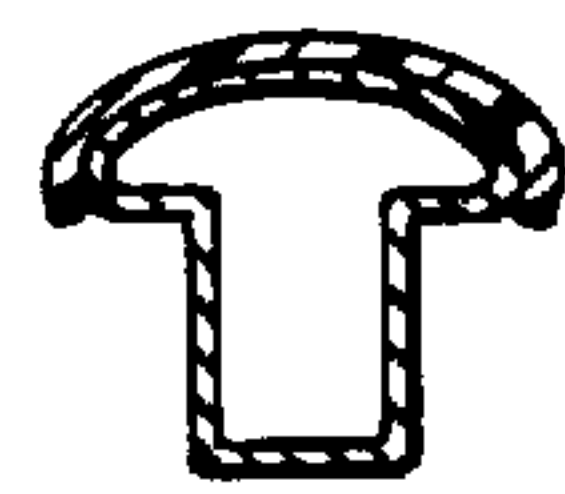


FIG. 6.

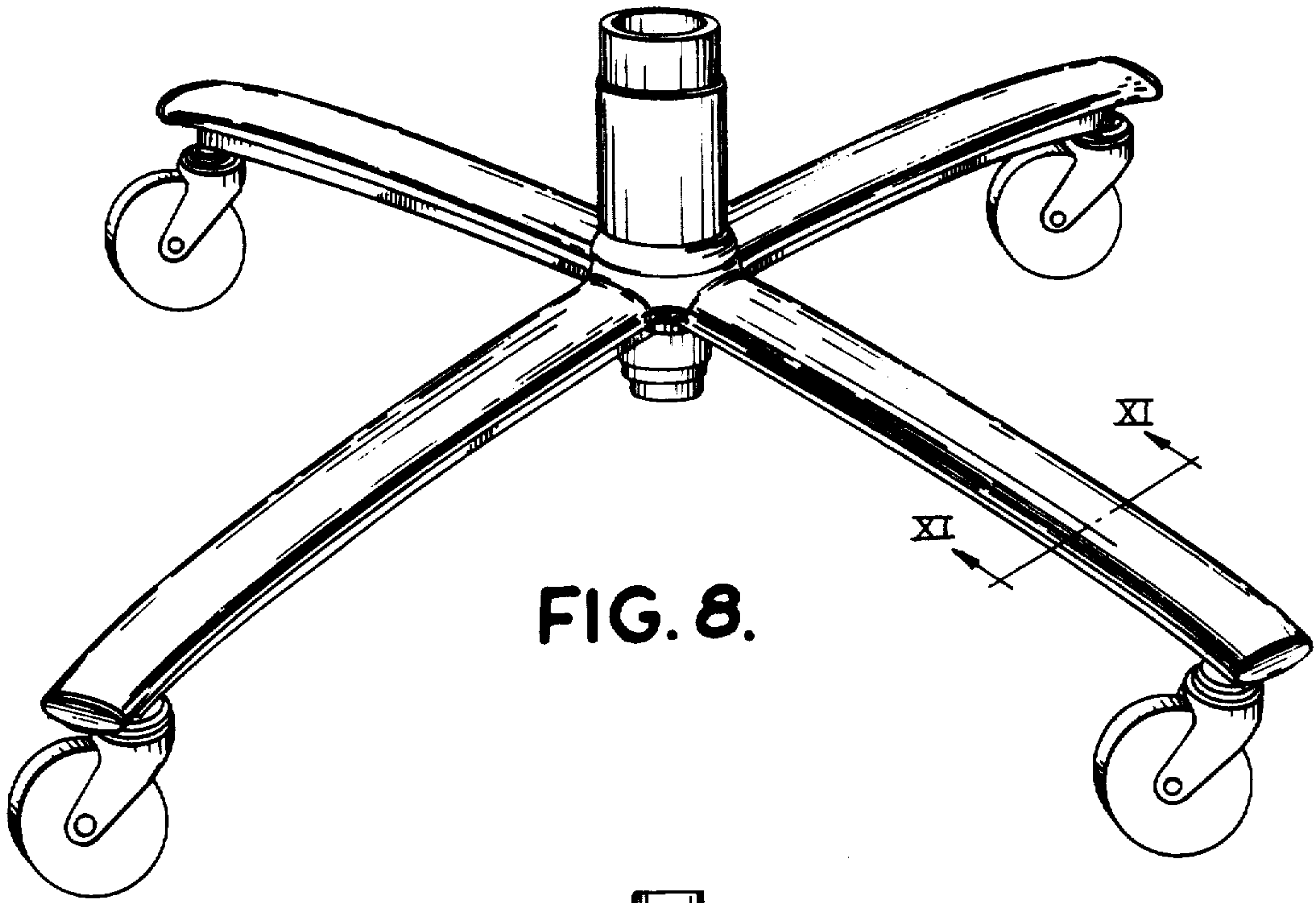


FIG. 8.

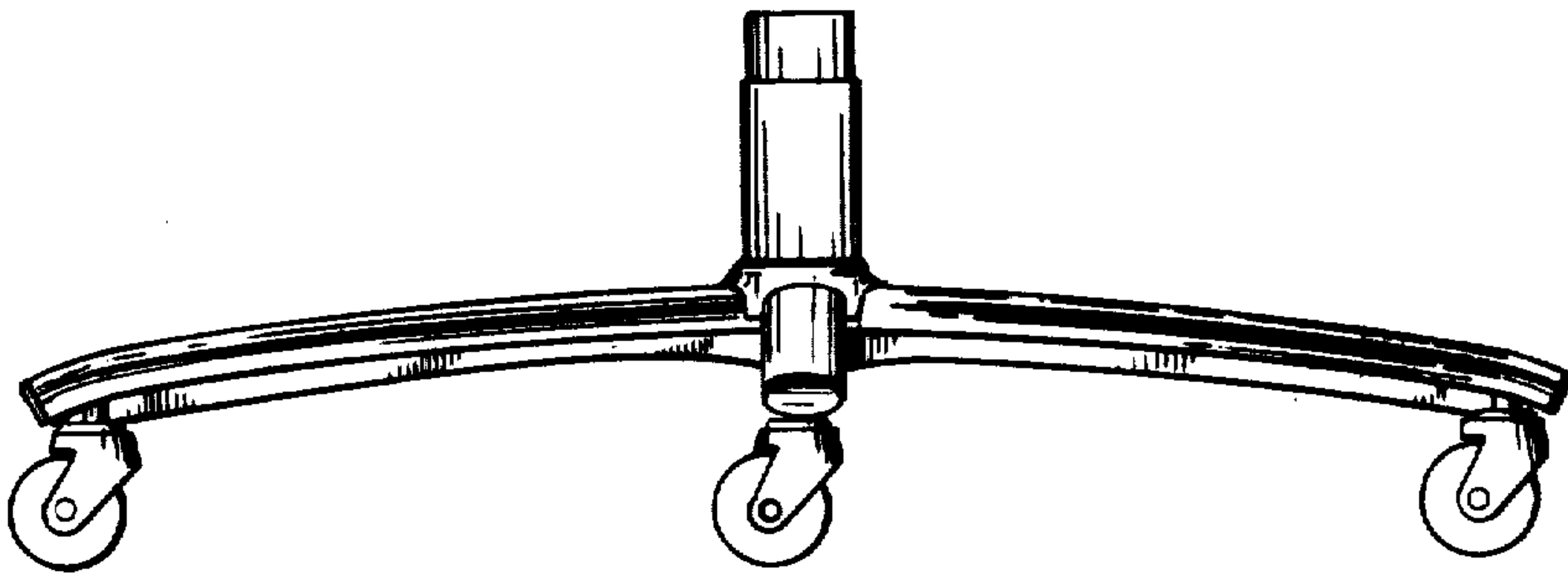


FIG. 9.

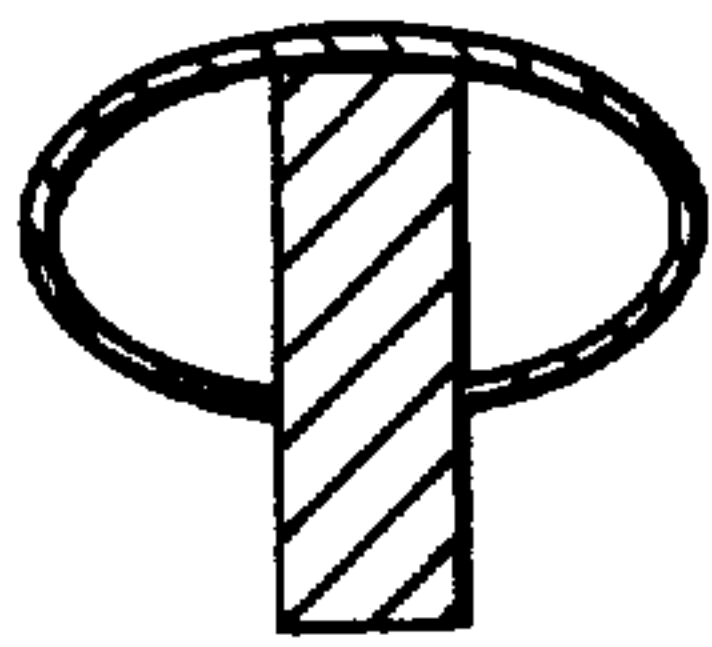


FIG. 11.

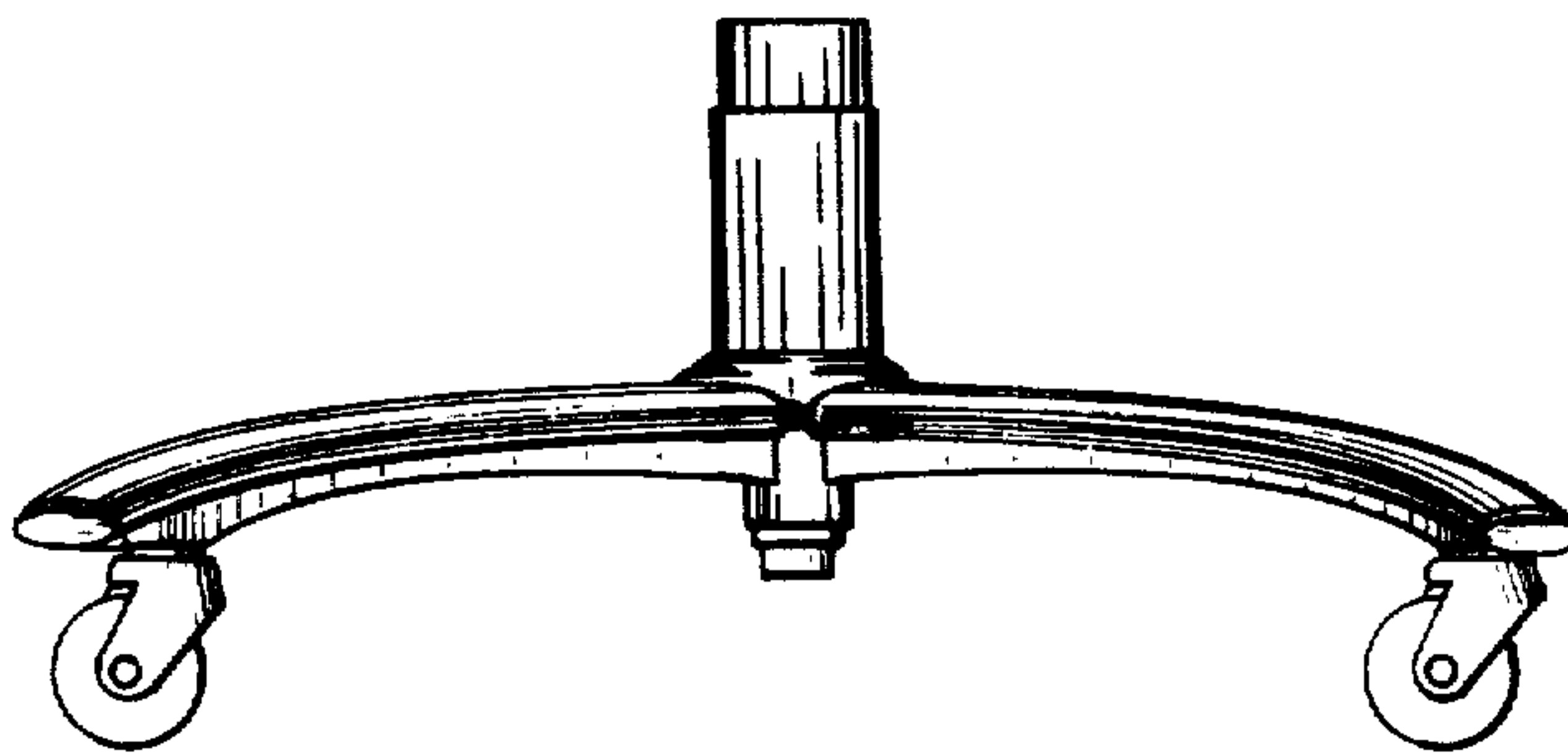


FIG. 10.