

[54] **COMBINED COMB AND CASE**
 [76] **Inventor:** Loyal E. Williams, 20817 SW.
 Alexander, Aloha, Oreg. 97005
 [**] **Term:** 14 Years
 [21] **Appl. No.:** 72,339
 [22] **Filed:** Sep. 4, 1979
 [51] **Int. Cl.** D28-03
 [52] **U.S. Cl.** D28/22; D28/25
 [58] **Field of Search** D28/21, 22, 25, 30-32,
 D28/34; 132/11 R, 103, 143, 148-150, 159,
 DIG. 1, 112-116; D11/157

D. 248,936 8/1978 Lohan D11/157
 2,041,960 5/1936 Rioux 132/103
 4,013,086 3/1977 Chmela D28/30 X

Primary Examiner—Louis S. Zarfes
Attorney, Agent, or Firm—Morris A. Case

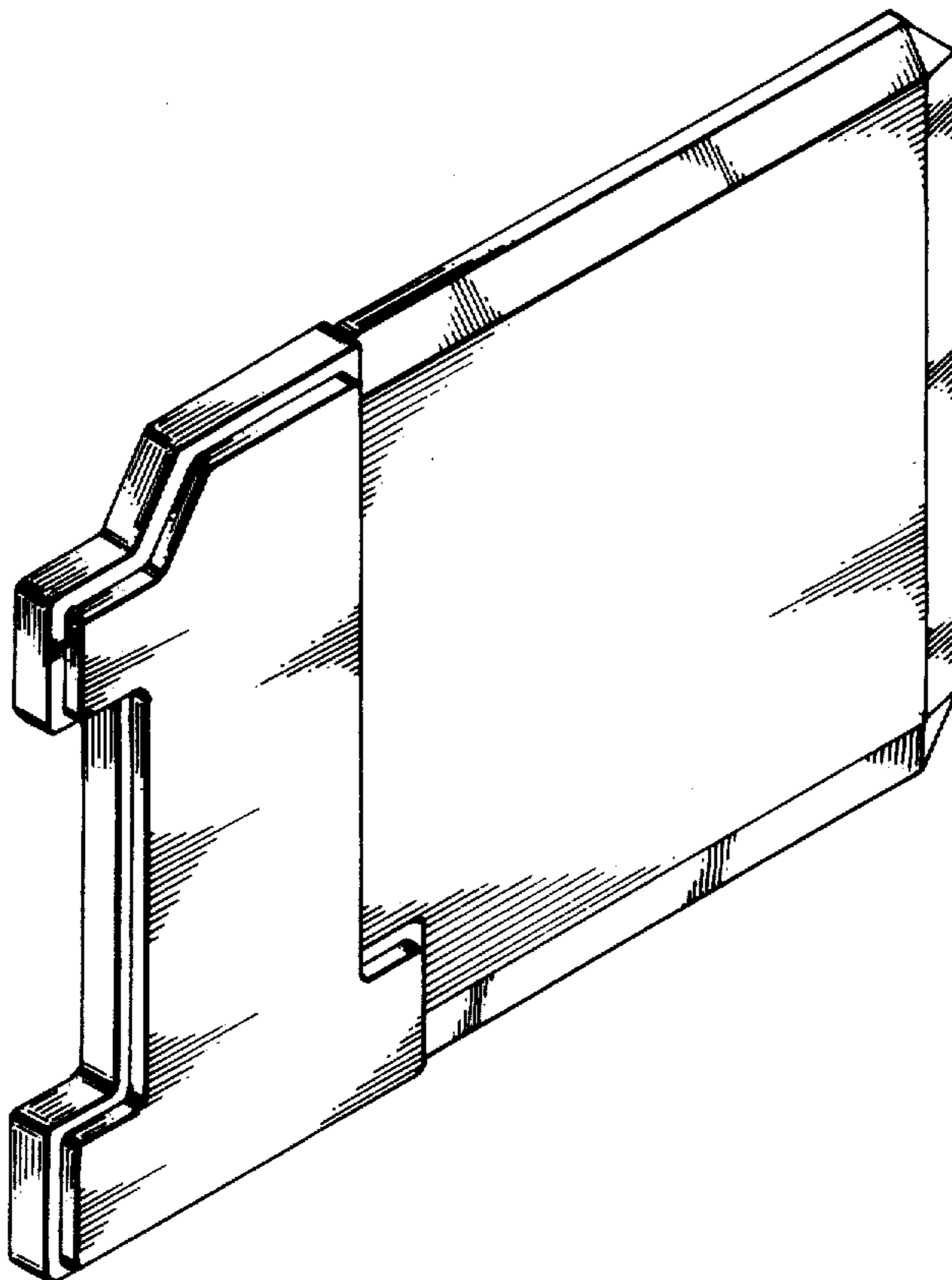
[57] **CLAIM**

The ornamental design for a combined comb and case, as shown and described.

DESCRIPTION

FIG. 1 is a perspective view of a combined comb and case showing my new design;
 FIG. 2 is a right side elevational view thereof;
 FIG. 3 is a top plan view thereof;
 FIG. 4 is a bottom plan view thereof;
 FIG. 5 is a front elevational view thereof;
 FIG. 6 is a rear elevational view thereof; and
 FIG. 7 is a left side elevational view thereof.

[56] **References Cited**
U.S. PATENT DOCUMENTS
 D. 225,474 12/1972 Brooks D28/25
 D. 229,984 1/1974 Brooks D28/25



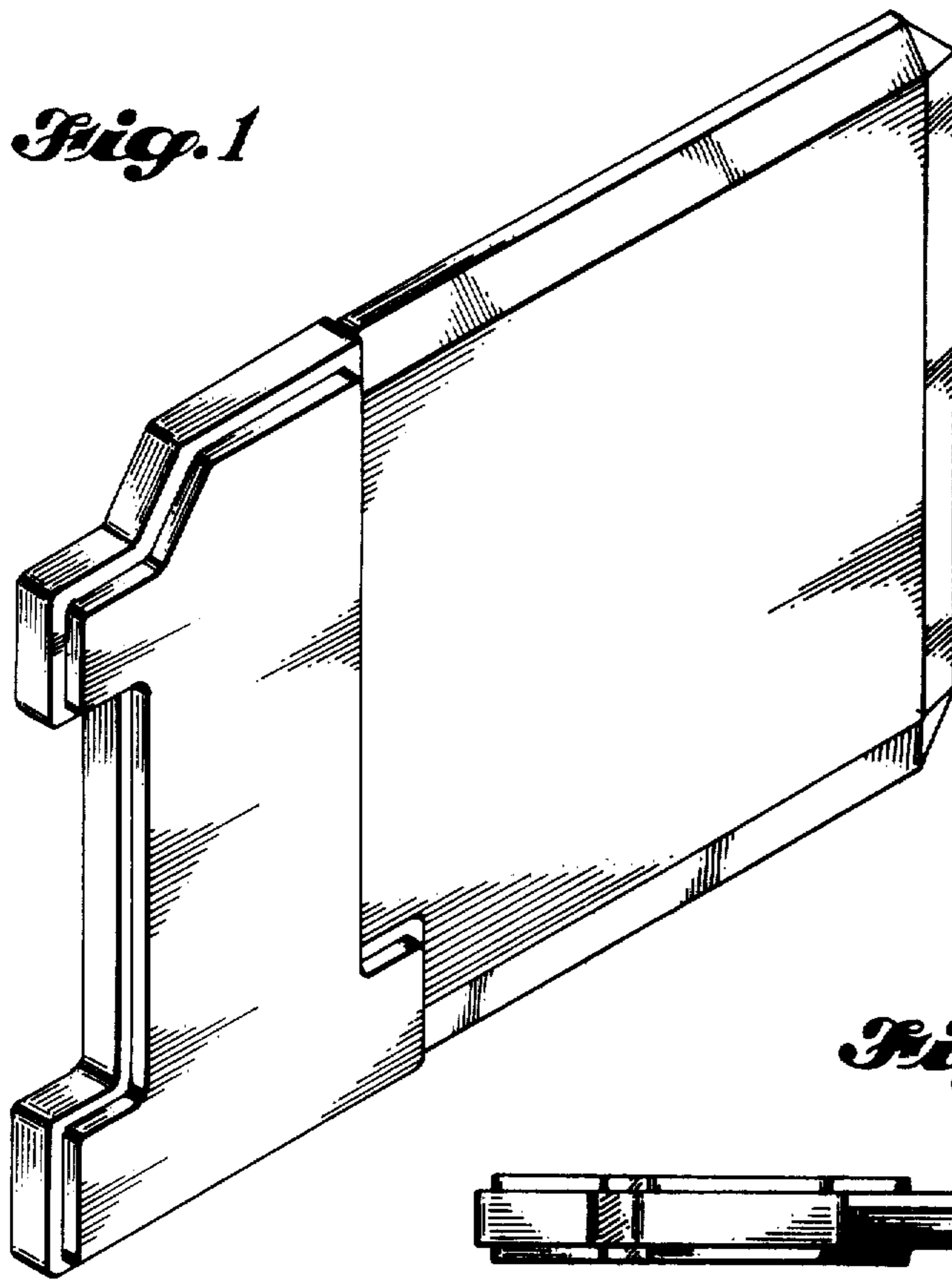


Fig. 3

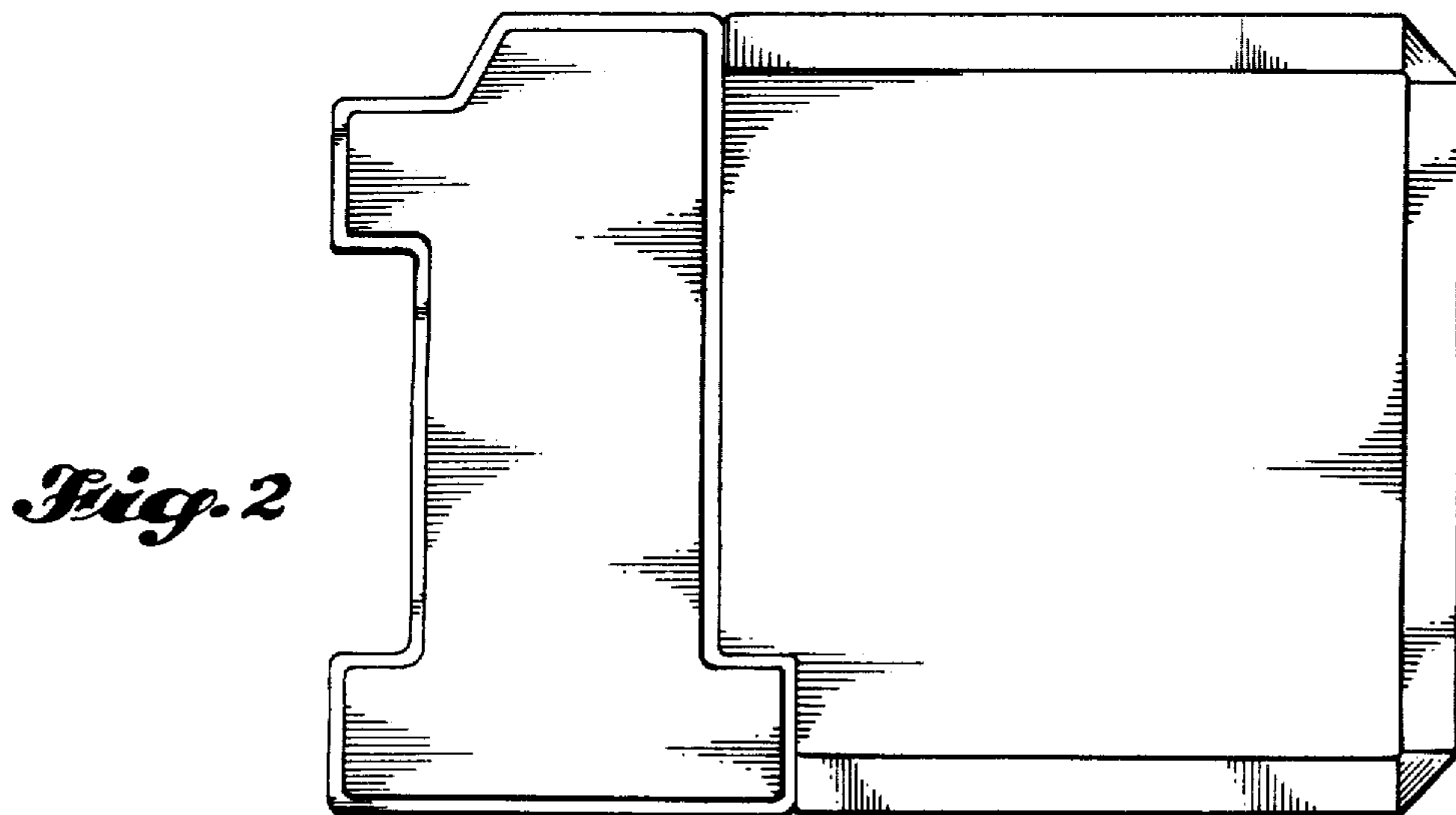
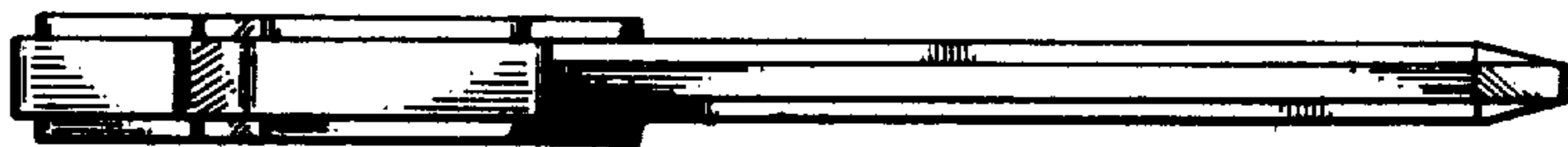


Fig. 4



Fig. 7

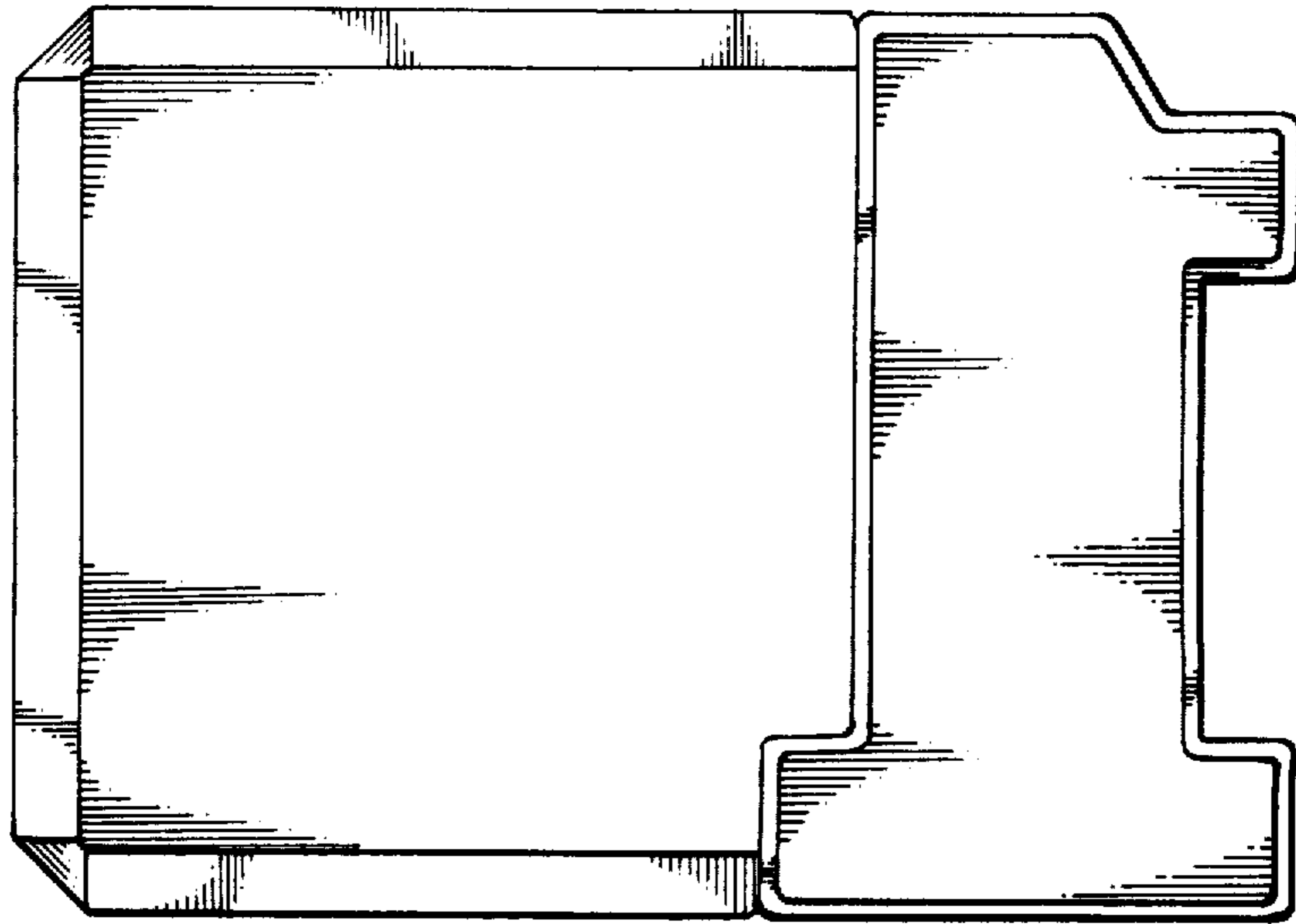


Fig. 5



Fig. 6

