

[54] HAIR DRYER ATTACHMENT

[76] Inventor: Frederic V. Winkler, 14713 Waterway Dr., Rockville, Md. 20853

[**] Term: 14 Years

[21] Appl. No.: 893,971

[22] Filed: Apr. 6, 1978

[51] Int. Cl. D28-03

[52] U.S. Cl. D28/18; D28/12; D28/13

[58] Field of Search D28/10, 38, 12-18; 34/96-101; D23/43, 45; 132/36 R, 36 C, 9

[56] References Cited

U.S. PATENT DOCUMENTS

538,826 5/1895 Foglesong 34/101 X

2,003,611 6/1935 Santurello 132/36 C
2,528,335 10/1950 Bottorf 34/96

Primary Examiner—Donald B. Moyer
Attorney, Agent, or Firm—Sixbey, Friedman & Leedom

[57] CLAIM

The ornamental design for a hair dryer attachment, as shown.

DESCRIPTION

FIG. 1 is a perspective view showing my new design for a hair dryer attachment;

FIG. 2 is a side elevational view of a first transverse side;

FIG. 3 is a side elevational view of the transverse side opposite to FIG. 2;

FIG. 4 is a top plan view;

FIG. 5 is a bottom plan view; and

FIG. 6 is an end elevational view.

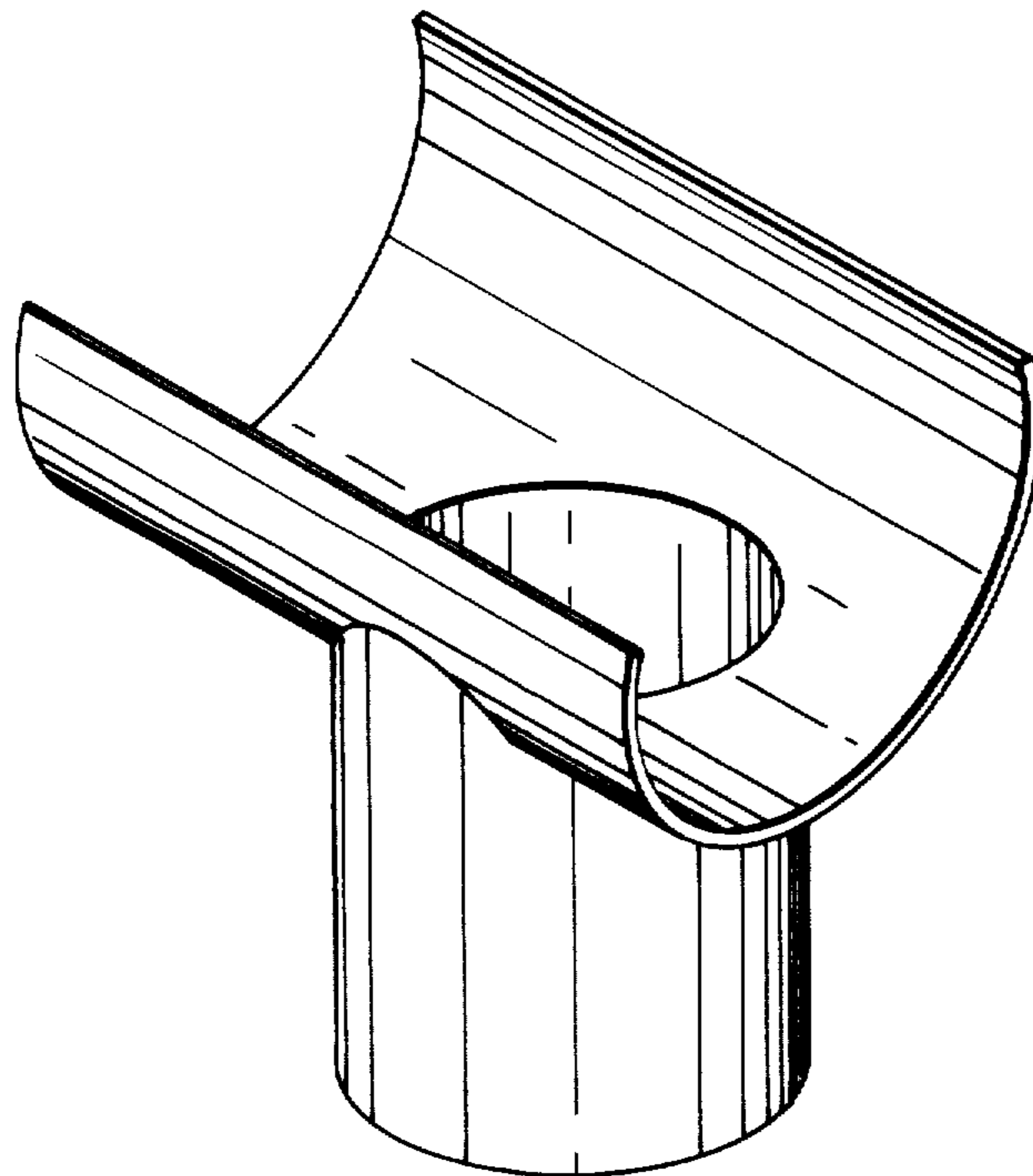


FIG. 1

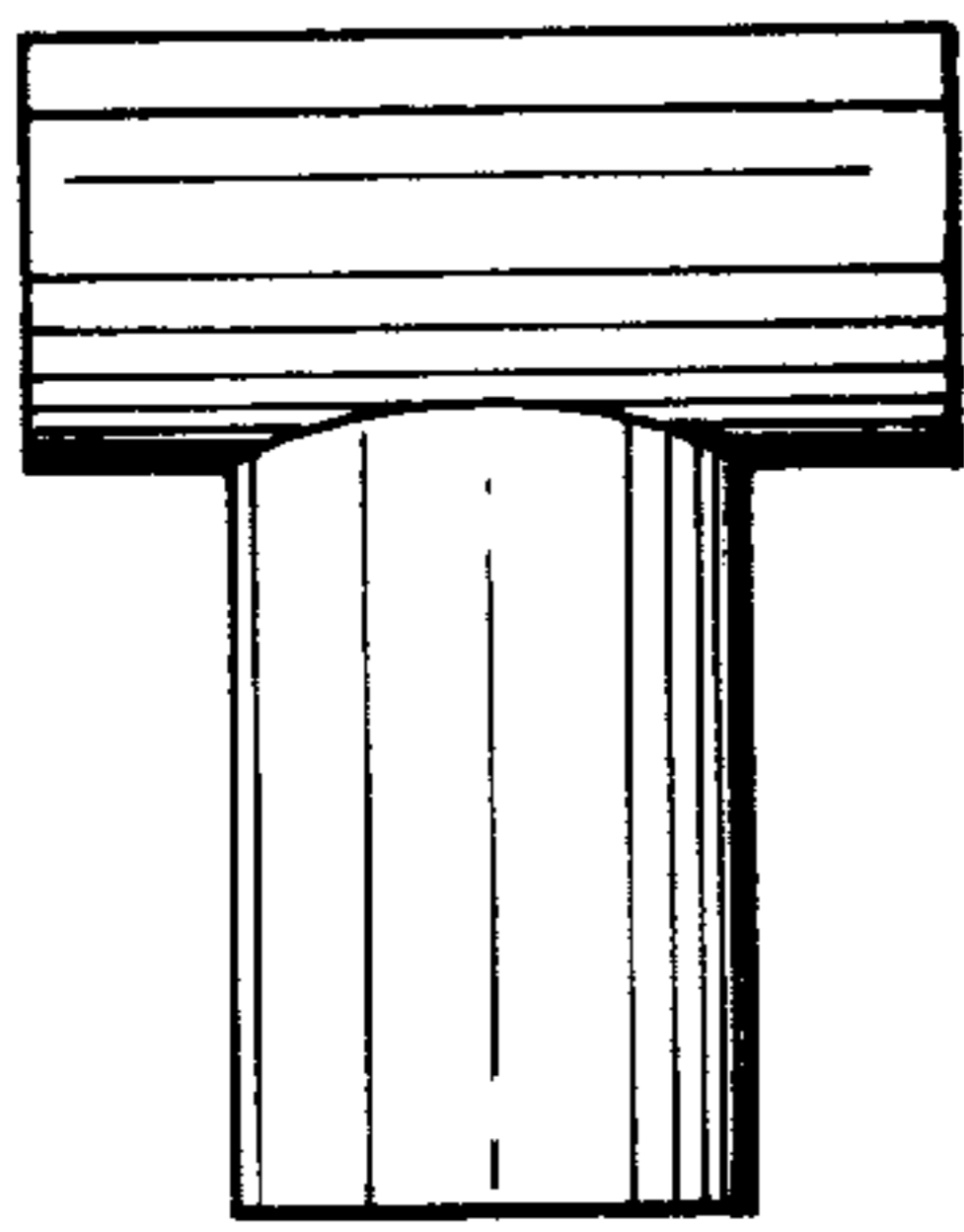
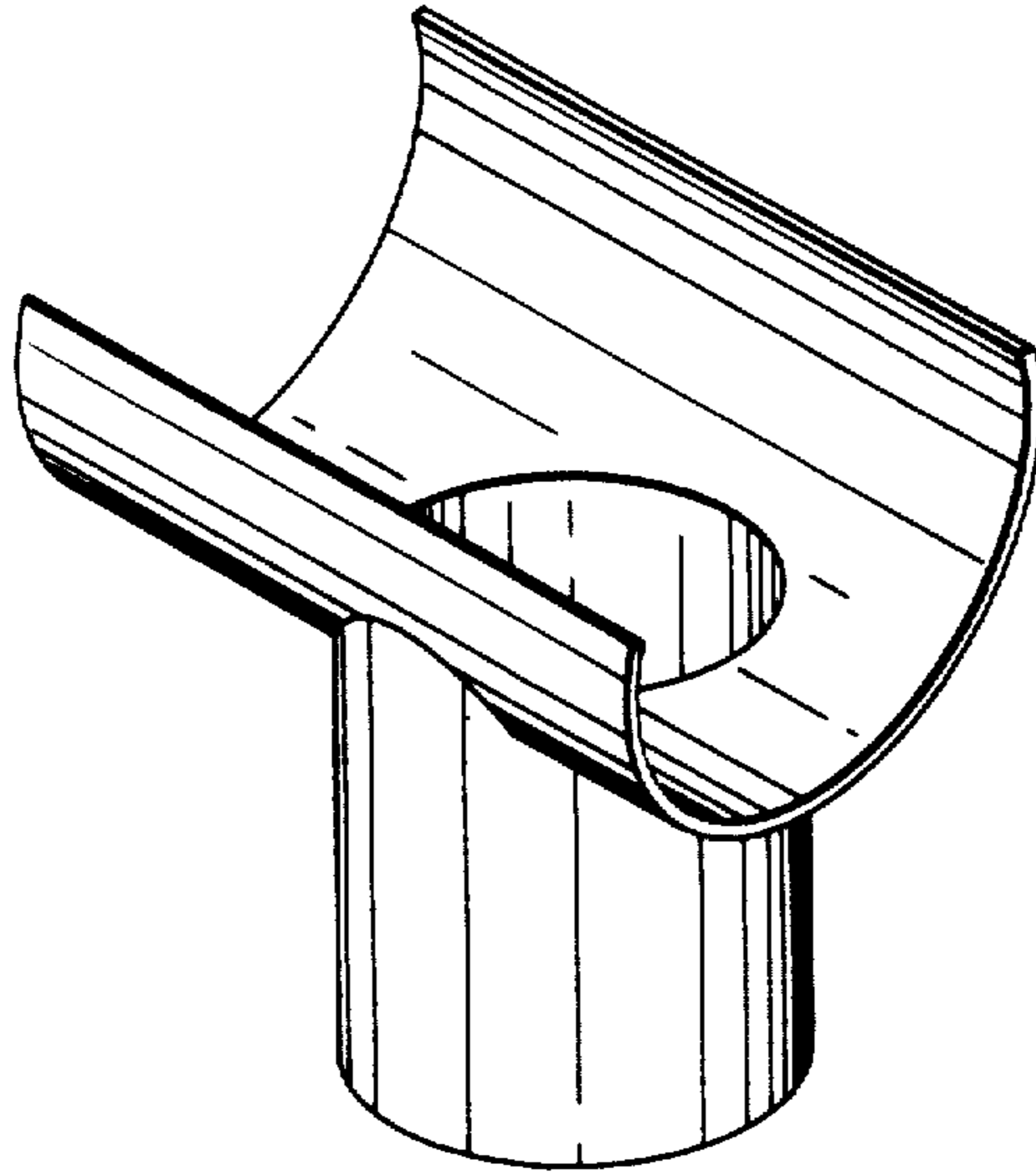


FIG. 2

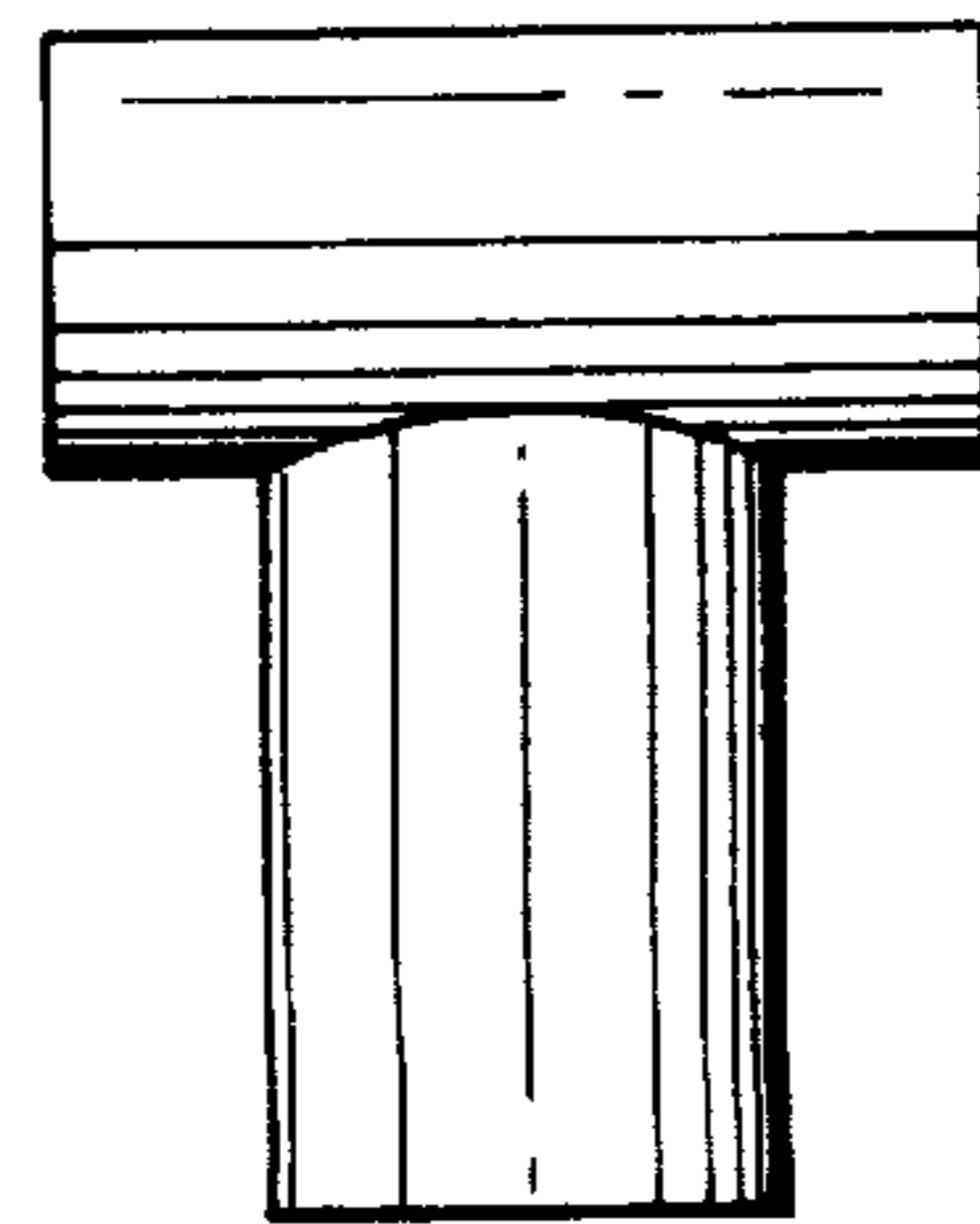


FIG. 3

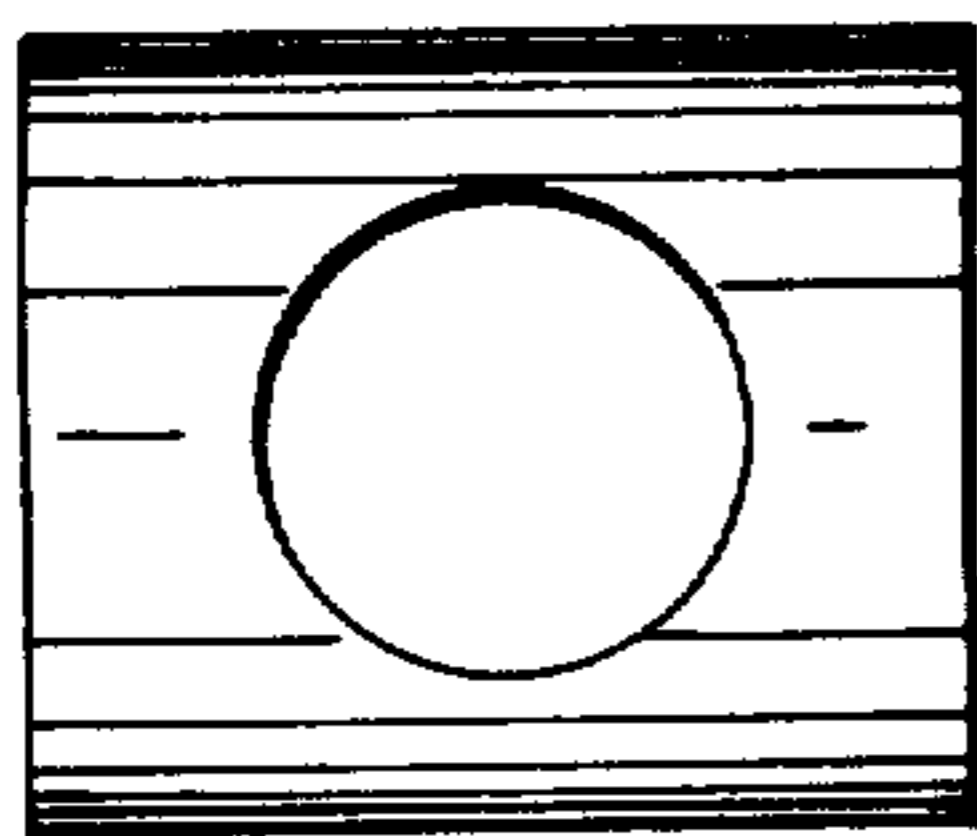


FIG. 4

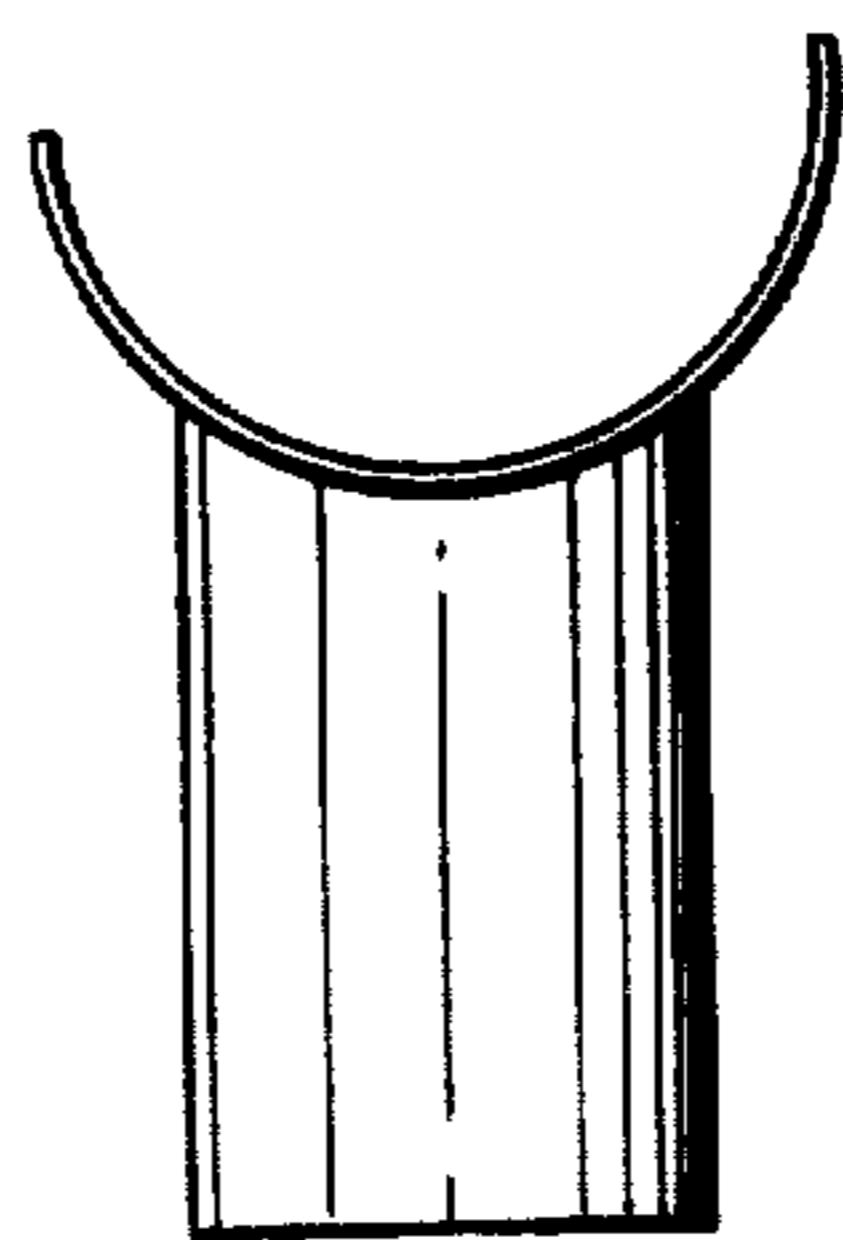


FIG. 6

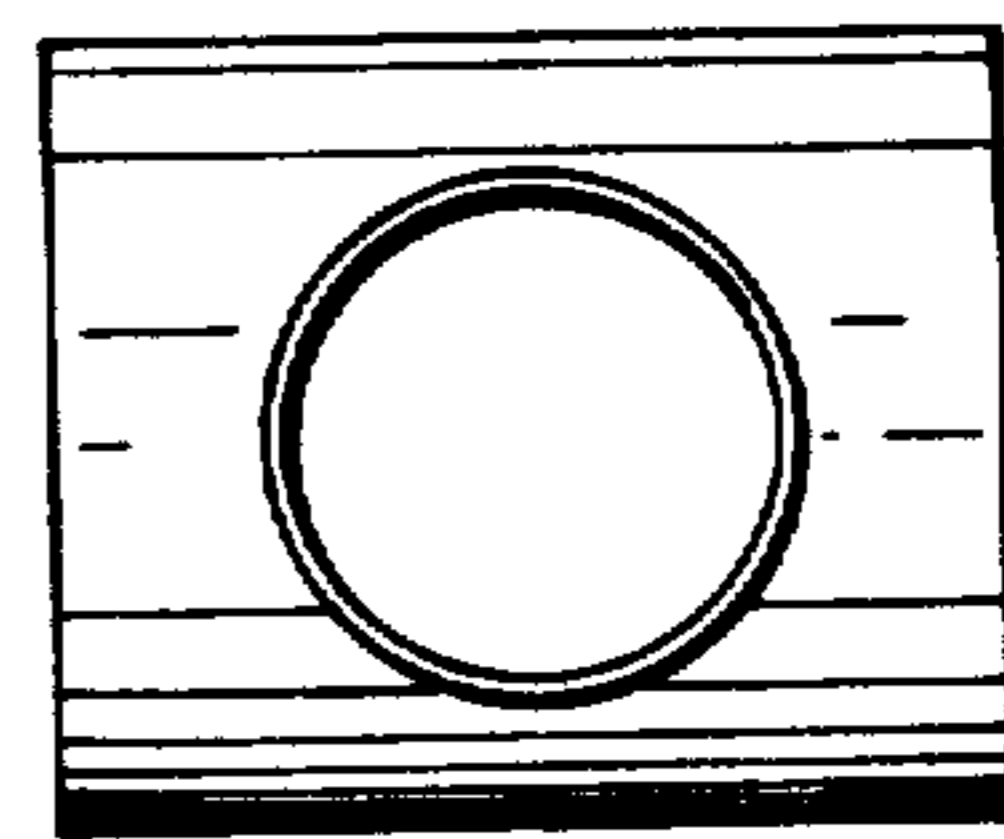


FIG. 5