

[54] **WINDOW COMPONENT EXTRUSION**

[76] **Inventor:** Raymond Dallaire, P.O. Box 220,  
Levis, Quebec, Canada

[\*\*] **Term:** 14 Years

[21] **Appl. No.:** 942,752

[22] **Filed:** Sep. 14, 1978

[30] **Foreign Application Priority Data**

Mar. 17, 1978 [CA] Canada ..... 17037814

[51] **Int. Cl.** ..... D25-01

[52] **U.S. Cl.** ..... D25/74; D25/52

[58] **Field of Search** ..... D25/73, 74, 75, 76,  
D25/47, 48, 52, 60, 61; 49/413, 504; 52/716,  
720-739

[56] **References Cited**

**U.S. PATENT DOCUMENTS**

D. 222,932 2/1972 Dallaire ..... D25/74 X  
D. 245,708 9/1977 Dallaire ..... D25/74  
D. 251,134 2/1979 Bancroft et al. .... D25/74

*Primary Examiner*—A. Hugo Word

*Attorney, Agent, or Firm*—Cushman, Darby & Cushman

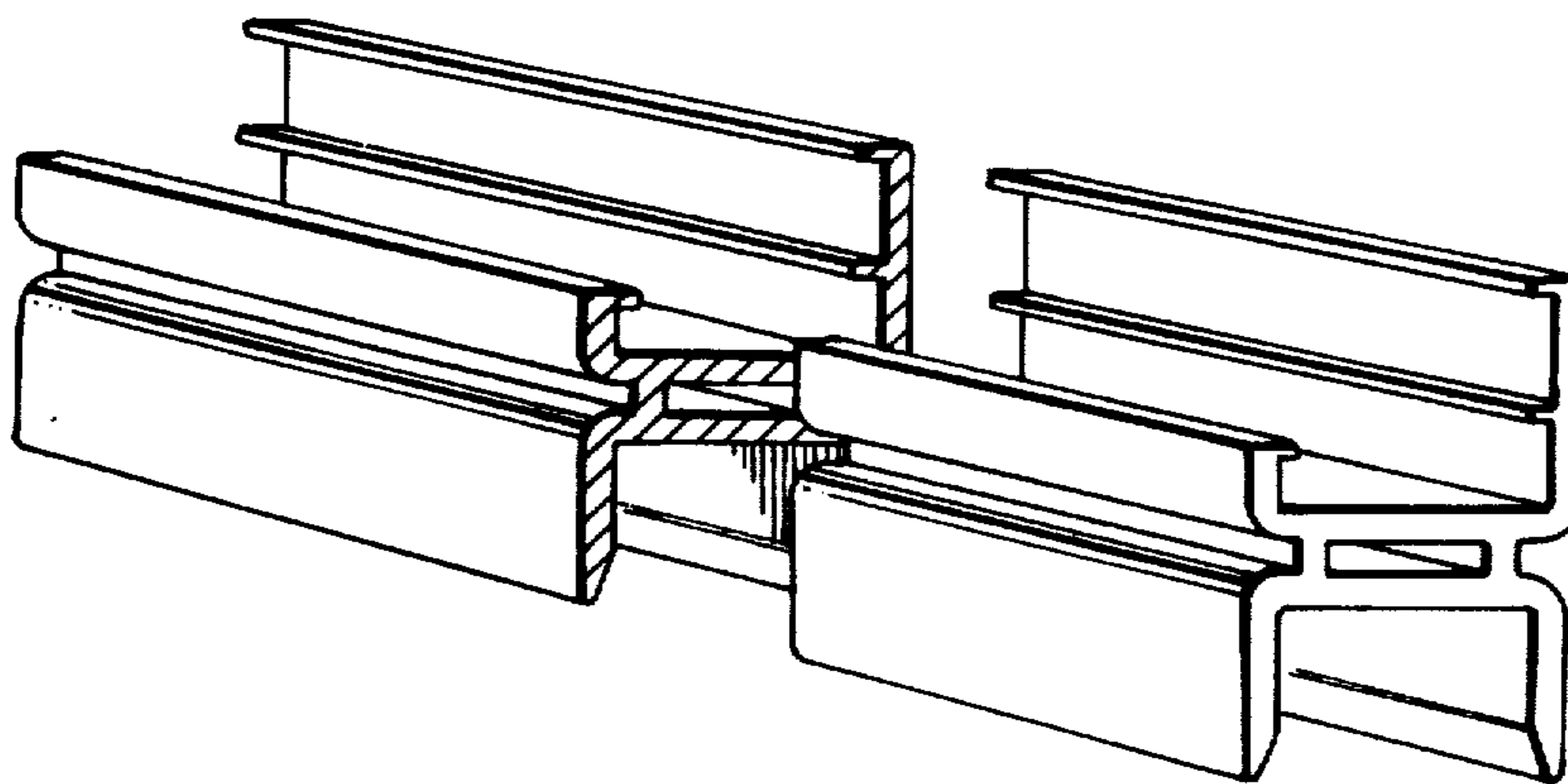
[57] **CLAIM**

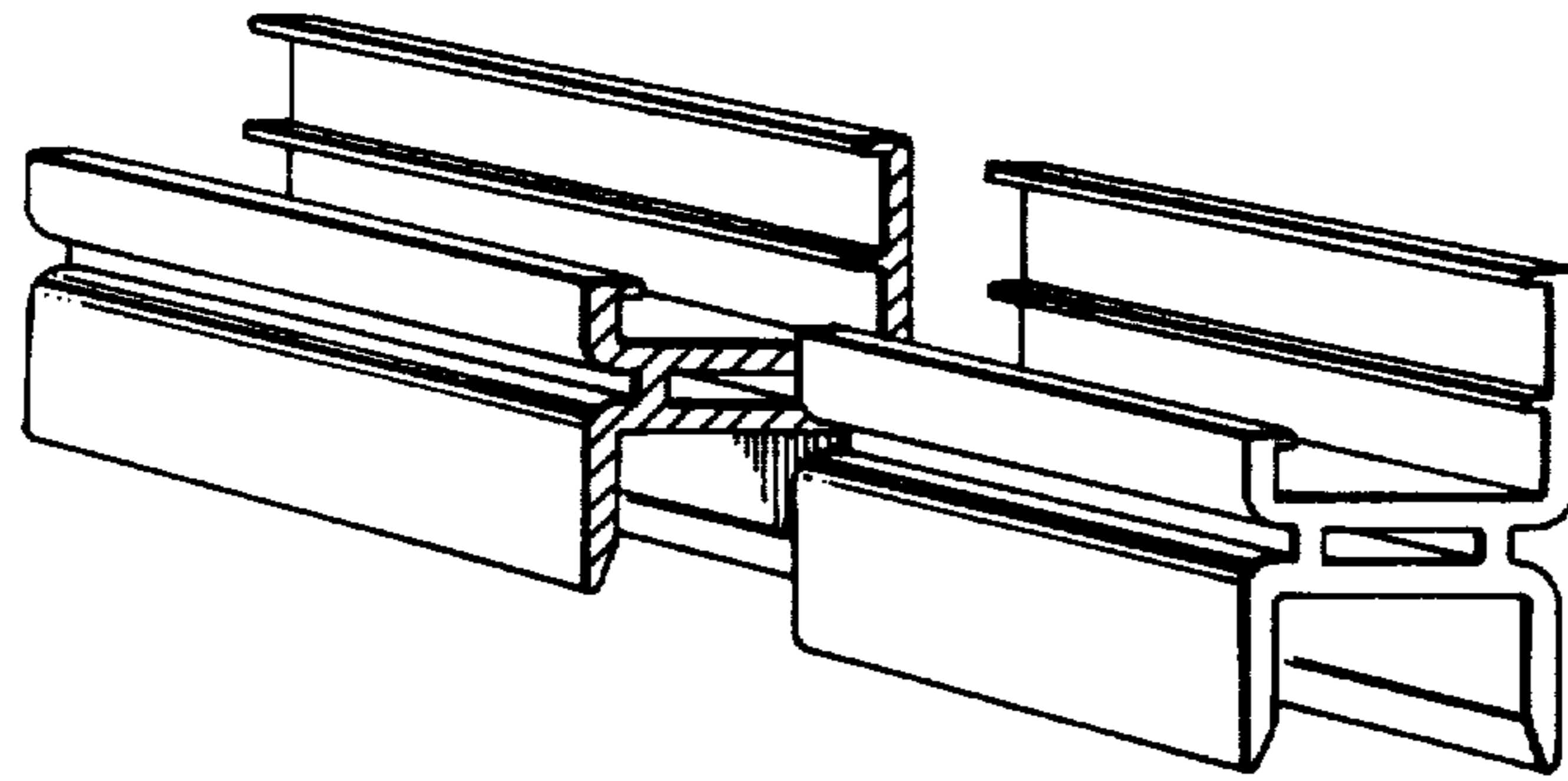
The ornamental design for a window component extrusion, as shown.

**DESCRIPTION**

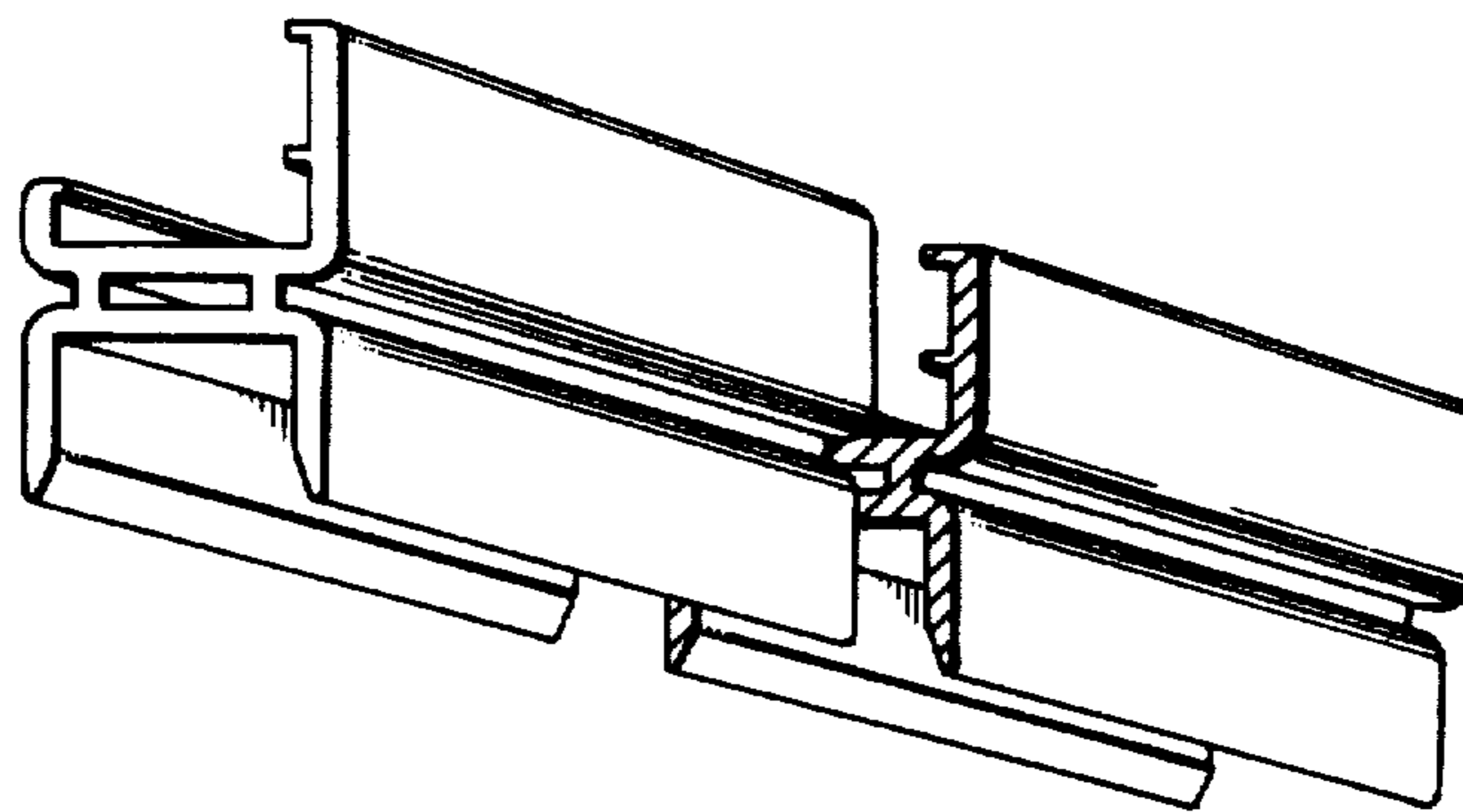
FIG. 1 is a broken perspective of one side of the extrusion, and

FIG. 2 is a corresponding broken perspective from the opposite side of the extrusion compared to FIG. 1.





*FIG. 1*



*FIG. 2*