

[54] WINDOW COMPONENT EXTRUSION

[76] Inventor: Raymond Dallaire, P.O. Box 220, Levis, Quebec, Canada

[**] Term: 14 Years

[21] Appl. No.: 942,391

[22] Filed: Sep. 14, 1978

[30] Foreign Application Priority Data

Mar. 17, 1978 [CA] Canada 1703782

[51] Int. Cl. D25-01

[52] U.S. Cl. D25/74; D25/52

[58] Field of Search D25/47, 48, 52, 60, D25/61, 73, 74, 75, 76; 49/413, 504; 52/716, 720-739

[56]

References Cited

U.S. PATENT DOCUMENTS

D. 162,843	4/1951	Klein	D25/74
D. 162,844	4/1951	Klein	D25/74
D. 243,680	3/1977	Dallaire	D25/74
D. 251,134	2/1979	Bancroft et al.	D25/74

Primary Examiner—A. Hugo Word

Attorney, Agent, or Firm—Cushman, Darby & Cushman

[57]

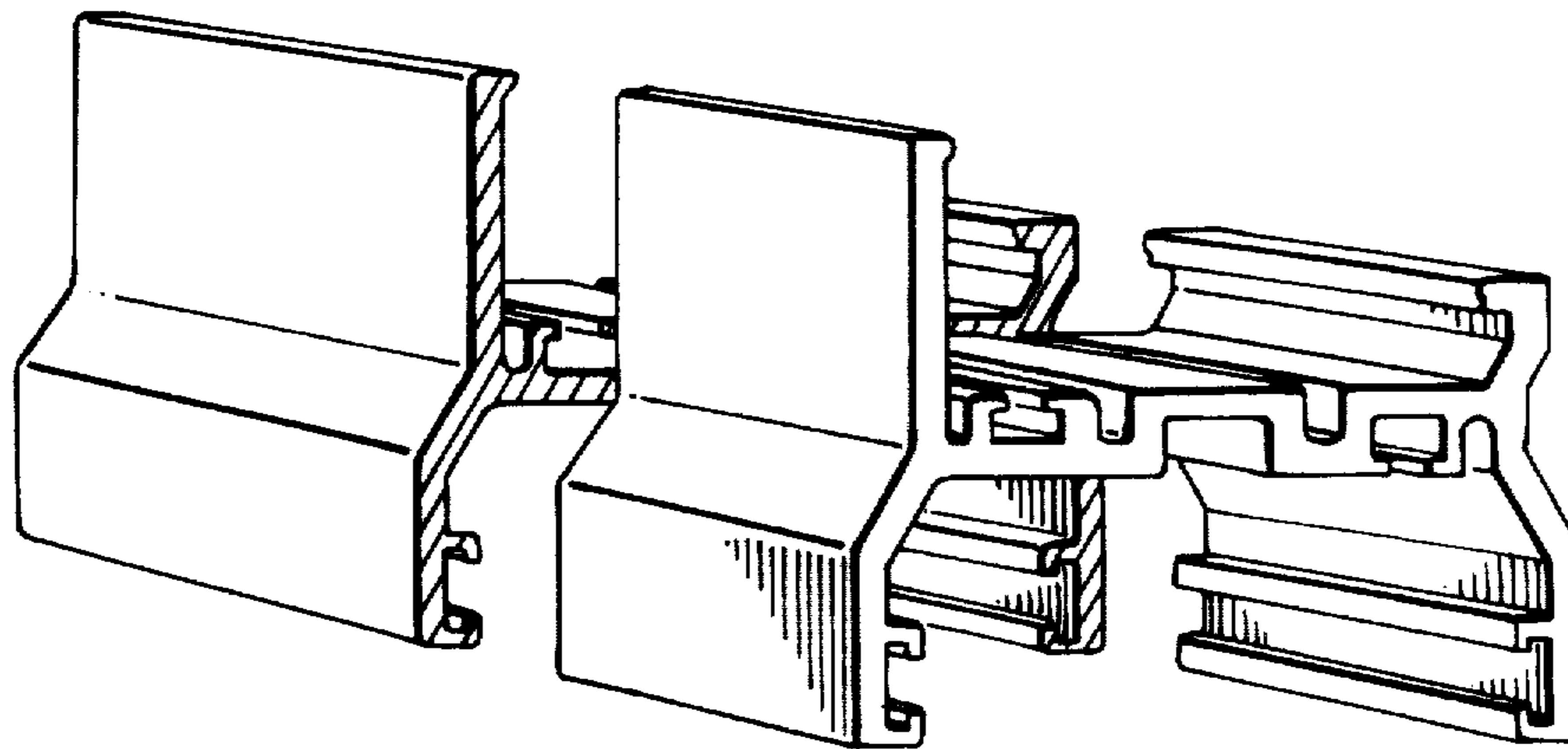
CLAIM

The ornamental design for a window component extrusion, as shown.

DESCRIPTION

FIG. 1 is a broken perspective of one side of the extrusion, and

FIG. 2 is a corresponding broken perspective from the opposite side of the extrusion compared to FIG. 1.



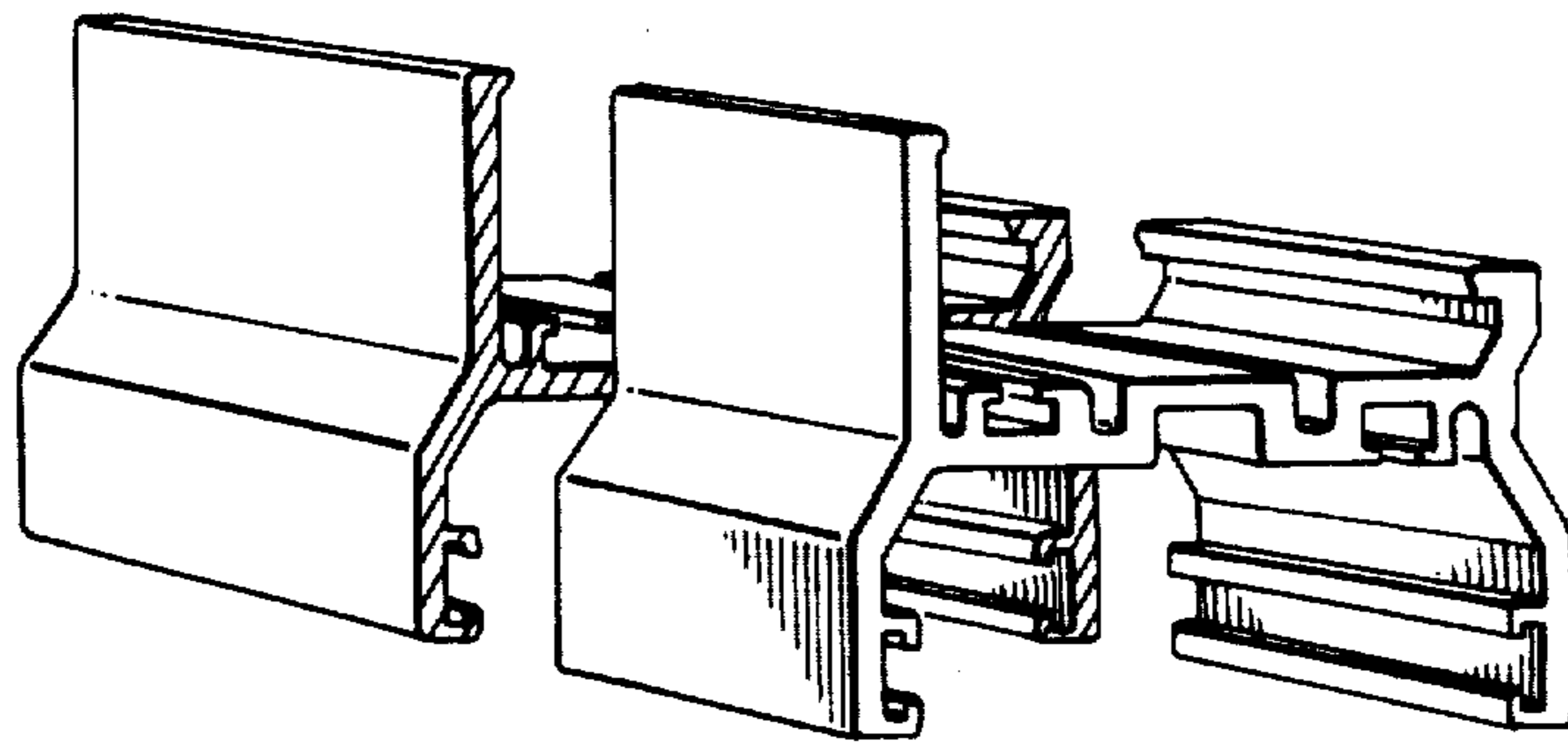


FIG. 1

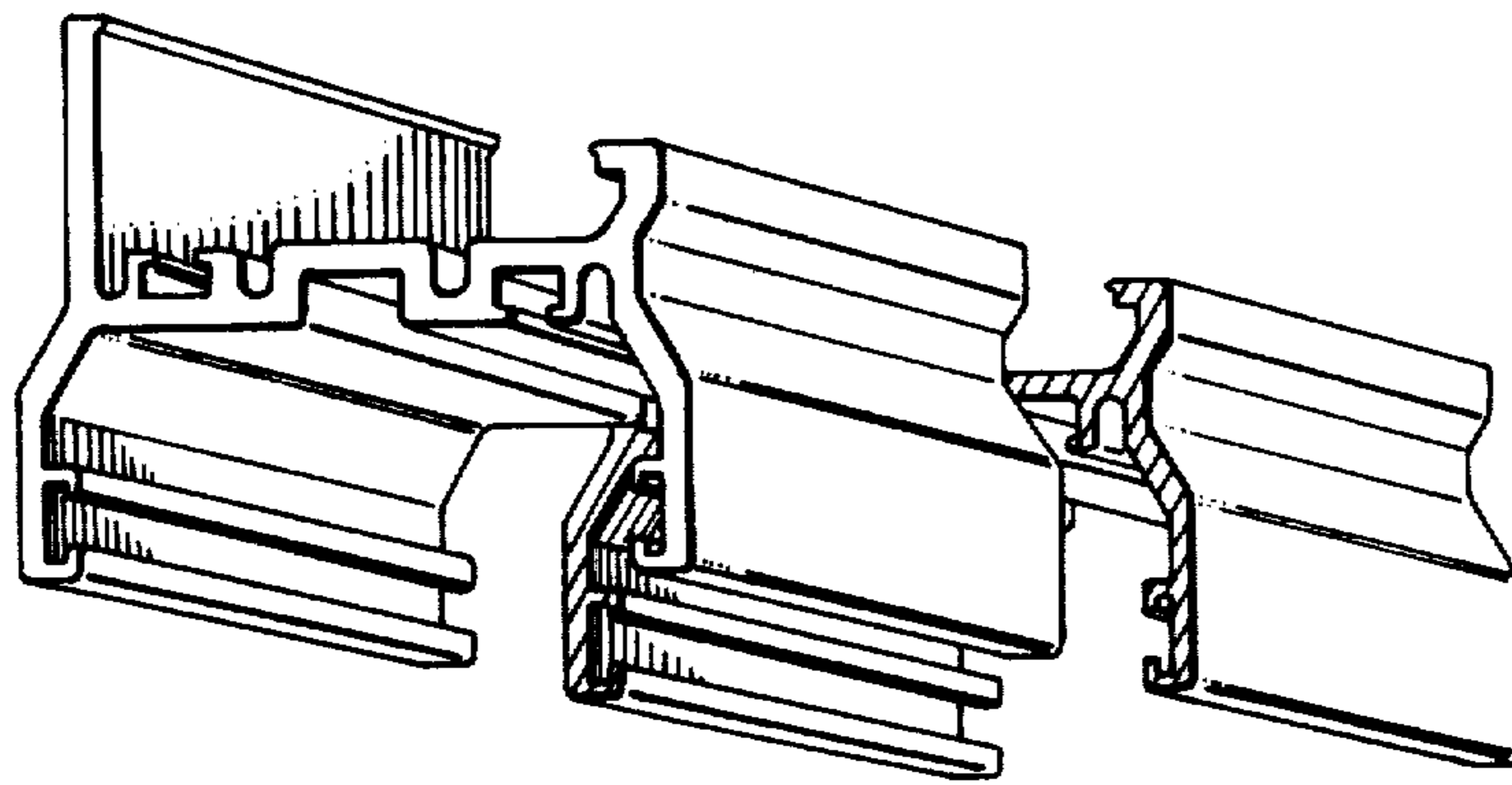


FIG. 2