

[54] FLUID FILTER UNIT

[75] Inventors: **Wolfgang Hein, Dassel; Peter Grundmann, Bockeroth**, both of Fed. Rep. of Germany

[73] Assignee: **Carl Schleicher & Schull GmbH & Co., KG, Einbeck**, Fed. Rep. of Germany

[**] Term: **14 Years**

[21] Appl. No.: **42,204**

[22] Filed: **May 24, 1979**

[51] Int. Cl. **D24-02; D23-99**

[52] U.S. Cl. **D24/21; D23/4**

[58] Field of Search **D23/4; D24/52, 99; 210/499, 446; 128/214 B, 214 C**

[56] **References Cited**

U.S. PATENT DOCUMENTS

D. 234,721 4/1975 Rosenberg D23/4

D. 235,035	4/1975	Rosenberg	D24/21
D. 247,252	2/1978	Rosenberg	D24/52
3,765,537	10/1973	Rosenberg	210/499 X
4,111,807	9/1978	Boomus et al.	210/446 X
4,113,627	9/1978	Leason	210/446
4,159,954	7/1979	Gangemi	210/446

Primary Examiner—Bernard Ansher
Attorney, Agent, or Firm—Burns, Doane, Swecker & Mathis

[57] **CLAIM**

The ornamental design for a fluid filter unit, as shown.

DESCRIPTION

FIG. 1 is a side elevational view of a fluid filter unit depicting the fluid inlet end at the top and the fluid outlet end at the bottom;

FIG. 2 is a bottom plan view of the filter unit facing the fluid outlet end;

FIG. 3 is a top plan view of the filter unit facing the fluid inlet end; and

FIG. 4 is a perspective view of the filter unit.

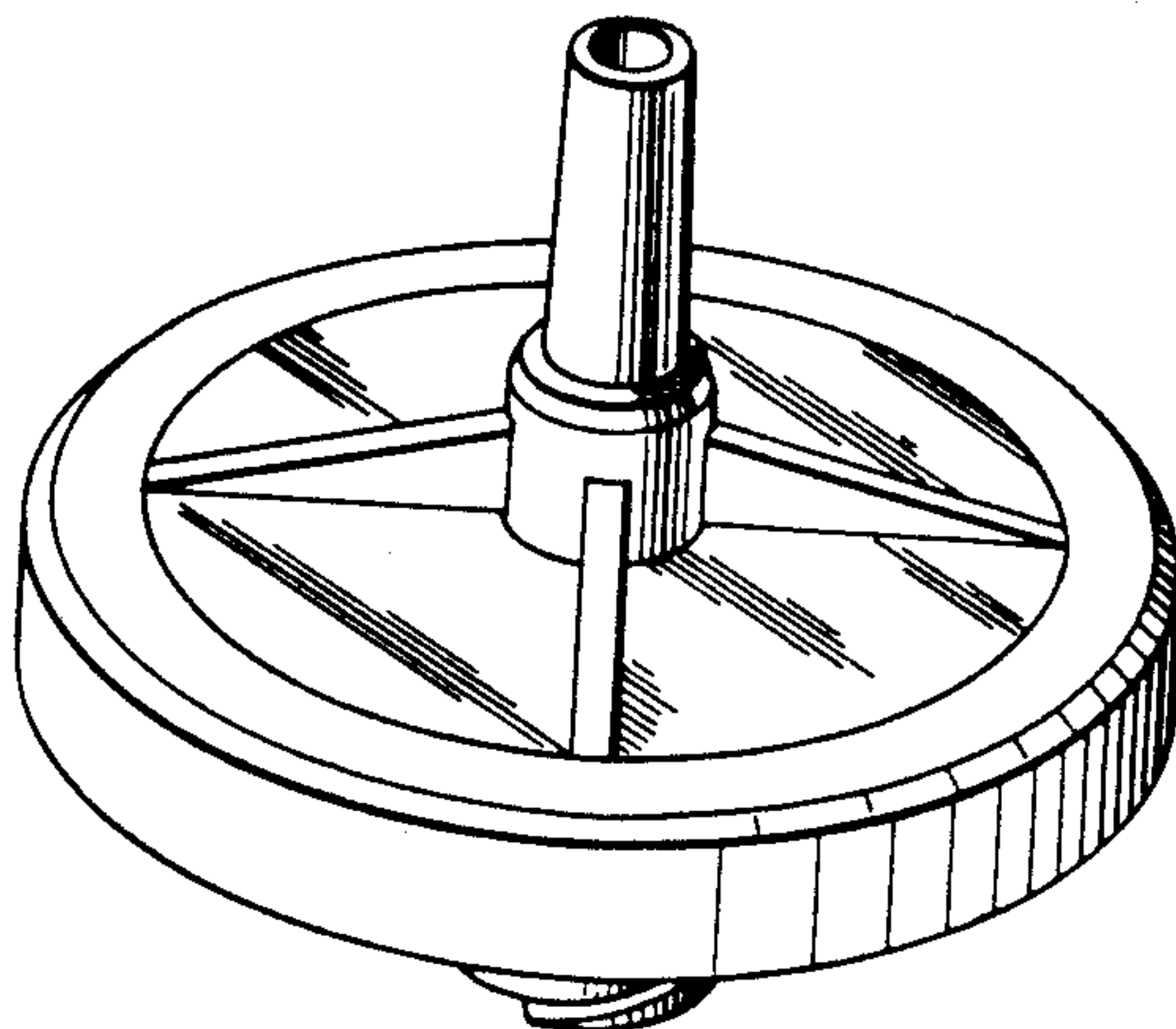
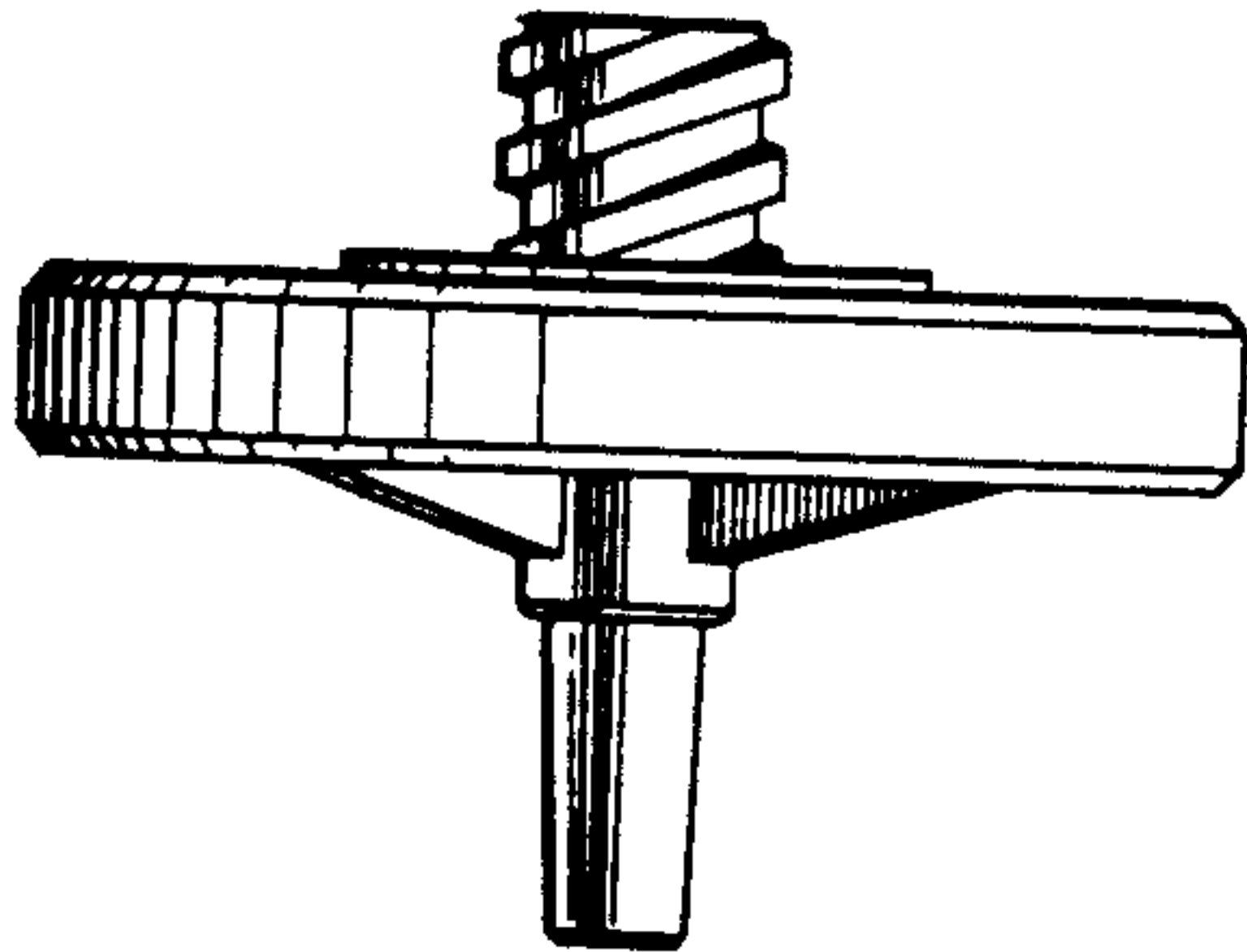


Fig. 1

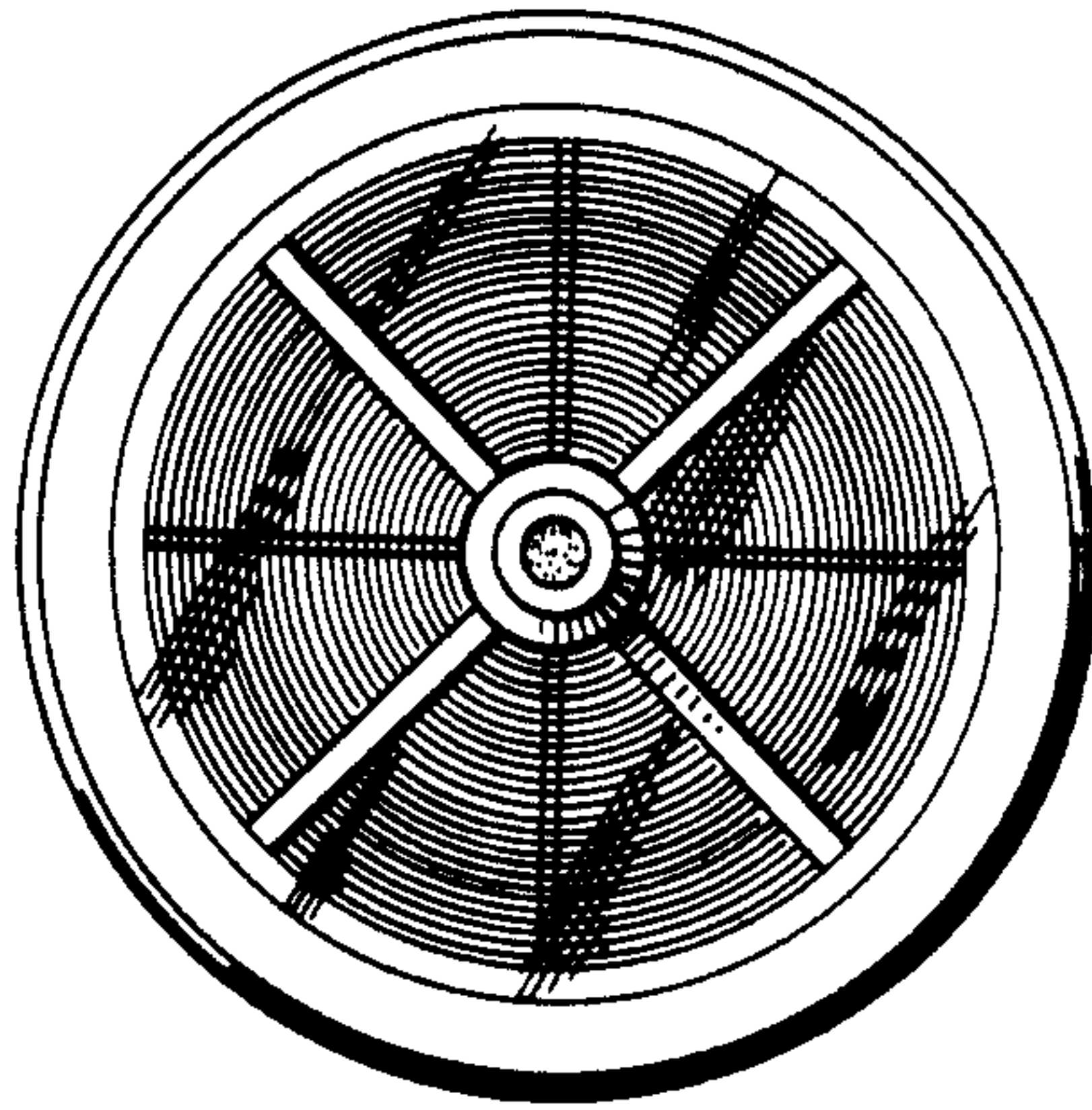
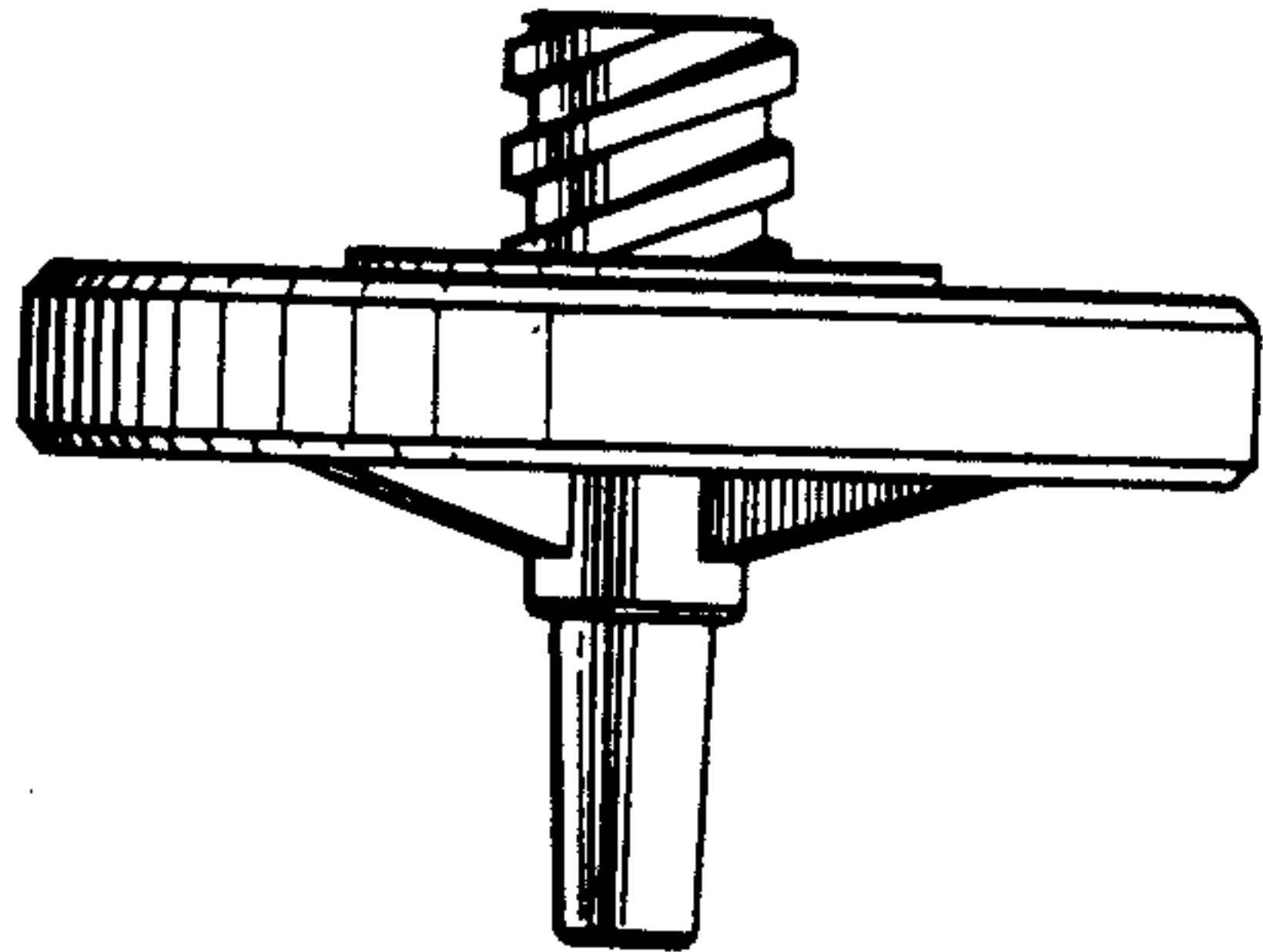


Fig. 2

Fig. 3

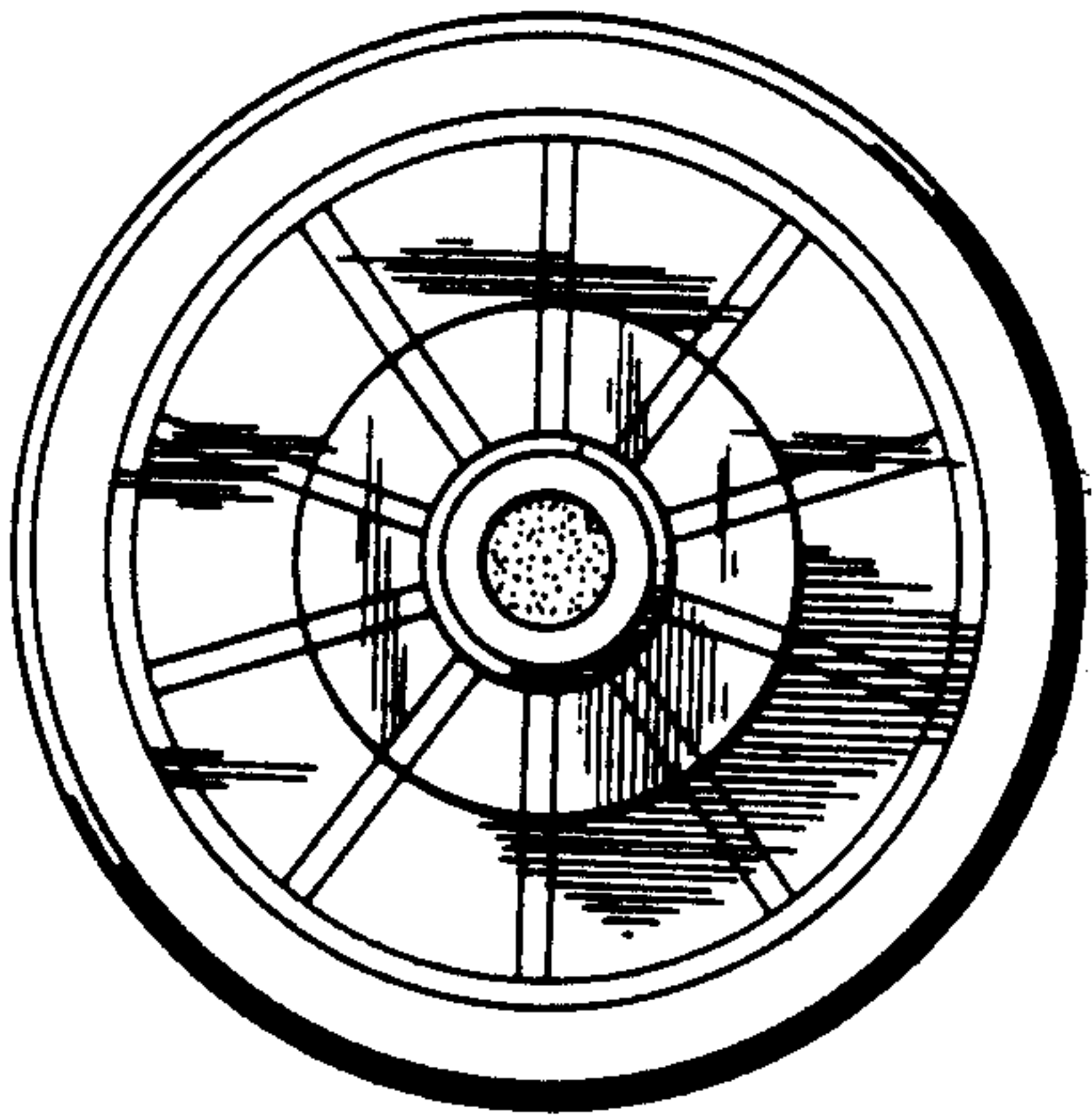


Fig. 4

