

[54] **OSTEOPATHIC EXAMINING TABLE**
[76] Inventor: **Virgil D. Kyle**, 307 Pebblebrook,
Arlington, Tex. 76014
[**] Term: **14 Years**
[21] Appl. No.: **963,505**
[22] Filed: **Nov. 24, 1978**
[51] Int. Cl. **D14-01**
[52] U.S. Cl. **D24/3; D6/22**
[58] Field of Search **D6/22; 128/68, 73;**
D24/3; D21/191; 128/70; 269/322, 328, 325

3,821,952 7/1974 Binegar 128/70
4,033,339 7/1977 Roberts et al. 269/328

Primary Examiner—Bernard Ansher
Attorney, Agent, or Firm—James E. Bradley

[57] **CLAIM**

The ornamental design for an osteopathic examining table, as shown.

DESCRIPTION

FIG. 1 is a perspective view of an osteopathic examining table showing my new design;
FIG. 2 is an end view in reduced scale of the osteopathic examining table as seen from the right end;
FIG. 3 is a side view in reduced scale of the osteopathic examining table as seen from the side opposite that of FIG. 1; and
FIG. 4 is a bottom plan view in reduced scale of the osteopathic examining table.

[56] **References Cited**
U.S. PATENT DOCUMENTS
D. 248,406 7/1978 Hodge D24/3
D. 250,043 10/1978 Shine D24/3
2,926,660 3/1960 Thompson 269/322 X

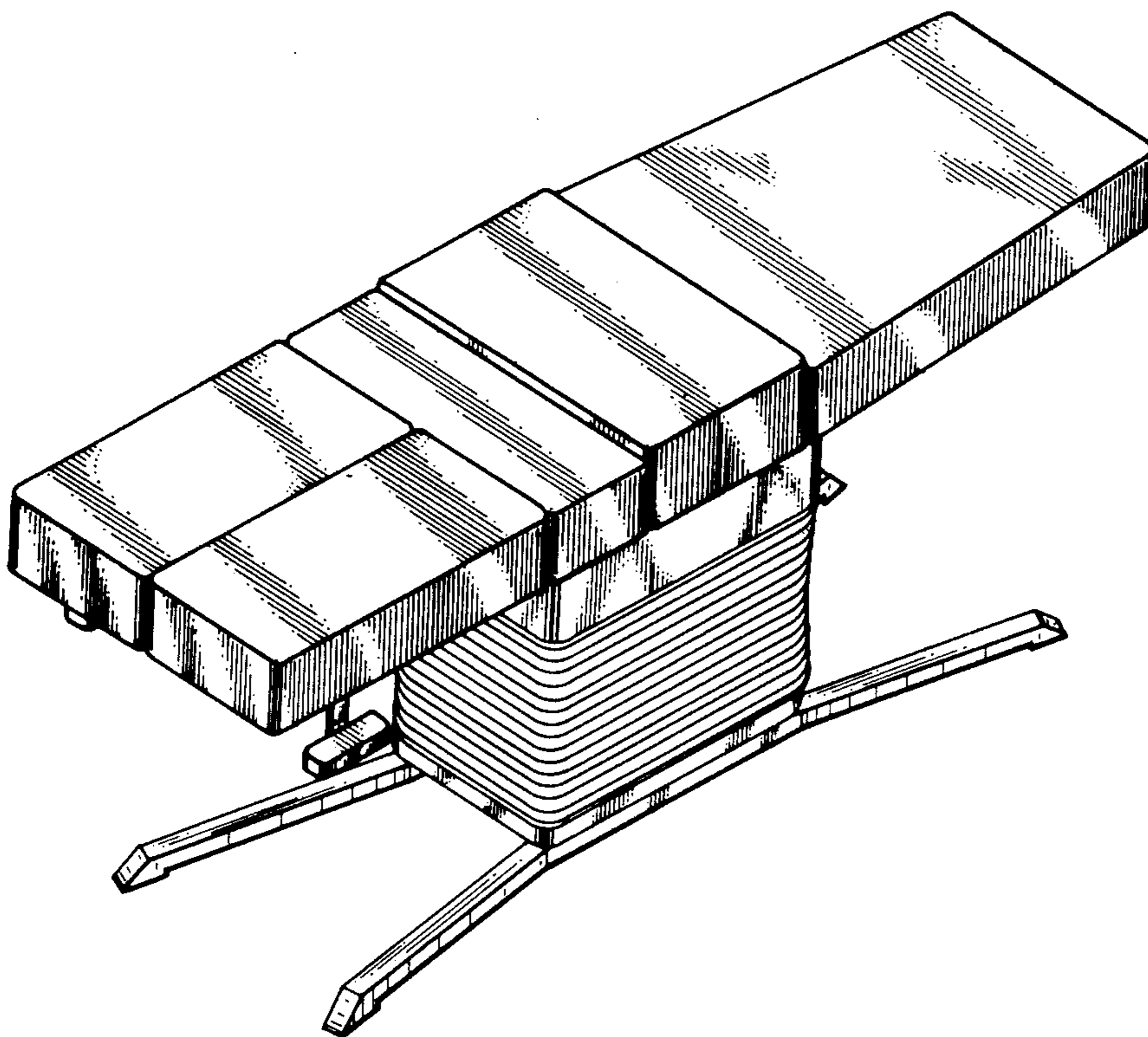


FIG. 1

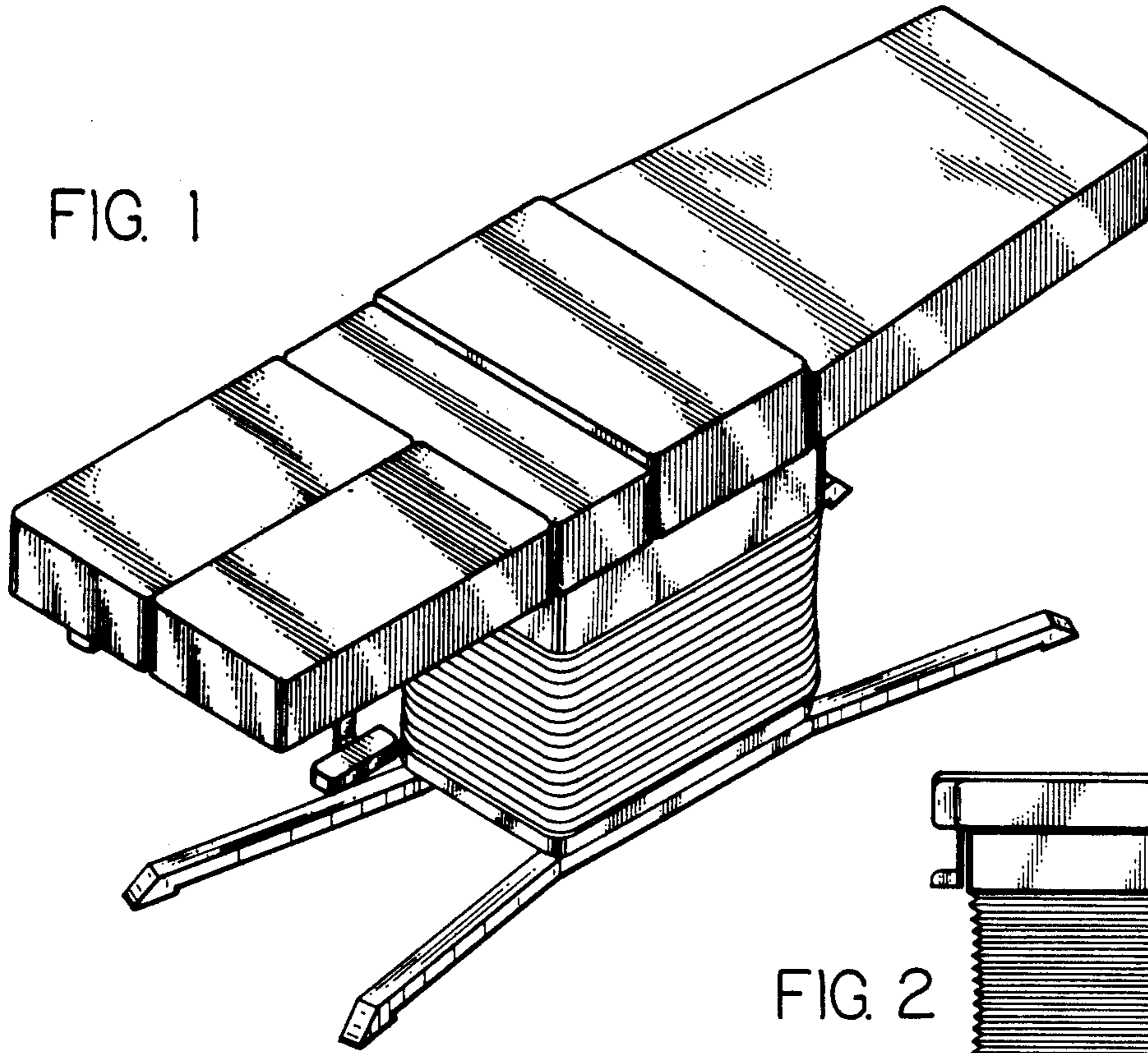


FIG. 2

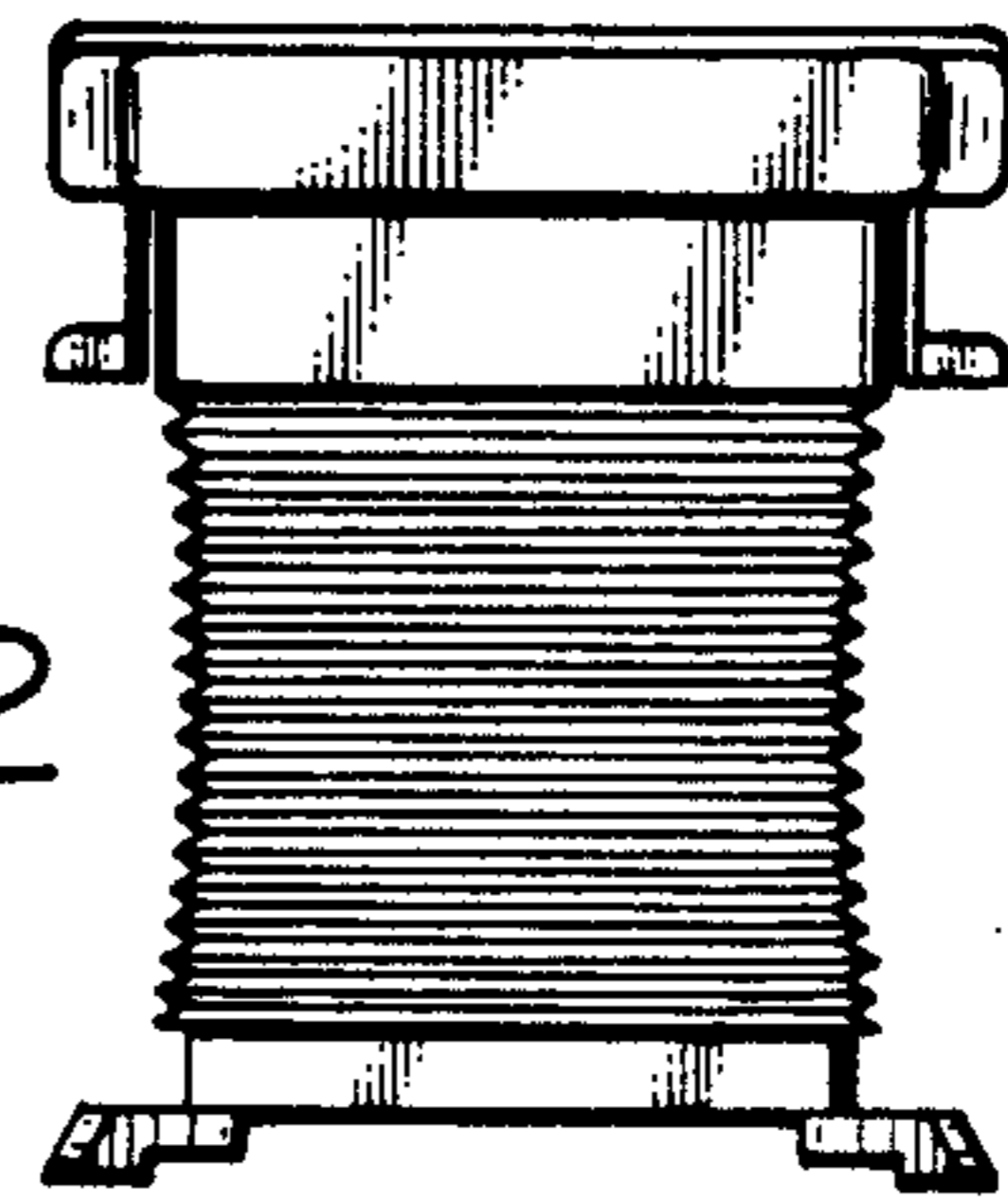


FIG. 3

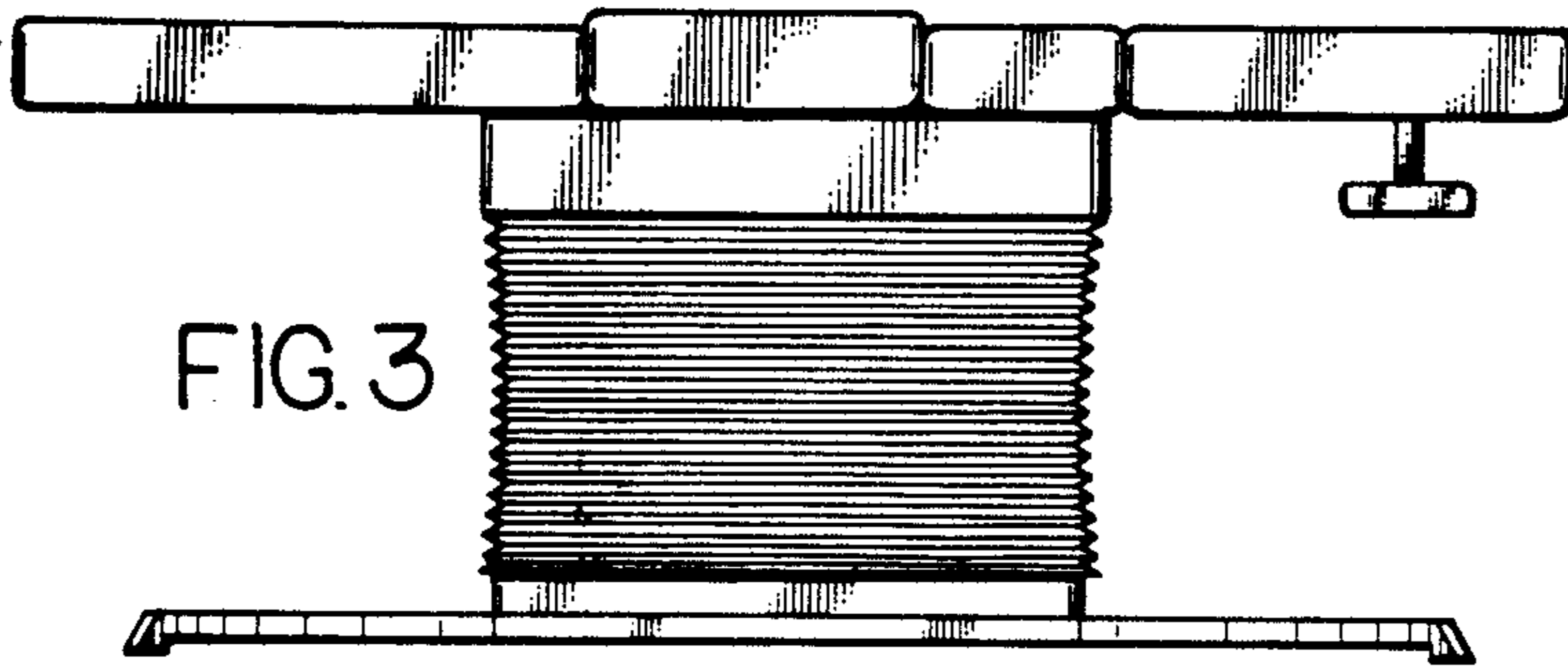


FIG. 4

