

[54] FISHING REEL

[75] Inventor: Seiji Myojo, Sakai, Japan

[73] Assignee: Shimano Industrial Company, Limited, Osaka, Japan

[\*\*] Term: 14 Years

[21] Appl. No.: 90,625

[22] Filed: Nov. 2, 1979

[30] Foreign Application Priority Data

May 18, 1979 [JP] Japan ..... 54-20439

[51] Int. Cl. .... D22-05

[52] U.S. Cl. .... D22/25

[58] Field of Search ..... D22/25, 23, 26; 242/84.1 R; 43/18 R

[56]

References Cited

U.S. PATENT DOCUMENTS

D. 193,788	10/1962	Wood .....	D22/25
D. 246,662	12/1977	Okada .....	D22/25
3,329,373	7/1967	Wood, Jr. ....	D22/25 X

Primary Examiner—A. Hugo Word  
Attorney, Agent, or Firm—Stevens, Davis, Miller & Mosher

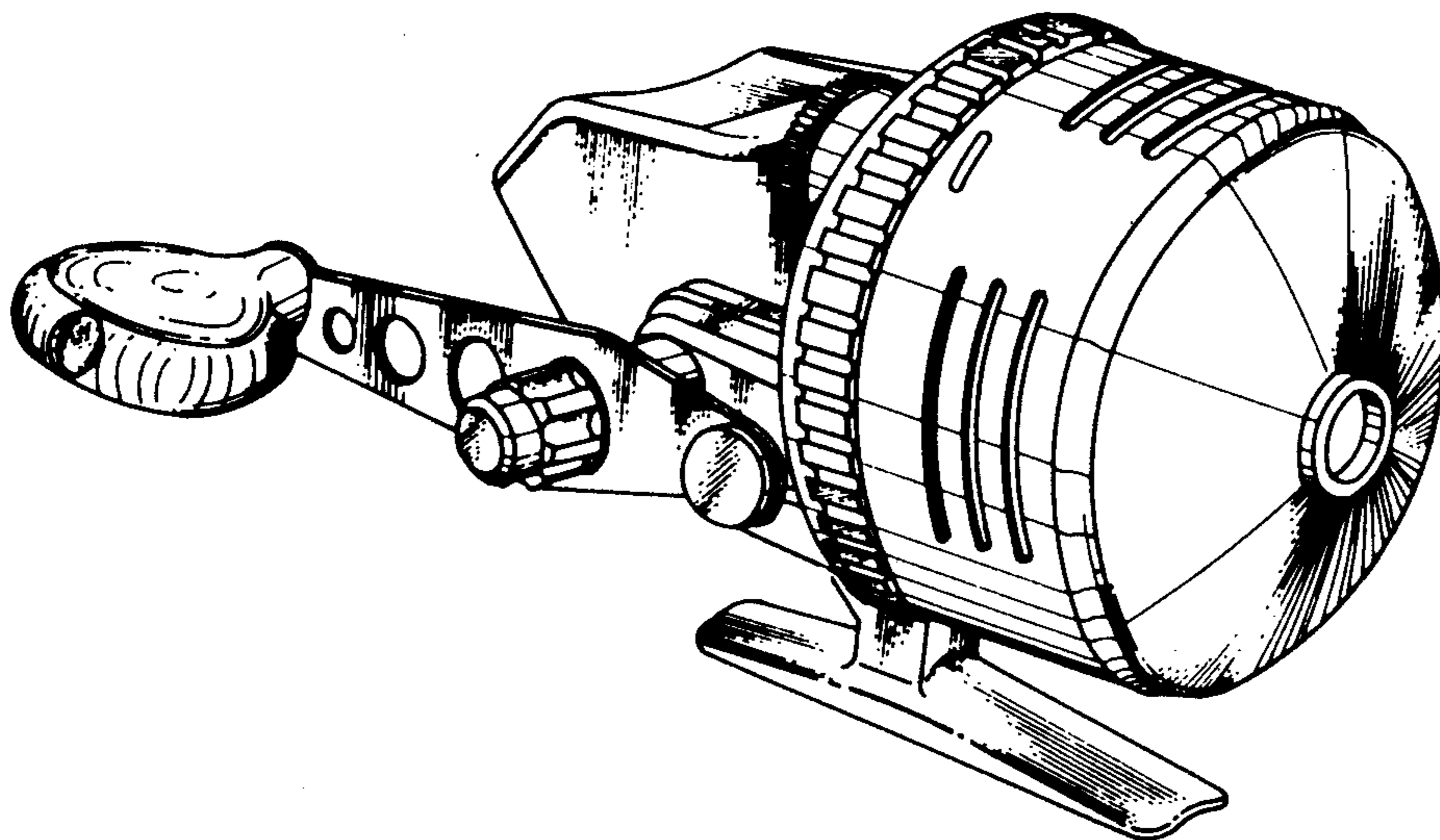
[57]

CLAIM

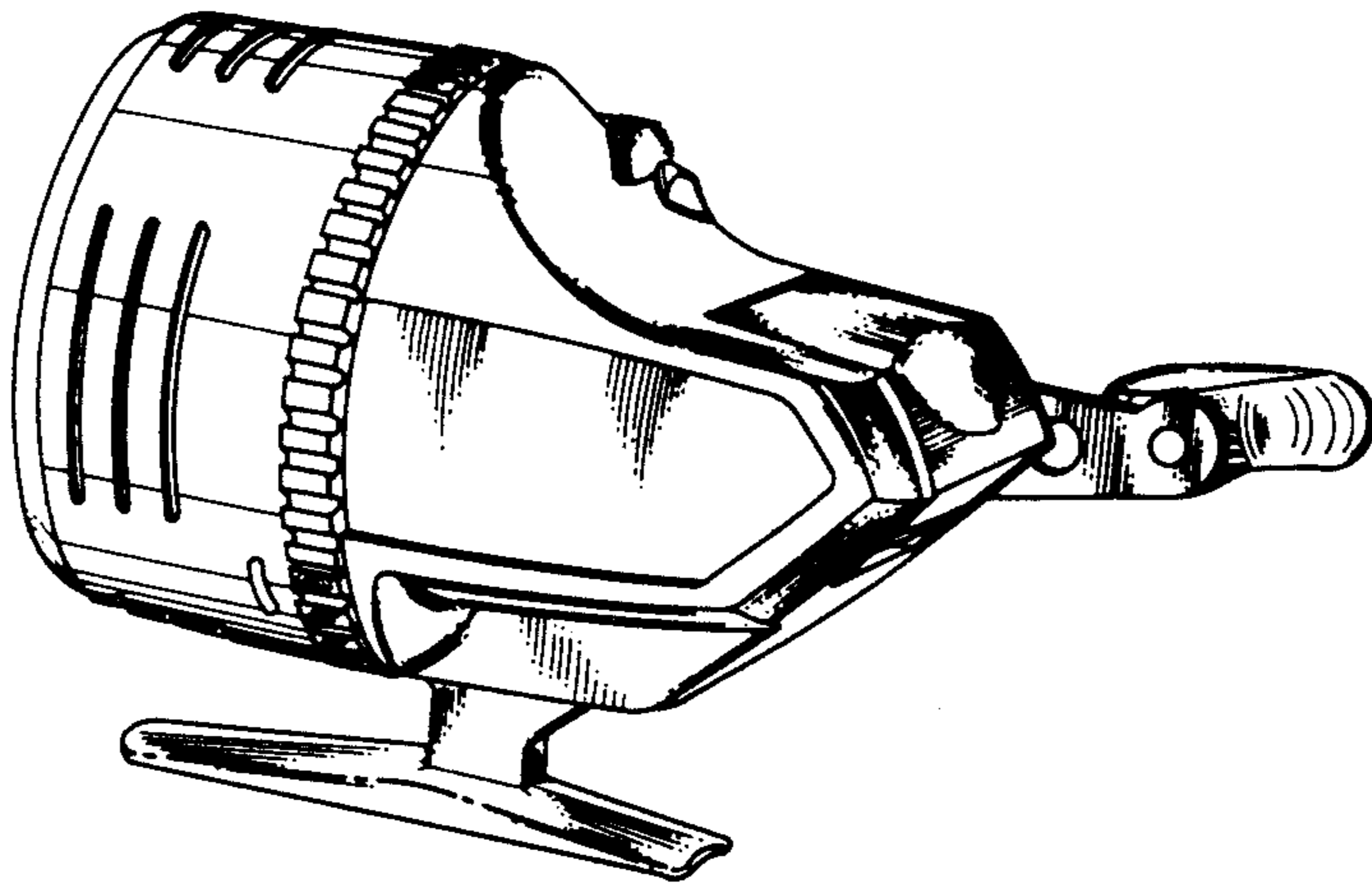
The ornamental design for a fishing reel, as shown.

DESCRIPTION

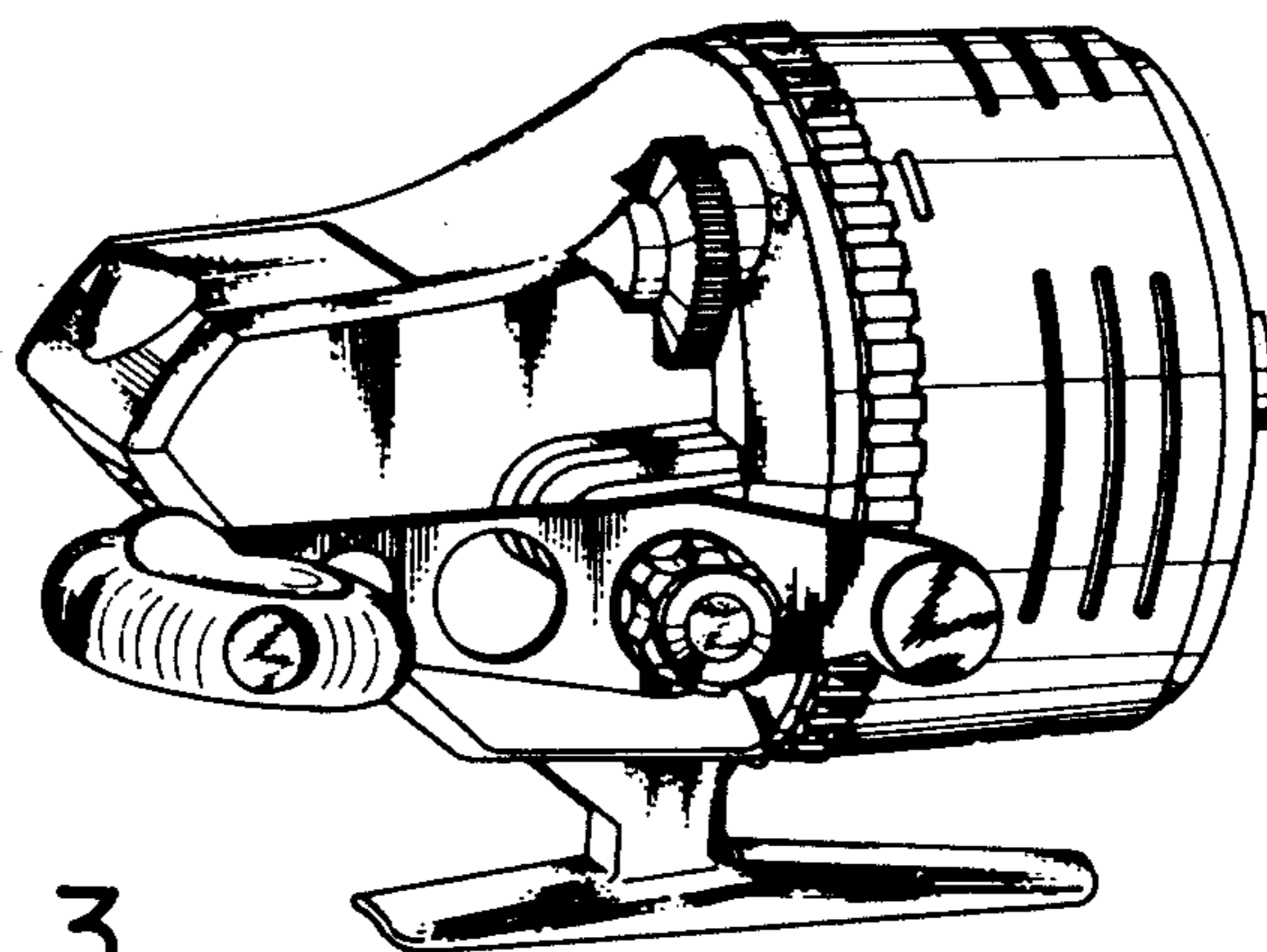
FIG. 1 is a perspective right side view from the back-side upper angle of the fishing reel.  
FIG. 2 is a perspective left side view from the front upper angle of the fishing reel.  
FIG. 3 is a perspective right side view from the front upper angle of the fishing reel.



*Fig. 1*



*Fig. 2*



*Fig. 3*

