

[54] COMBINED TABLE TENNIS TABLE AND REBOUND SIDE WALLS

[76] Inventor: John A. Dremel, 7646 Denio, Citrus Heights, Calif. 95610

[\*\*] Term: 14 Years

[21] Appl. No.: 23,143

[22] Filed: Mar. 23, 1979

[51] Int. Cl. .... D21-01

[52] U.S. Cl. .... D21/14

[58] Field of Search ..... D21/14; 273/30

[56] References Cited

U.S. PATENT DOCUMENTS

2,313,701 3/1943 White ..... 273/30

FOREIGN PATENT DOCUMENTS

203516 9/1923 United Kingdom ..... 273/30

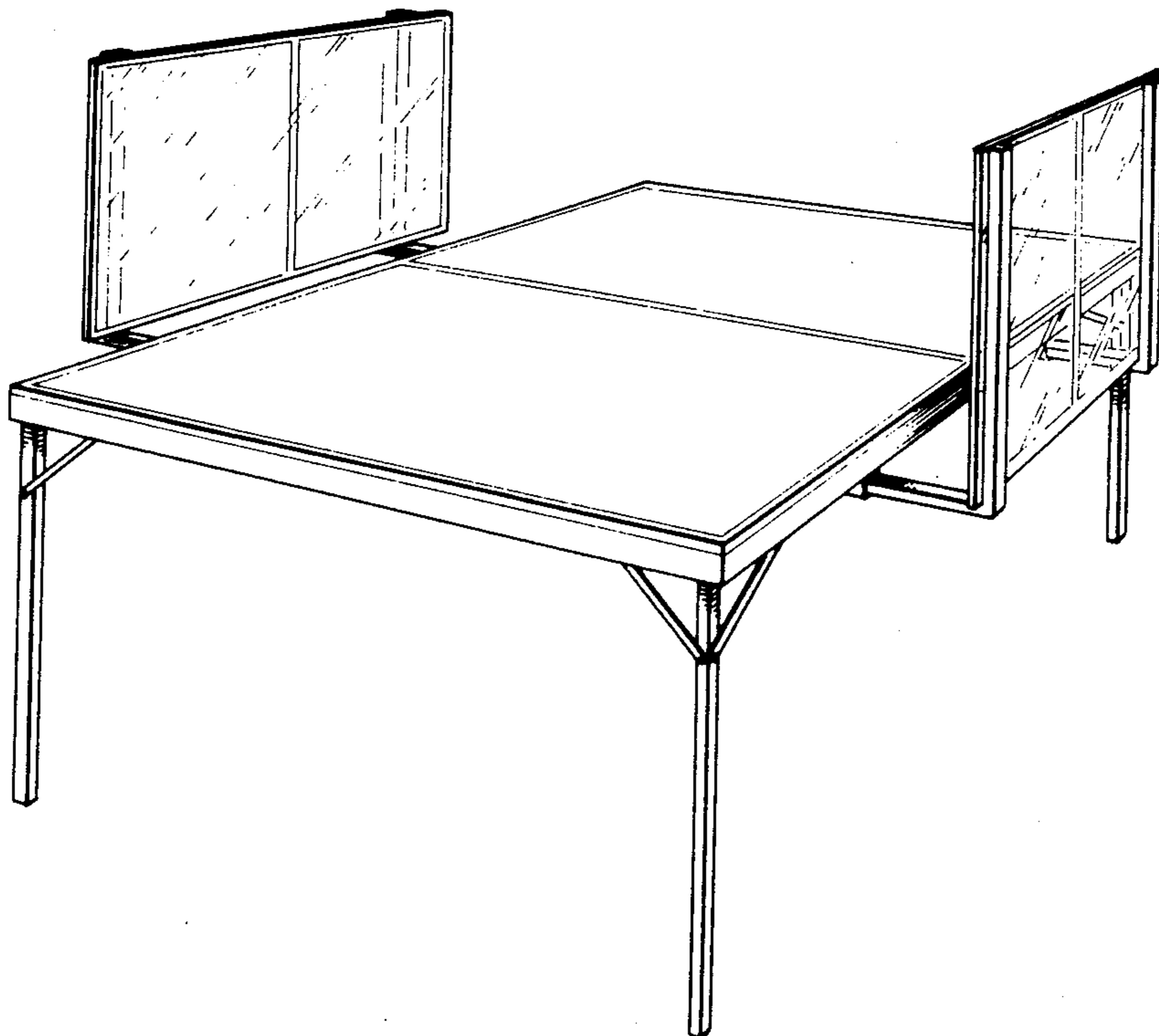
Primary Examiner—Melvin B. Feifer  
Attorney, Agent, or Firm—Lothrop & West

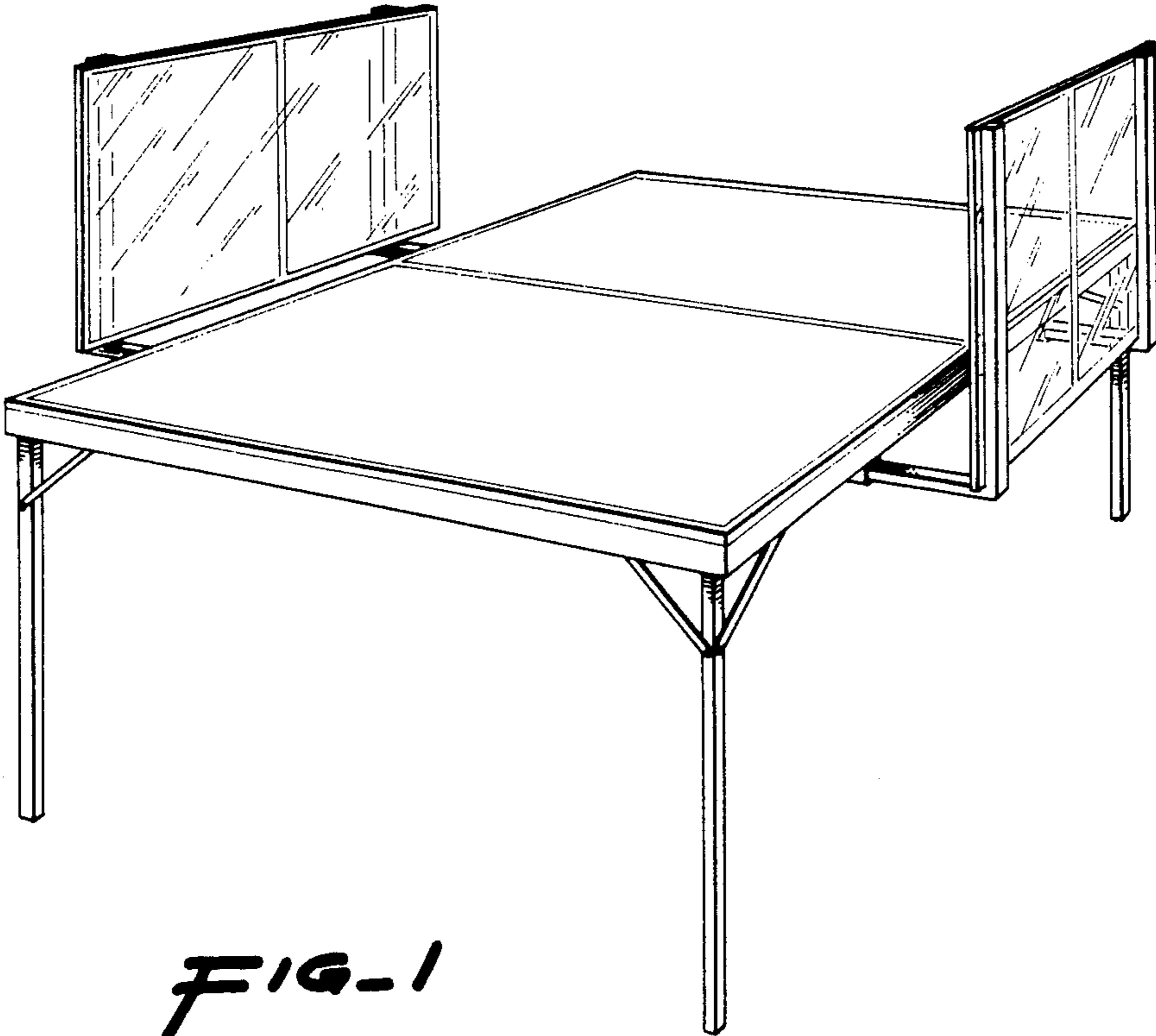
[57] CLAIM

The ornamental design for a combined table tennis table and rebound side walls, as shown and described.

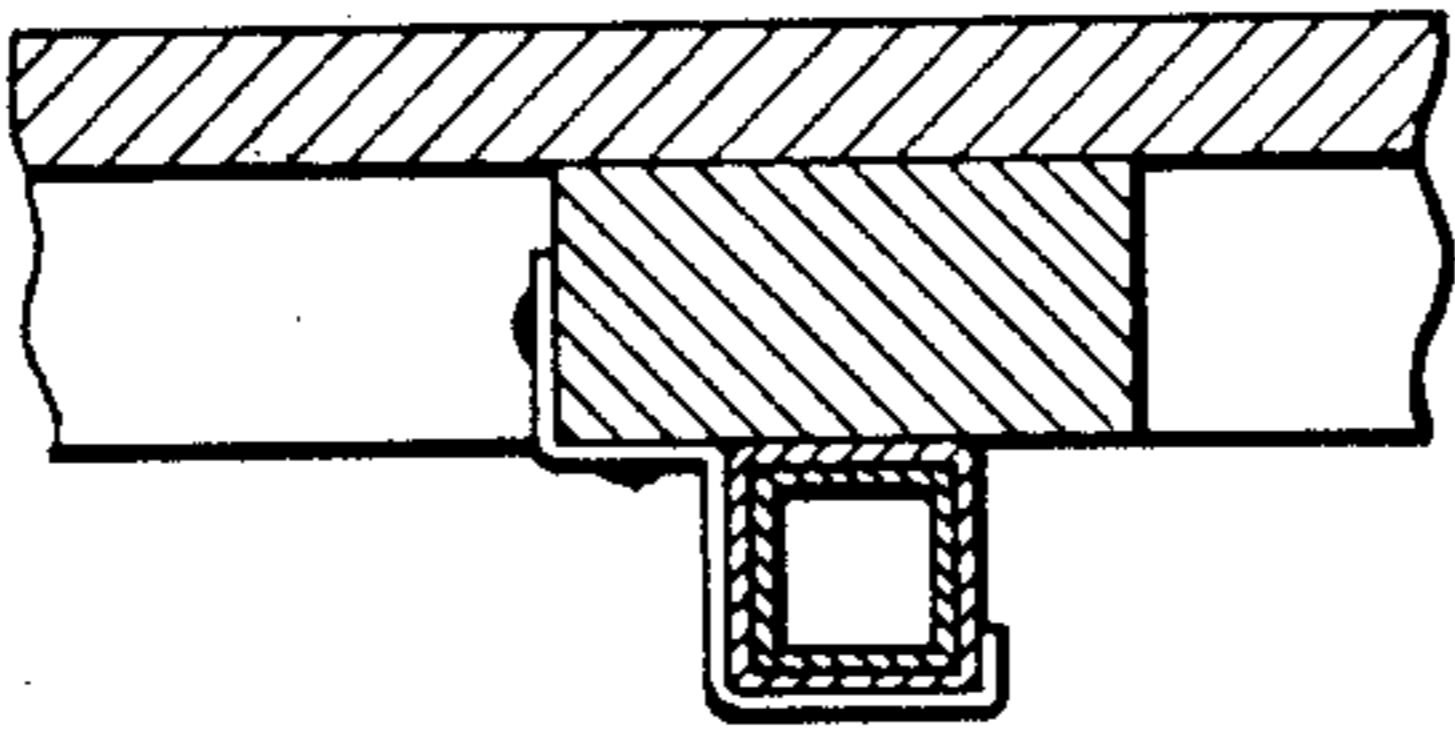
DESCRIPTION

FIG. 1 is a perspective view of a combined table tennis table and rebound side walls, showing my new design; FIG. 2 is a top plan view; FIG. 3 is a bottom plan view; FIG. 4 is an elevational view of one side, the opposite side being a mirror image thereof; FIG. 5 is an elevational view of one end; opposite end being a mirror image thereof; and, FIG. 6 is a fragmentary cross sectional view, taken on the lines 6-6 in FIG. 3, to an enlarged scale.



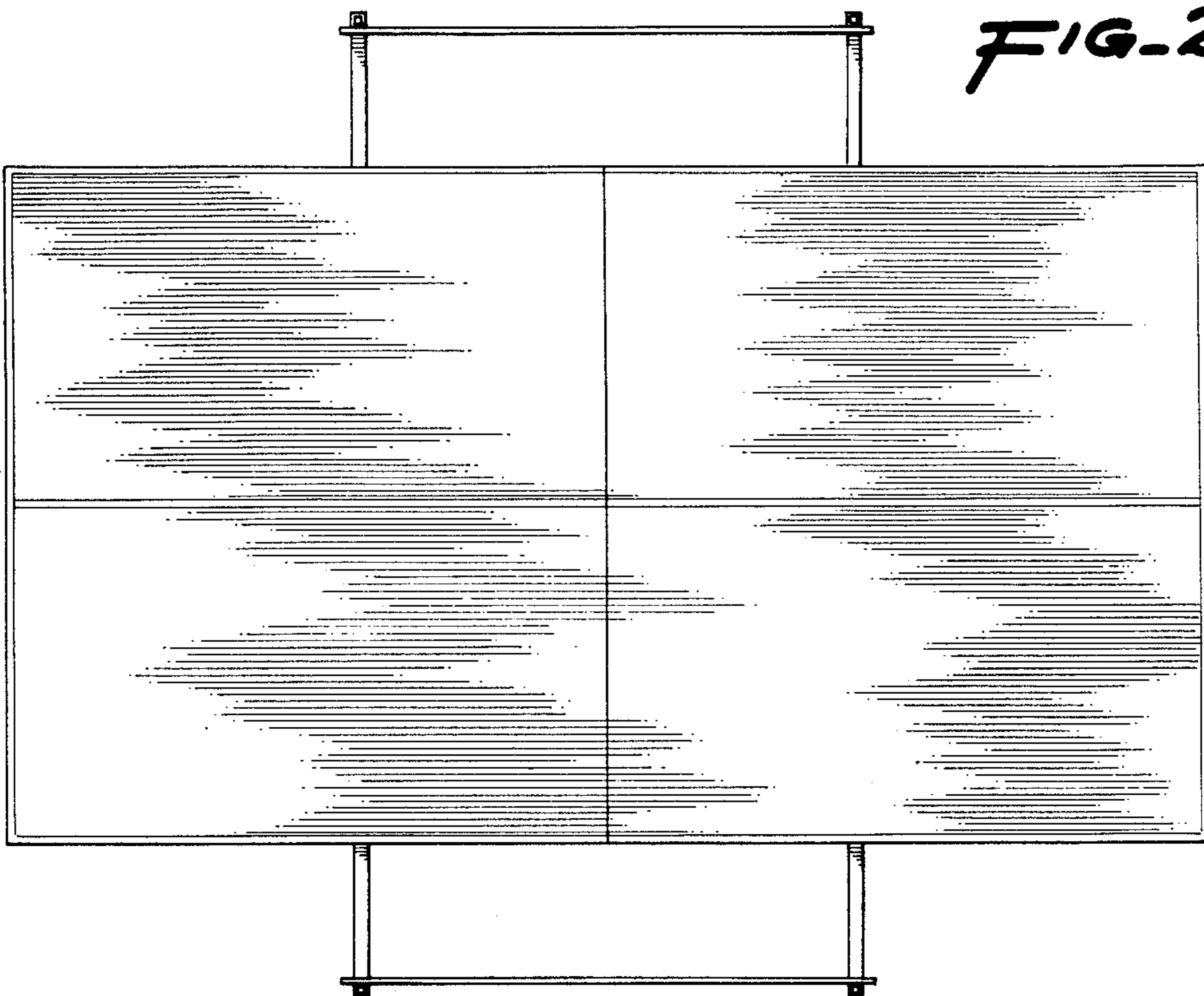


*FIG-1*

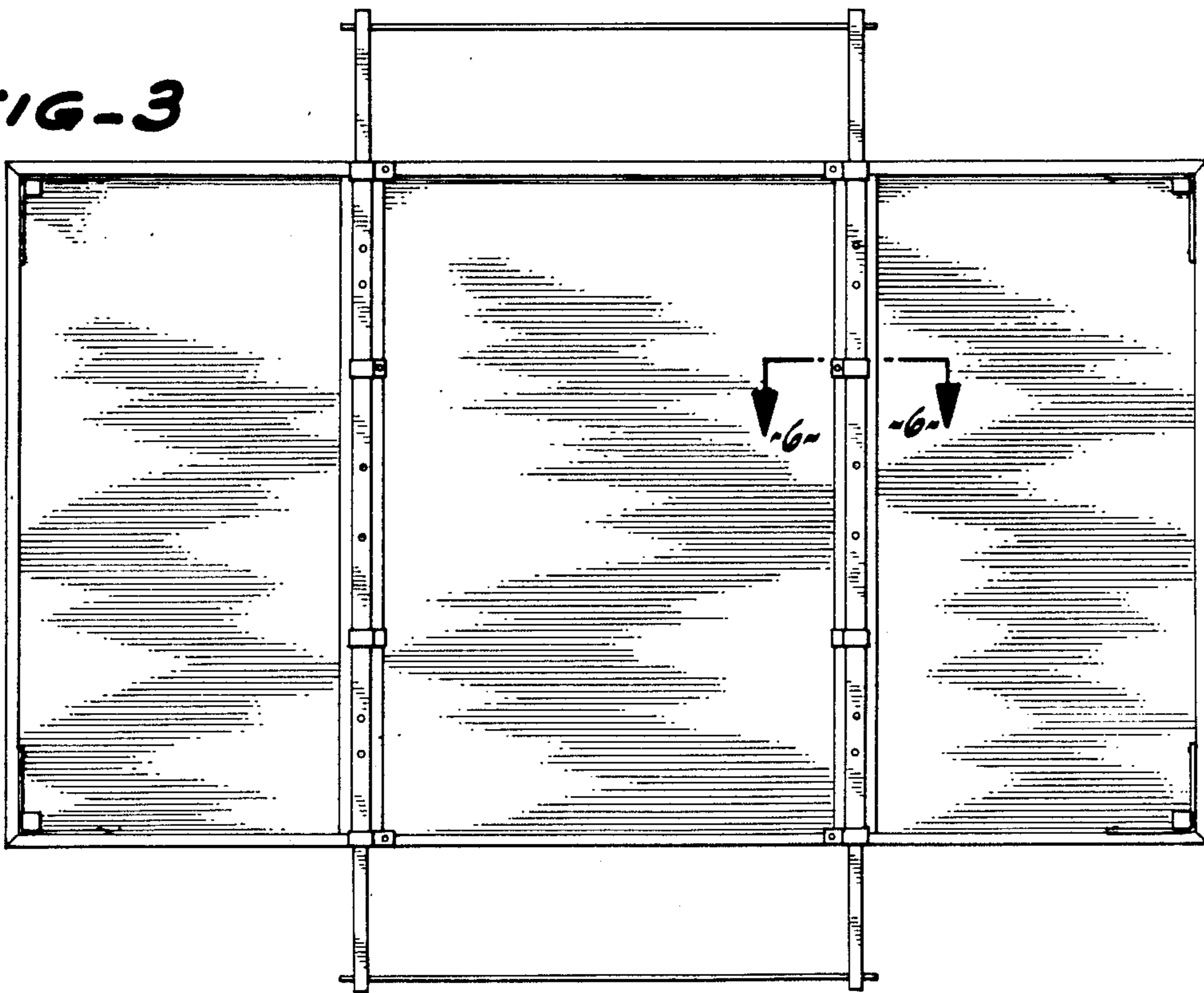


*FIG-6*

*FIG-2*



*FIG-3*



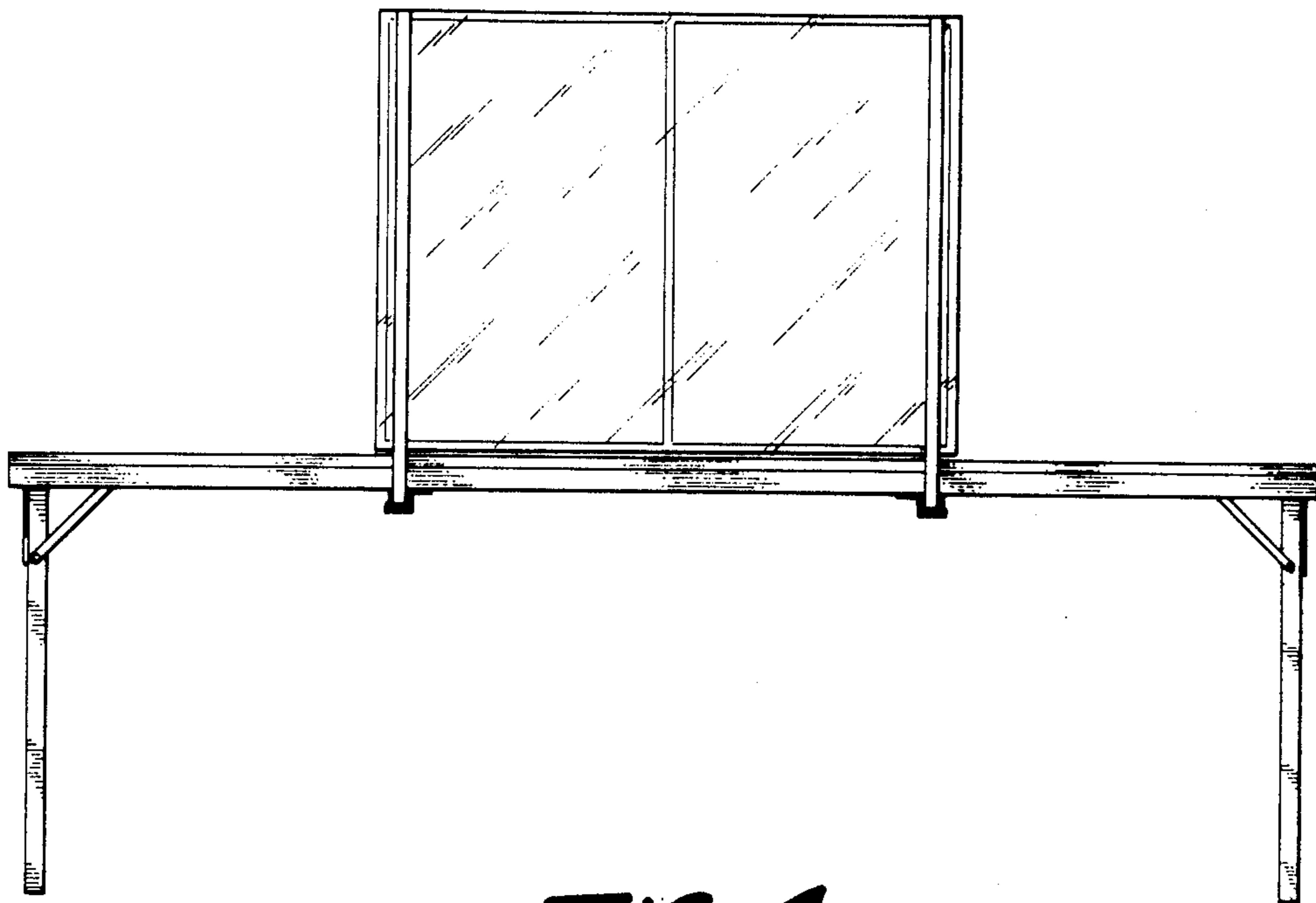


FIG-4

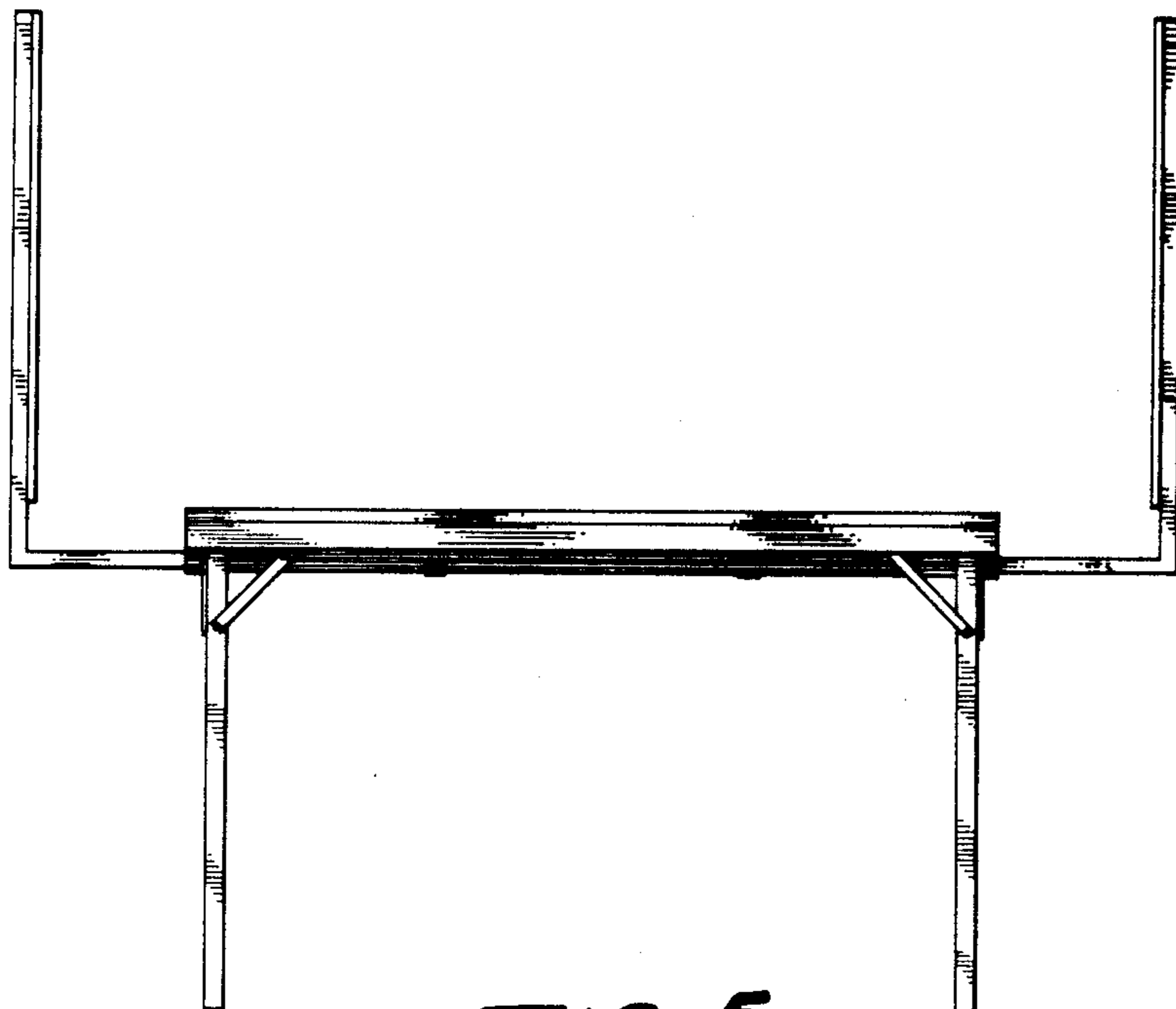


FIG-5