

[54] BEVERAGE DISPENSING MACHINE

[75] Inventors: Samuel C. Crosby, Jr., Decatur, Ga.; Robert B. Whorton, III, Spartanburg, S.C.

[73] Assignee: Tannetics, Inc., Erie, Pa.

[\*\*] Term: 14 Years

[21] Appl. No.: 53,948

[22] Filed: Jul. 2, 1979

[51] Int. Cl. .... D15-08

[52] U.S. Cl. .... D15/112

[58] Field of Search ..... D20/1, 5; D23/3; D15/111, 112, 113, 115, 116, 118, 119, 120

[56] References Cited

U.S. PATENT DOCUMENTS

D. 143,172	12/1945	Thompson .....	D15/115
D. 159,502	8/1950	McCowan, Jr. et al. ....	D15/112
D. 167,744	9/1952	Dreyfuss .....	D15/112

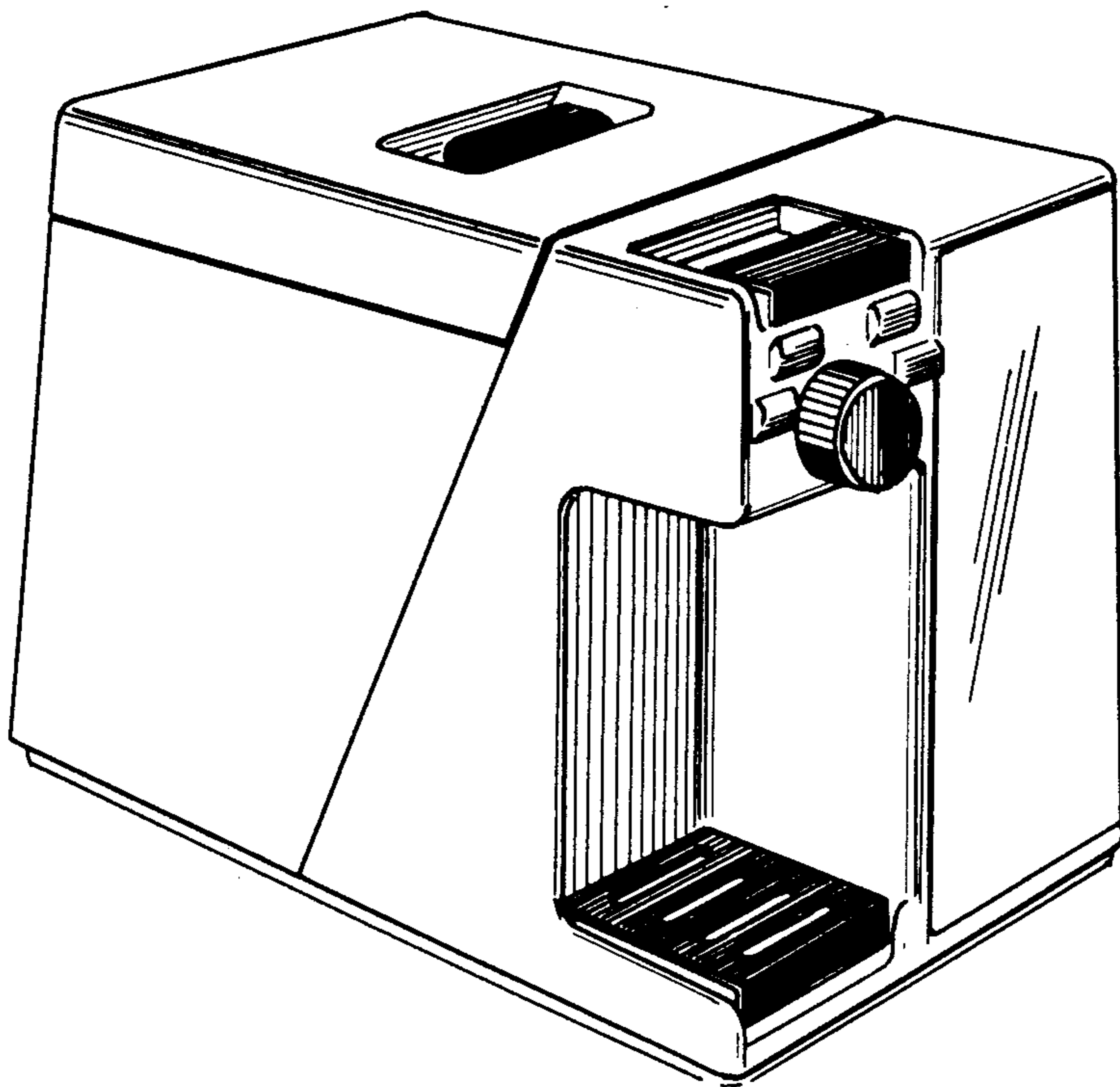
Primary Examiner—Winifred E. Herrmann  
Attorney, Agent, or Firm—Bailey, Dority & Flint

[57] CLAIM

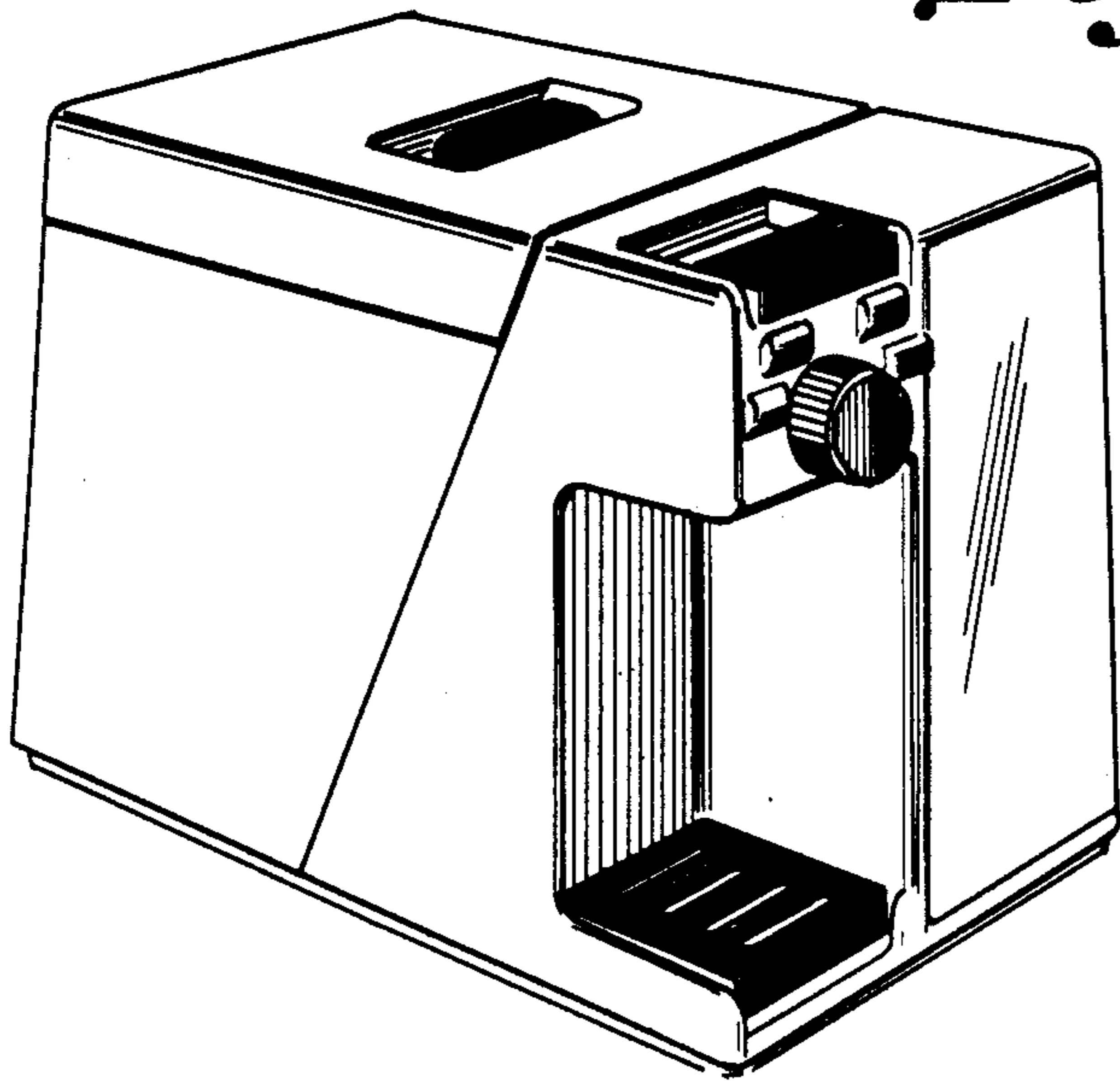
The ornamental design for a beverage dispensing machine, substantially as shown and described.

DESCRIPTION

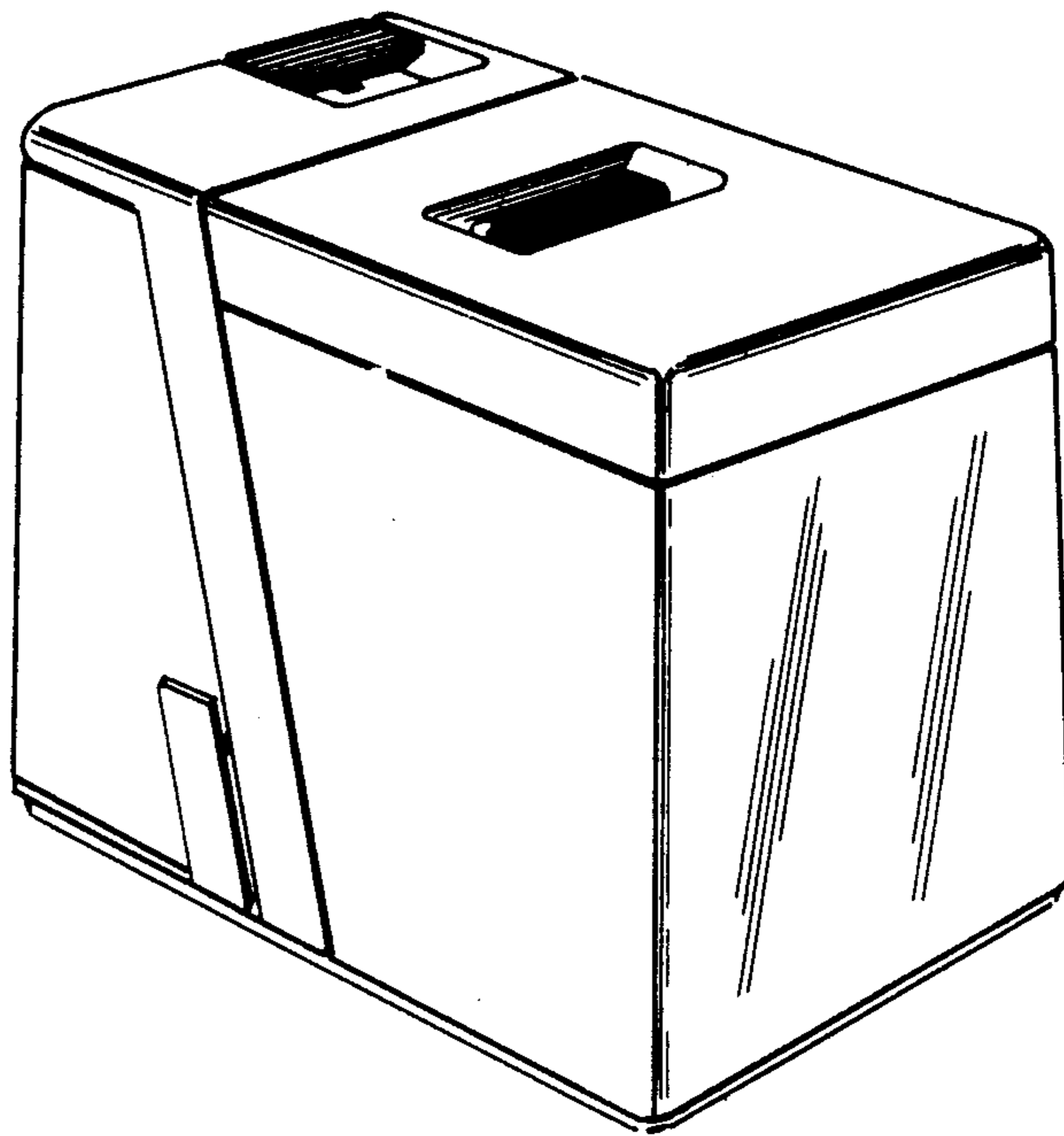
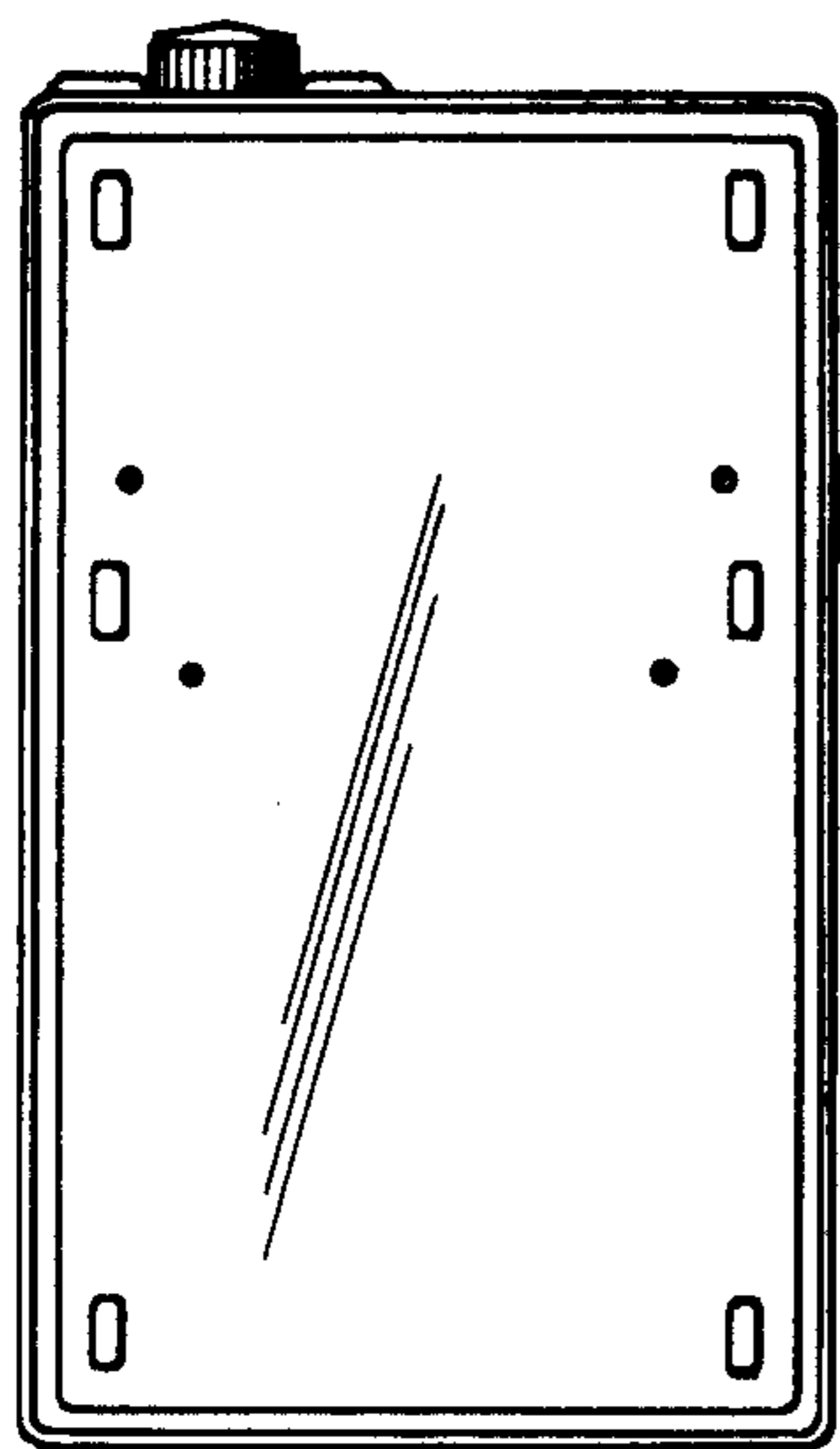
FIG. 1 is a front perspective view of a beverage dispensing machine showing our new design; FIG. 2 is a rear perspective view thereof; and FIG. 3 is a bottom plan view thereof.



*Fig. 1.*



*Fig. 3.*



*Fig. 2.*