

[54] **LAWN MOWER COVER**

[76] Inventor: **David B. Harris**, 3113 Amherst Rd., Rocky Mount, N.C. 27801

[\*\*] Term: **14 Years**

[21] Appl. No.: **15,447**

[22] Filed: **Feb. 26, 1979**

[51] Int. Cl. .... **D15-03**

[52] U.S. Cl. .... **D15/17**

[58] Field of Search ..... **D15/17; D25/1, 16; D30/1; 52/66, 69, 83, 174; 56/320.1; 150/52 R; 220/1 T**

[56] **References Cited**

**U.S. PATENT DOCUMENTS**

D. 240,051	5/1976	Mayfield .....	D30/1
3,087,585	4/1963	Knuth et al. ....	150/52 R
3,306,486	2/1967	Martino et al. ....	220/1 T

*Primary Examiner*—Peter M. Caun  
*Attorney, Agent, or Firm*—B. B. Olive

[57] **CLAIM**

The ornamental design for a lawn mower cover, substantially as shown and described.

**DESCRIPTION**

FIG. 1 is a front perspective view of a lawn mower cover showing my new design;

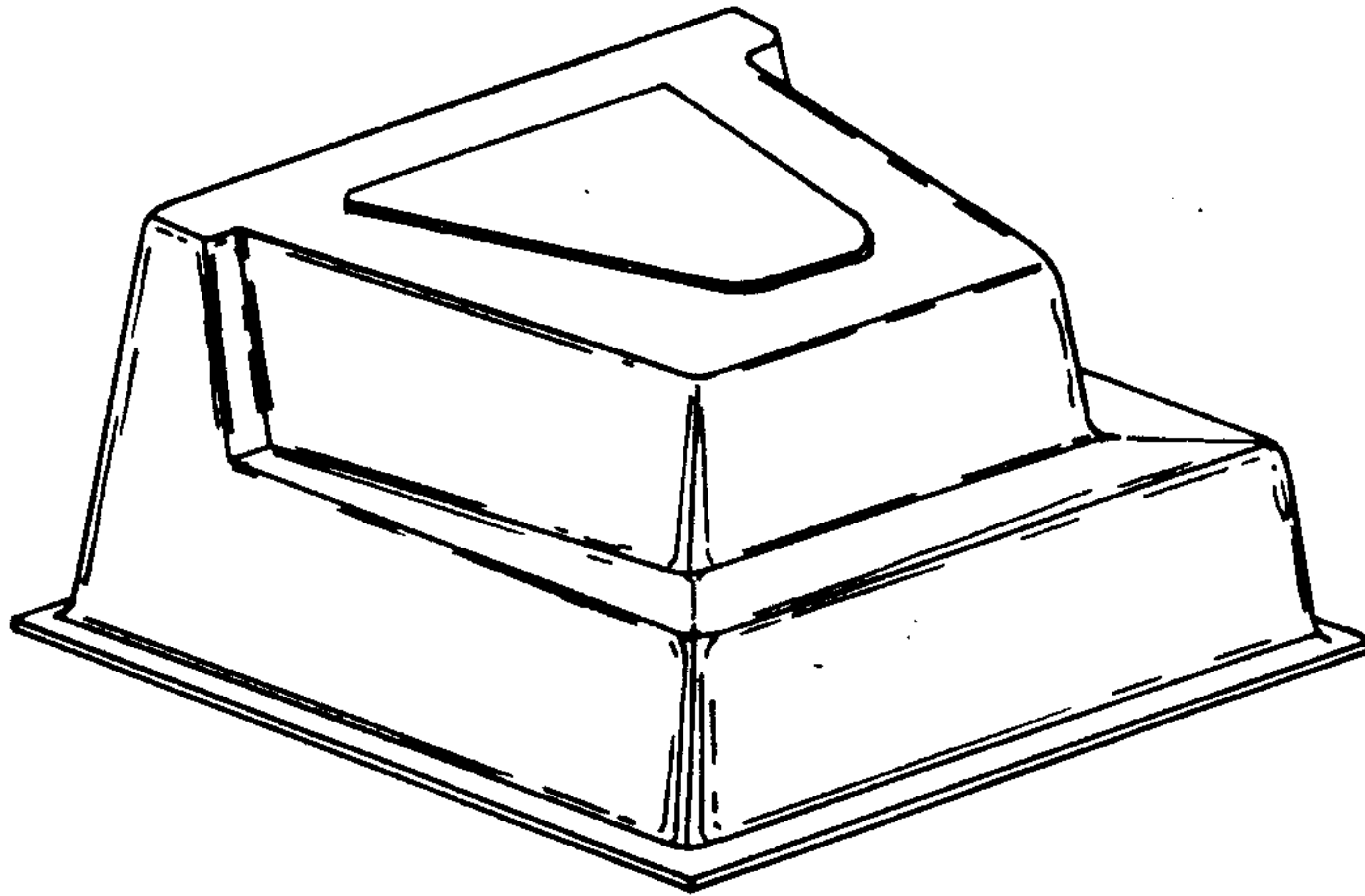
FIG. 2 is a rear perspective view thereof shown in FIG. 1;

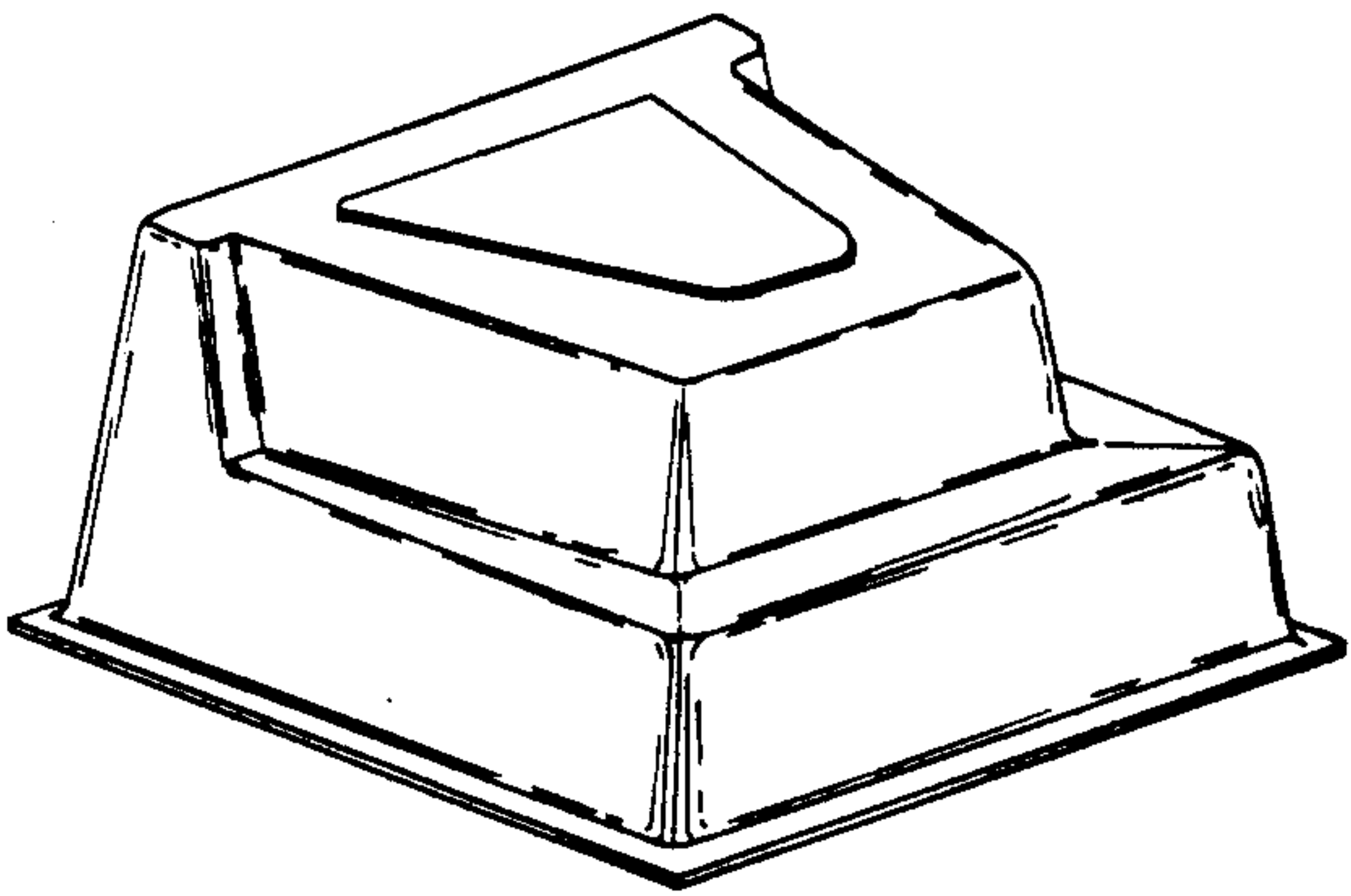
FIG. 3 is a top plan view thereof;

FIG. 4 is a front elevation view thereof;

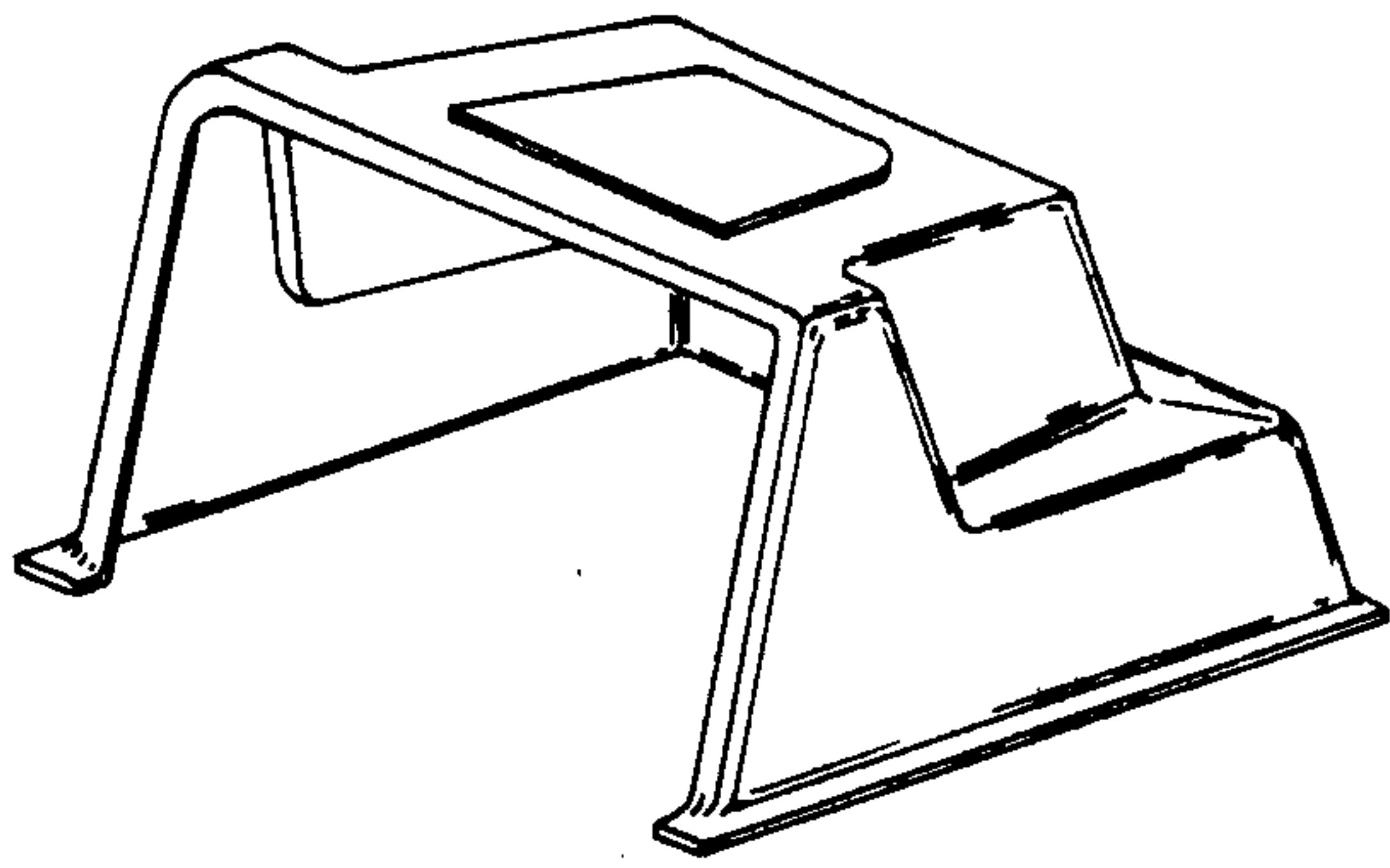
FIG. 5 is left side elevation view thereof which is a mirror image of its laterally opposite side; and

FIG. 6 is a cross section view taken on line 6—6 of FIG. 3. The broken lines representing a conventional lawn mower positioned beneath the lawn mower cover and shown for illustrative purposes only.

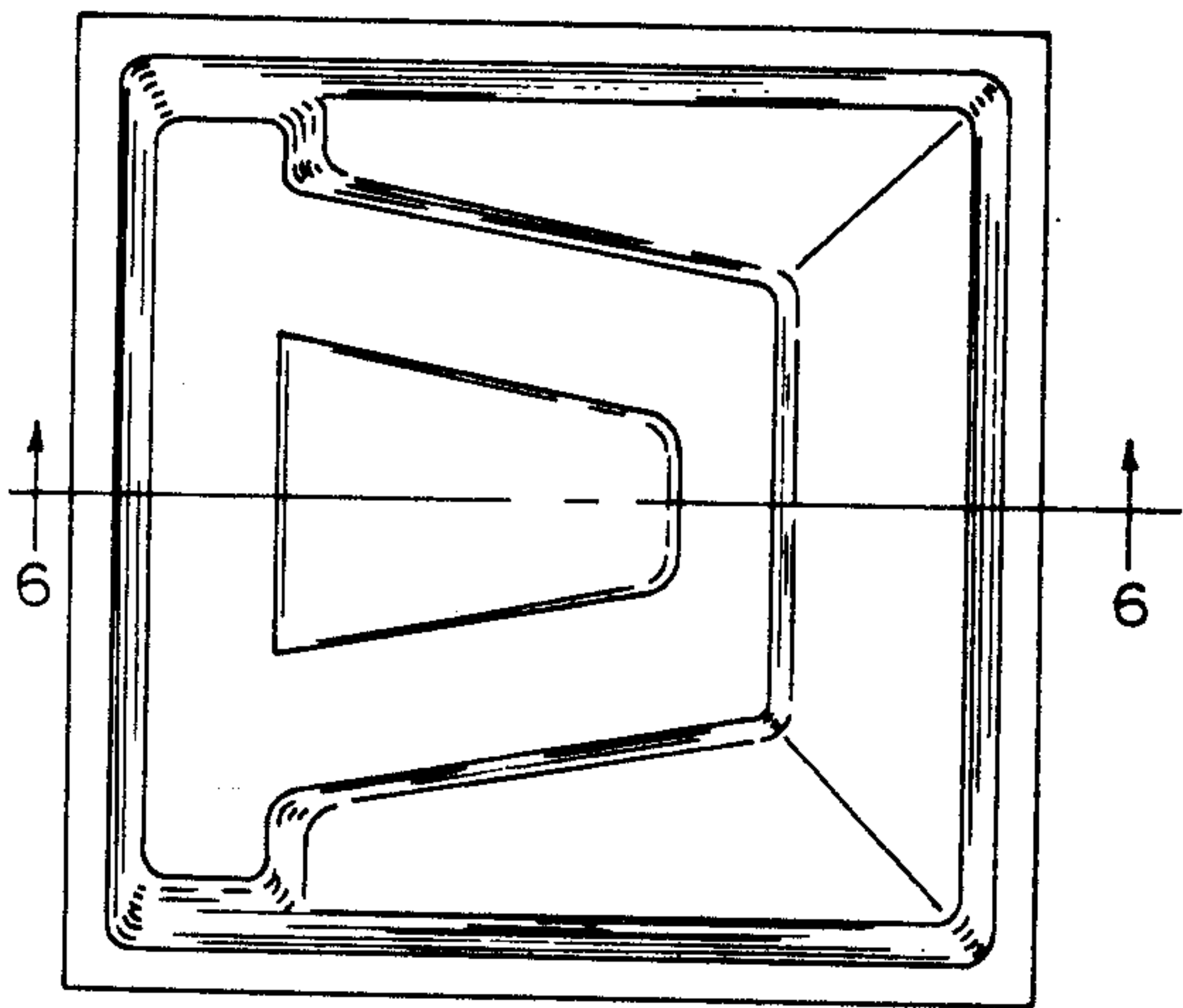




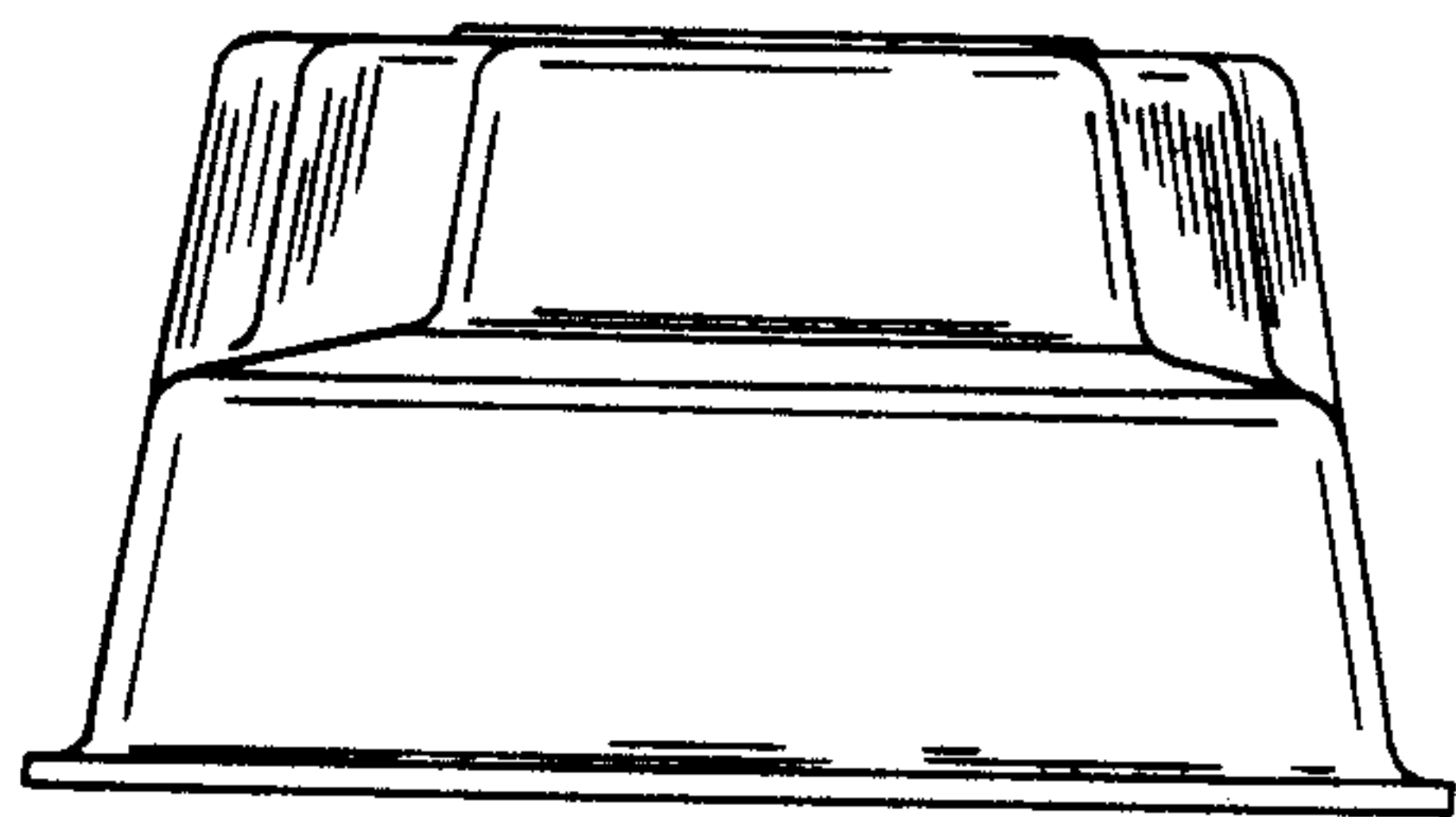
**FIG. 1**



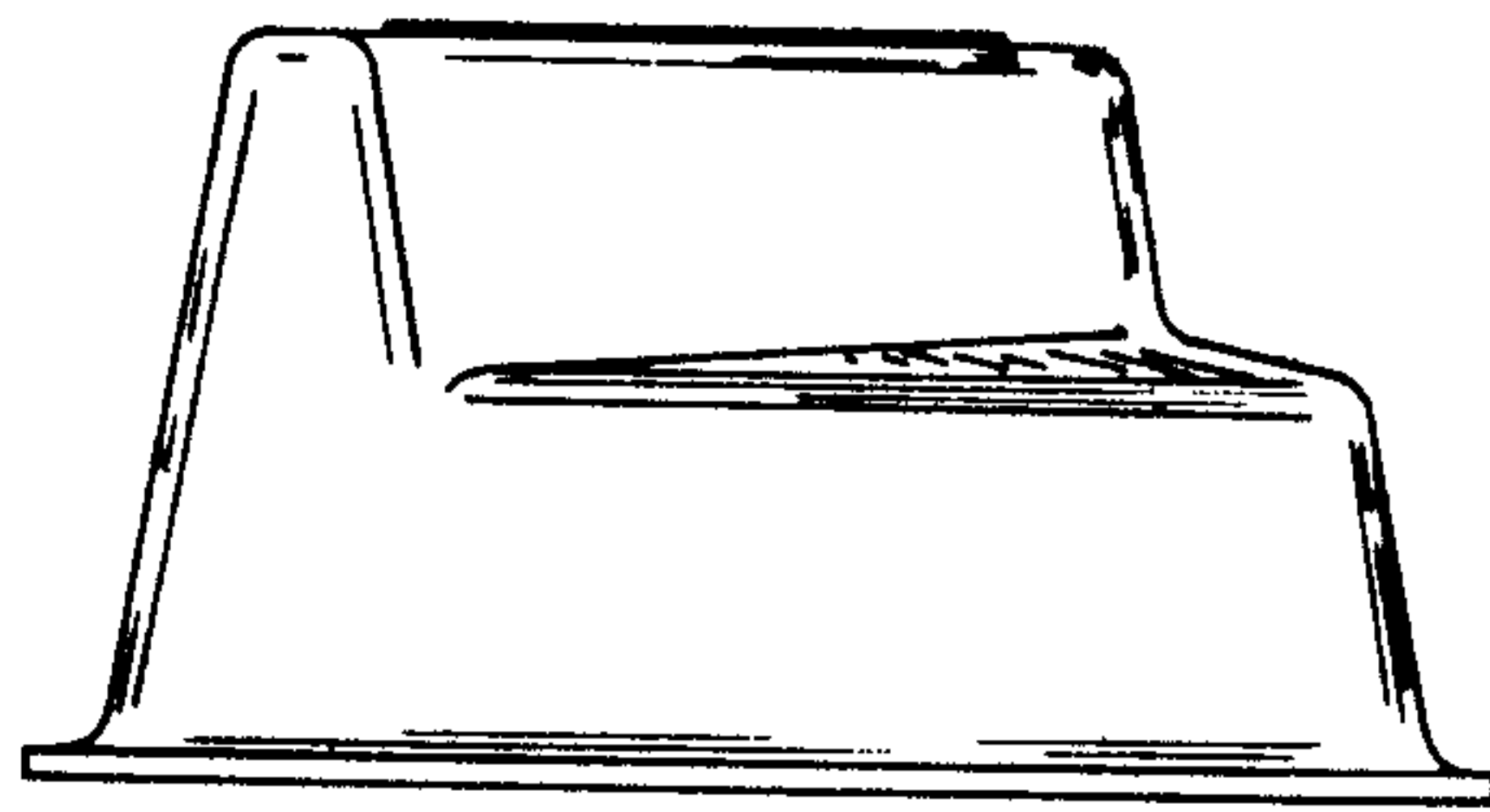
**FIG. 2**



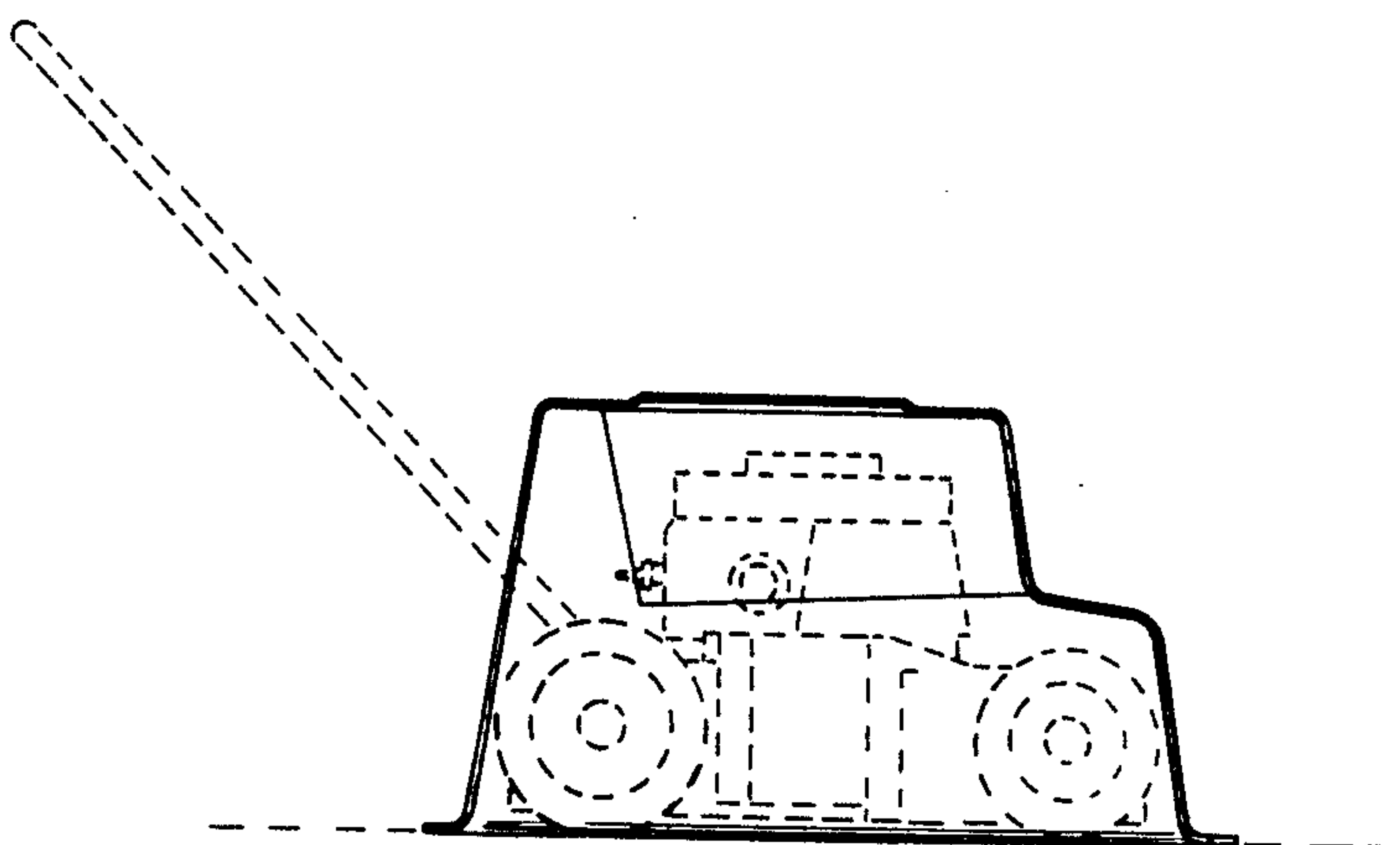
**FIG. 3**



**FIG. 4**



**FIG. 5**



**FIG. 6**