

[54] ELECTRICAL KILOWATT-HOUR METER POSITION ADAPTER

[76] Inventor: Mario Salazar, 4524 N. Pershing St., San Bernadino, Calif. 92407

[**] Term: 14 Years

[21] Appl. No.: 4,900

[22] Filed: Jan. 19, 1979

[51] Int. Cl. D13-03

[52] U.S. Cl. D13/31; D10/102

[58] Field of Search D13/30, 31; D10/99, D10/100, 102 X; 174/50, 52 R; 361/369, 370, 371; 339/154 A, 166 R, 166 T; 329/156

[56] References Cited

U.S. PATENT DOCUMENTS

- D. 84,336 6/1931 Hazard D10/100 X
- D. 94,322 1/1935 Bakke D10/100

- D. 219,792 1/1971 Grosso D10/100
- D. 243,699 3/1977 Plummer D13/31
- 4,121,147 10/1978 Becker 361/369 X

Primary Examiner—Nelson C. Holtje
Attorney, Agent, or Firm—Christie, Parker & Hale

[57] CLAIM

The ornamental design for an electrical kilowatt-hour meter position adapter, substantially as shown and described.

DESCRIPTION

FIG. 1 is an isometric view of an electrical kilowatt-hour meter position adapter showing my new design;
 FIG. 2 is a front elevational view thereof;
 FIG. 3 is a top plan view thereof;
 FIG. 4 is a bottom plan view thereof;
 FIG. 5 is a side elevation view thereof, the opposite side being a mirror image; and
 FIG. 6 is a rear elevation view thereof.

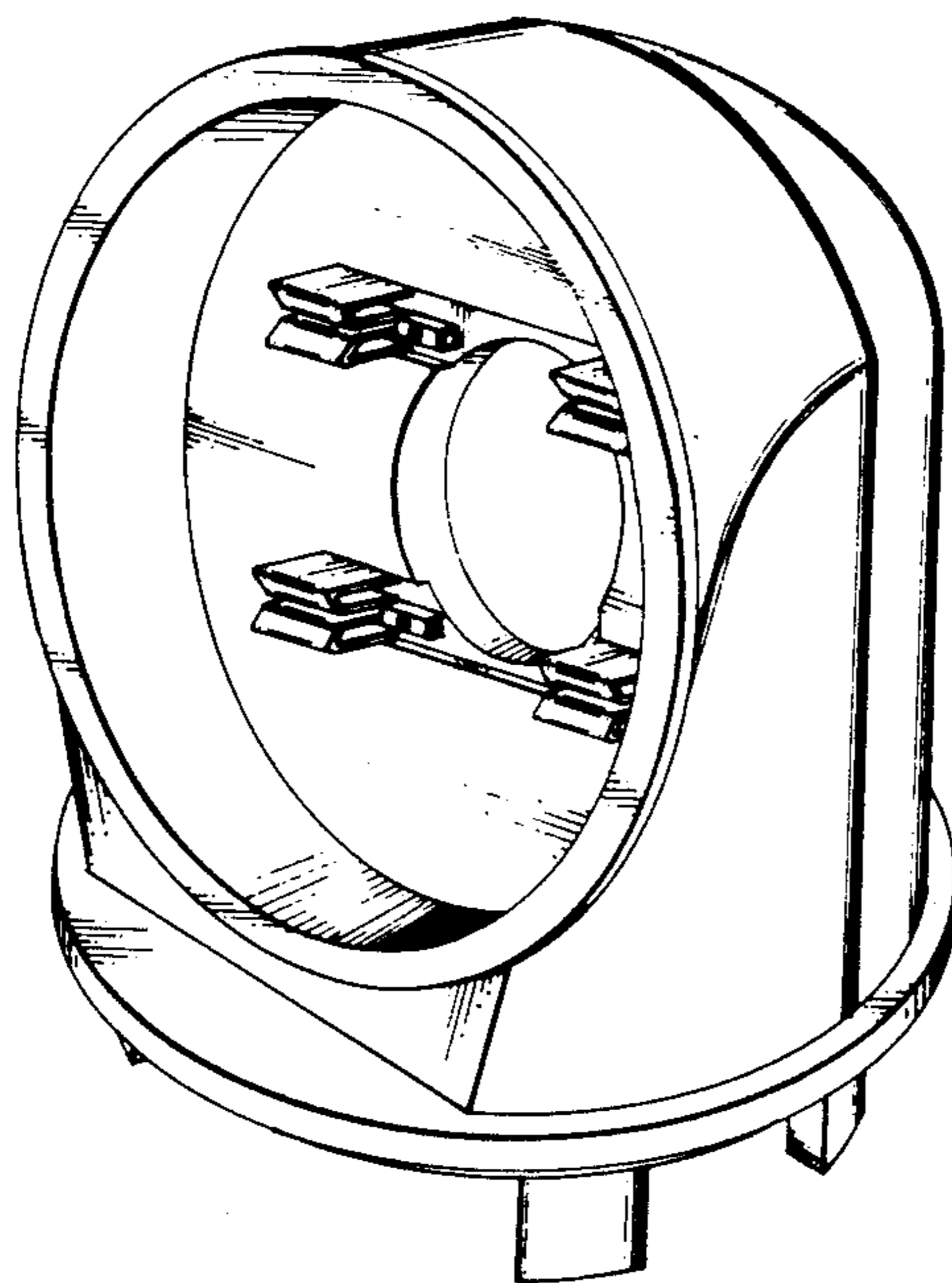


Fig. 1

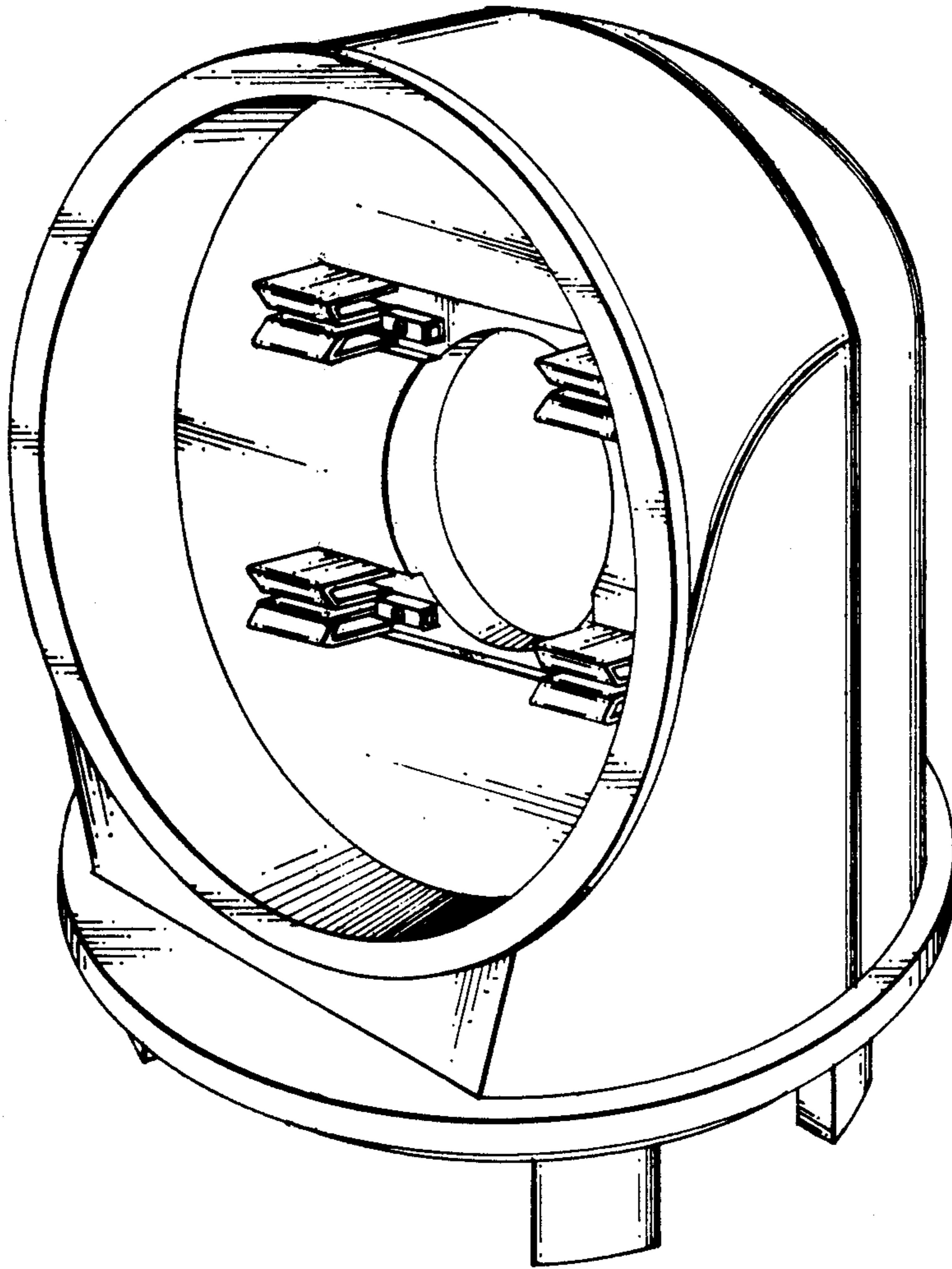


Fig. 2

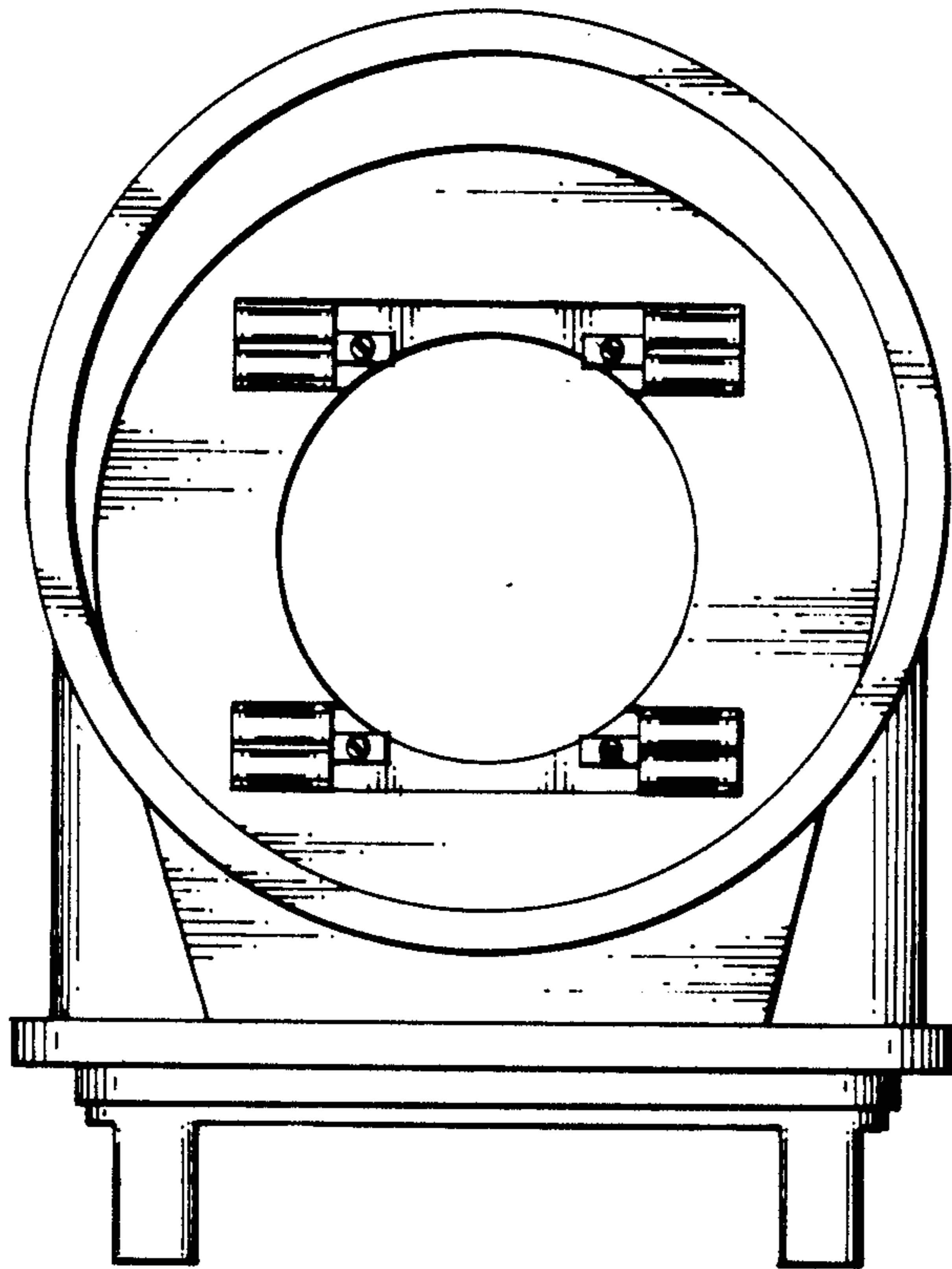


Fig. 3

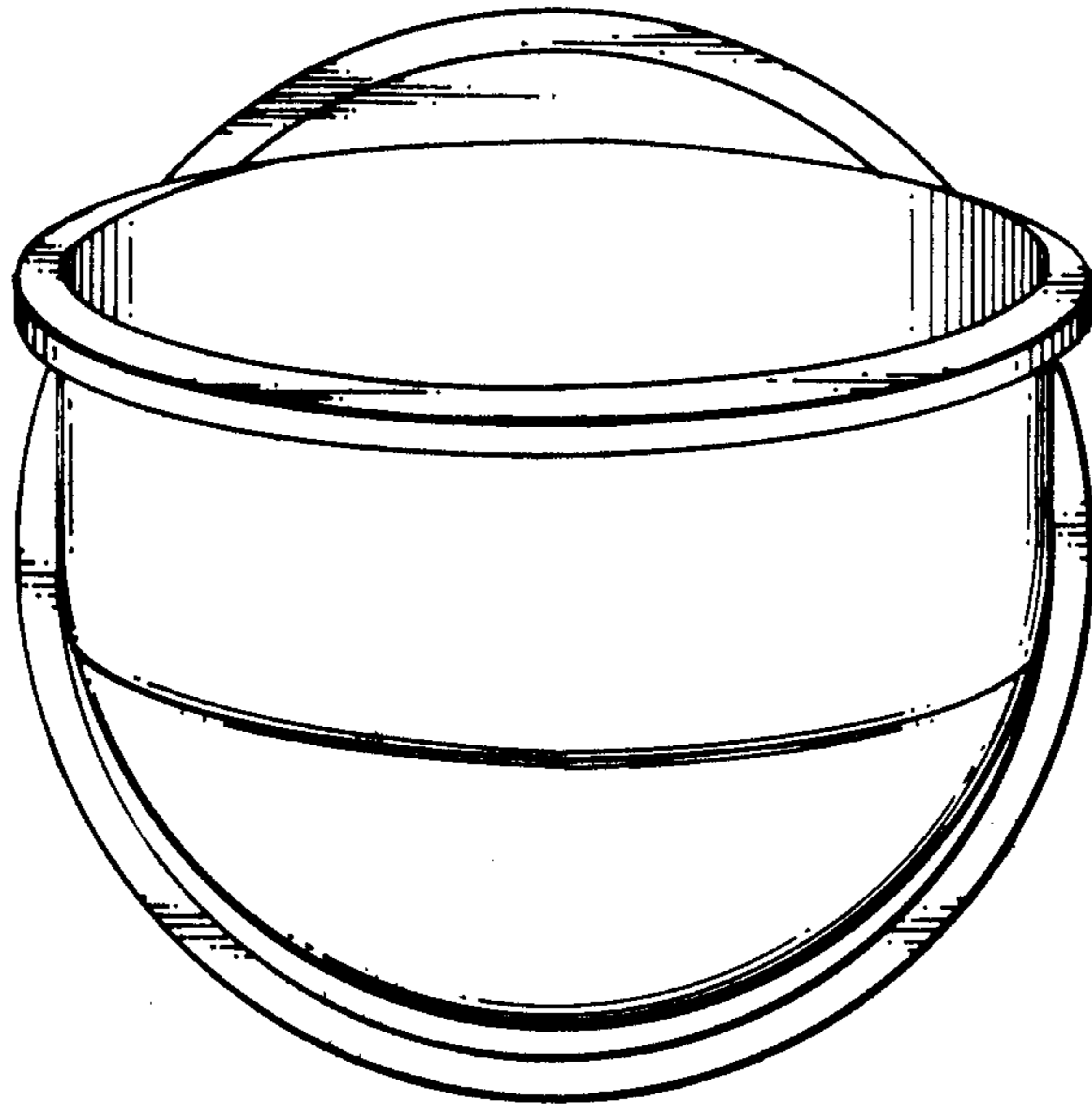


Fig. 4

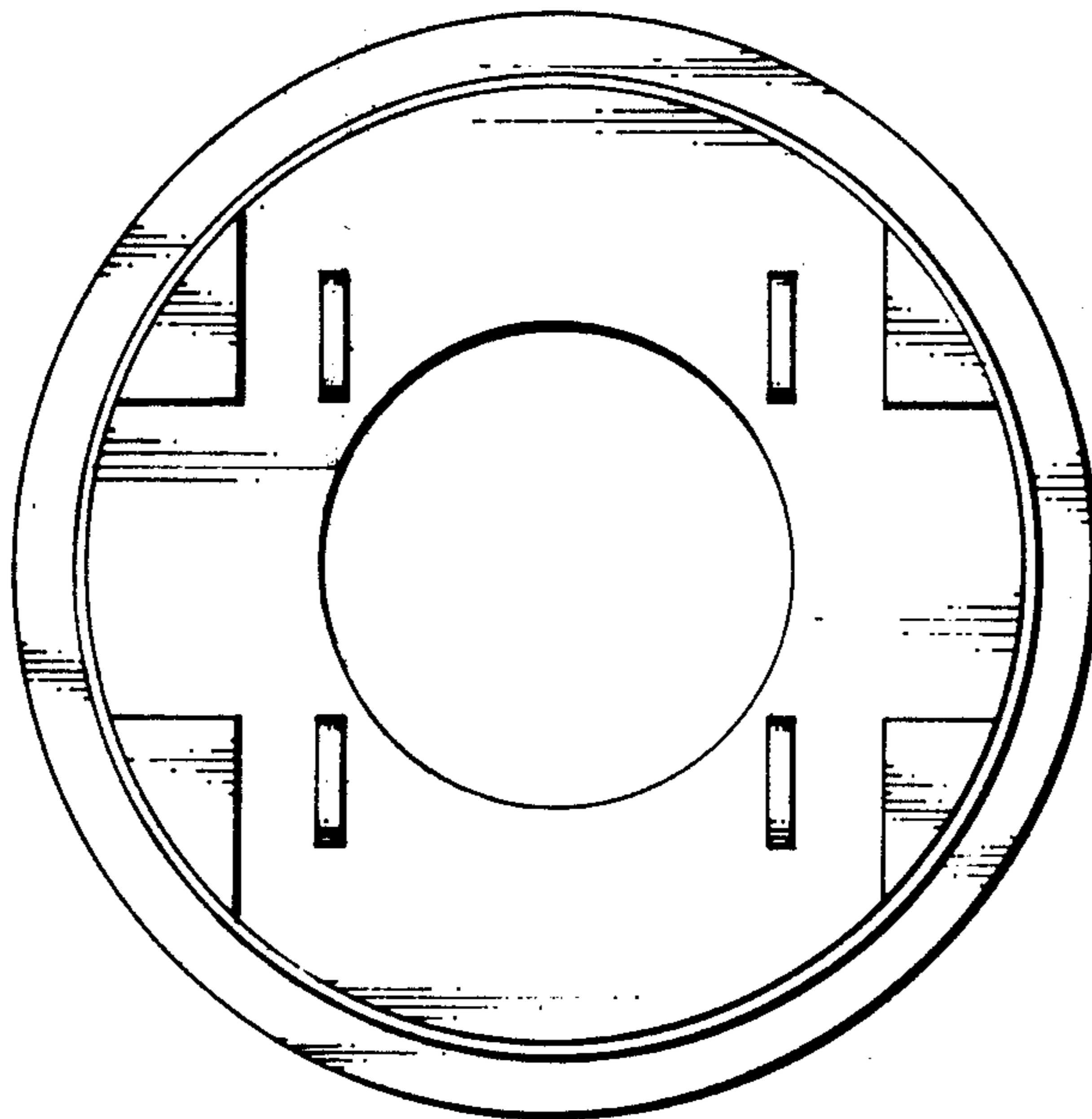


Fig. 5

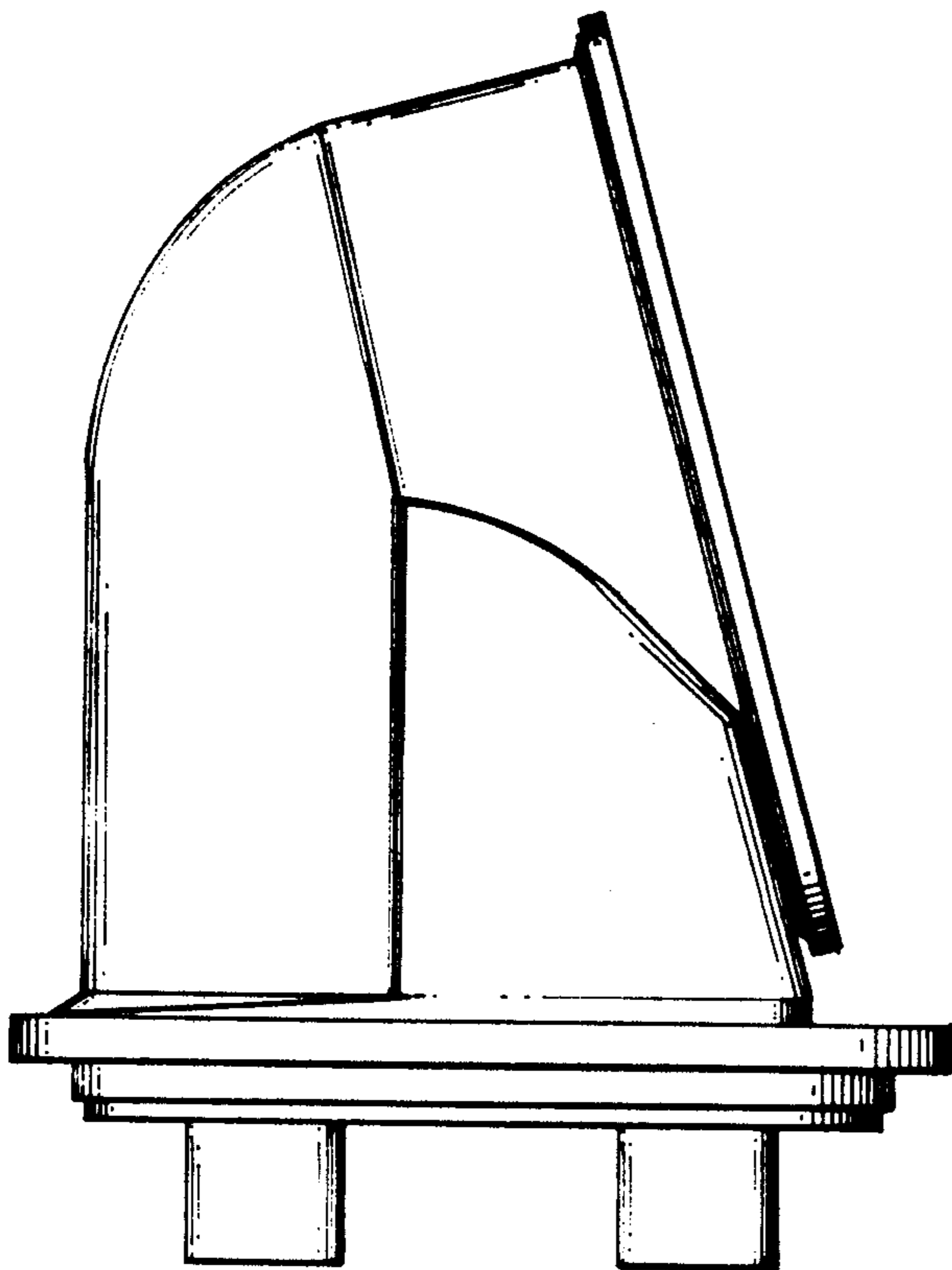


Fig. 6

