

[54] **ADJUSTABLE SHADE MOUNTING HEAD AND PULL-ROPE GUIDE ASSEMBLY**

[76] Inventor: **Lyman N. Fairbanks**, 840 S. Pickett St., Alexandria, Va. 22304

[**] Term: **14 Years**

[21] Appl. No.: **62,495**

[22] Filed: **Jul. 31, 1979**

[51] Int. Cl. **D8-08**

[52] U.S. Cl. **D8/377; D8/376; D25/73**

[58] **Field of Search** 16/87.4 R, 87.4 W, 95 R, 16/95 W, 95 D; 403/300, 305, 309, 104, 109; D8/363, 376, 377; D25/74, 77, 78, 73

[56] **References Cited**

U.S. PATENT DOCUMENTS

2,912,713	11/1959	Nelson	16/95 R
3,098,520	7/1963	Greenstadt et al.	16/95 D X
3,424,225	1/1969	Magnusson	16/95 D X
4,014,071	3/1977	Janson	16/95 R
4,115,899	9/1978	Ford	16/87.4 R

FOREIGN PATENT DOCUMENTS

902085 7/1962 United Kingdom 16/95 D

Primary Examiner—A. Hugo Word

Attorney, Agent, or Firm—Mason, Fenwick & Lawrence

[57] **CLAIM**

The ornamental design for an adjustable shade mounting head and pull-rope guide assembly, as shown and described.

DESCRIPTION

FIG. 1 is a perspective view of an adjustable shade mounting head and pull-rope guide assembly embodying our new design, viewed from the front and above the assembly;

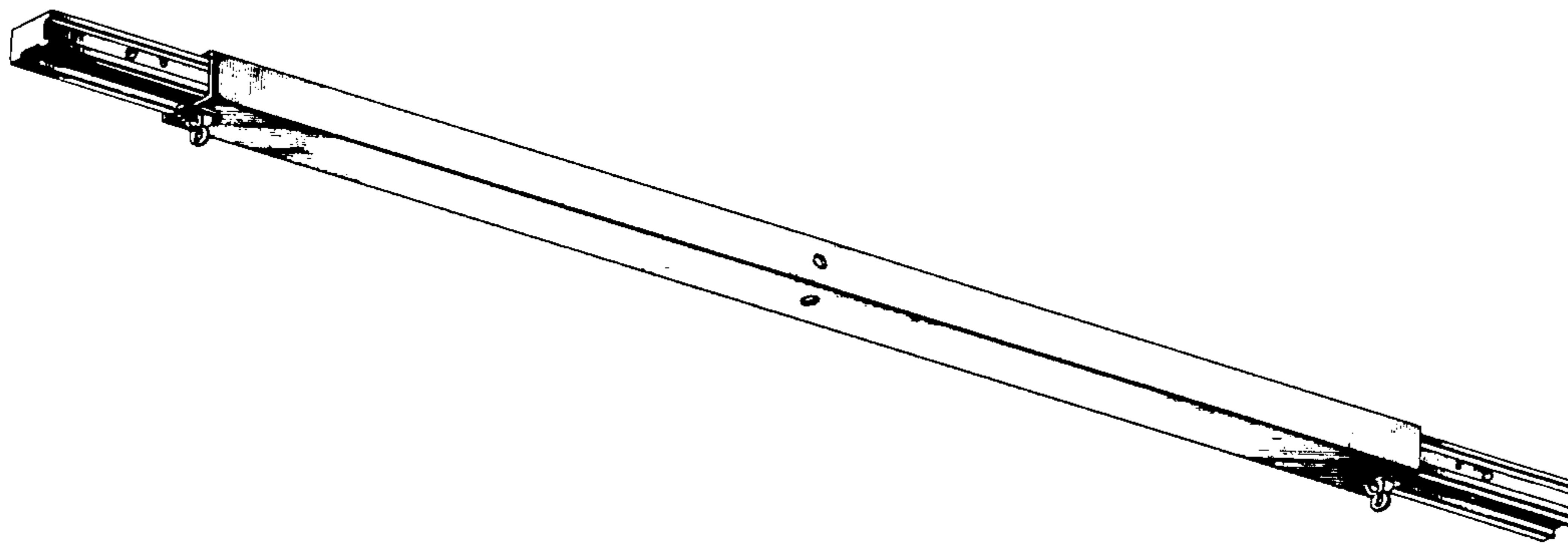
FIG. 2 is a perspective view thereof, viewed from the rear and below the assembly;

FIG. 3 is an end elevation view thereof, viewed from the left of FIG. 1;

FIG. 4 is a fragmentary top plan view thereof;

FIG. 5 is a fragmentary front elevation view thereof; and

FIG. 6 is a fragmentary bottom view thereof.



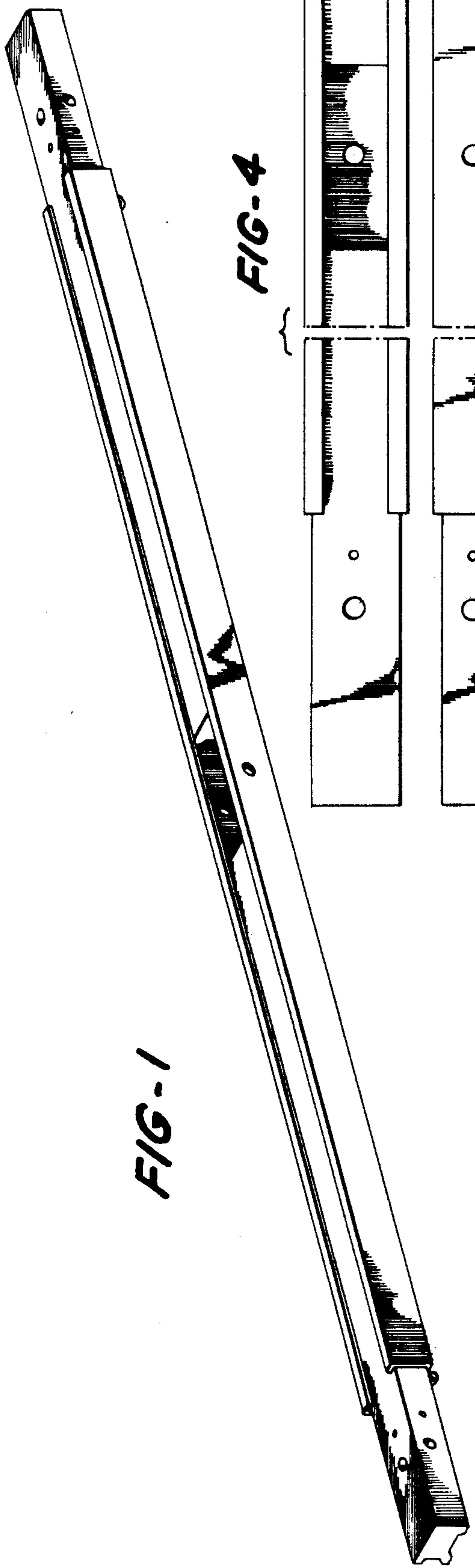


FIG-4

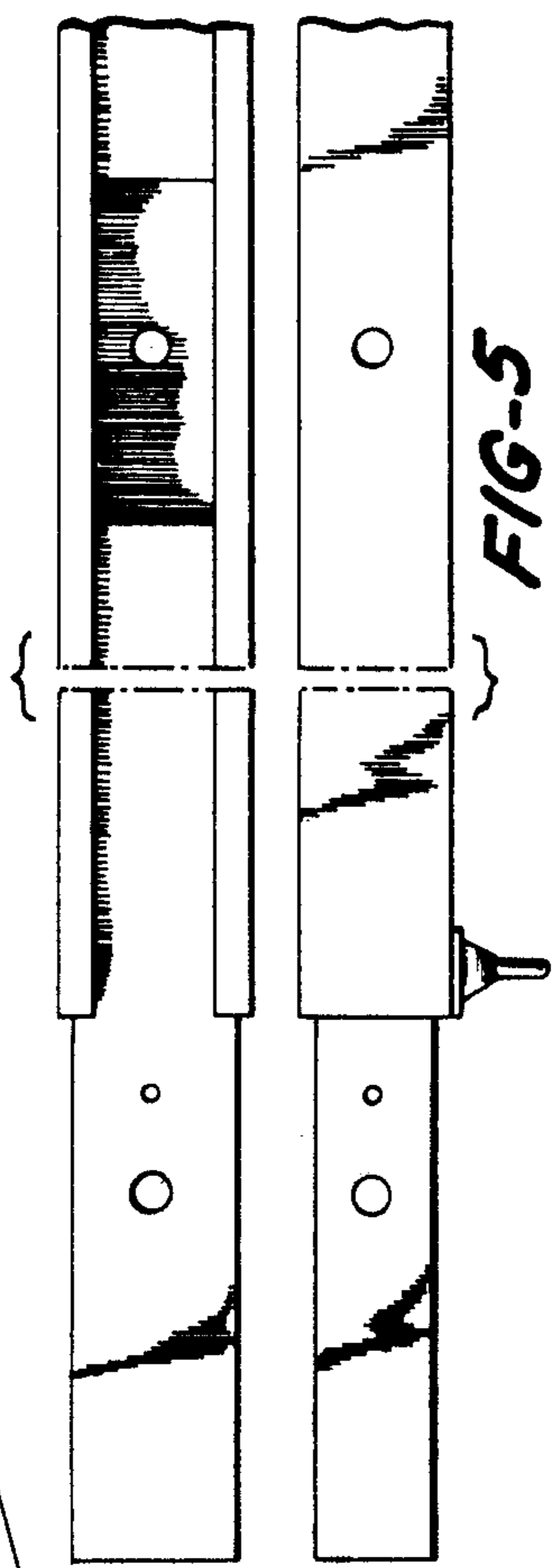


FIG-5

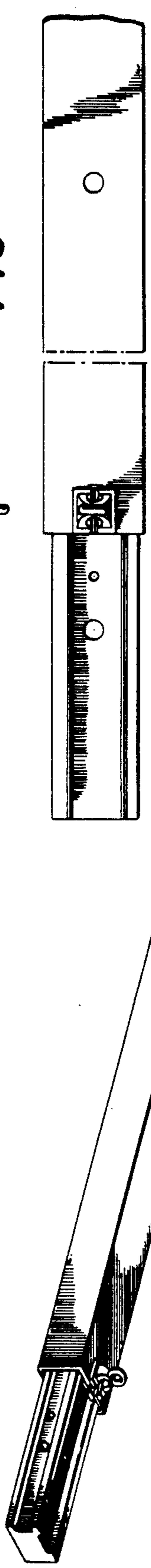


FIG-6

FIG-2

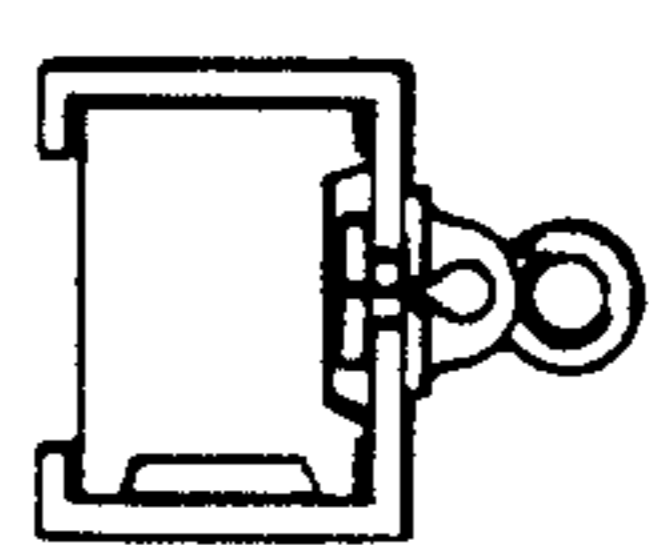


FIG-3