

[54] LETTER OPENER

[75] Inventors: John J. Power, Westbury, N.Y.; Raymond H. Van Wagener, Darien, Conn.; John C. Costello, Syracuse; Arthur J. Pulos, Fayetteville, both of N.Y.

[73] Assignee: Swingline Inc., Long Island City, N.Y.

[**] Term: 14 Years

[21] Appl. No.: 906,767

[22] Filed: May 16, 1978

[51] Int. Cl. D8-04

[52] U.S. Cl. D8/61; D8/102; 83/912

[58] Field of Search D8/61, 102, 104, 64, D8/66; 83/912

[56] References Cited

U.S. PATENT DOCUMENTS

D. 202,673	10/1965	Kamp	D8/61
D. 204,338	4/1966	MacKrell	D8/61
D. 212,062	8/1968	Davis	D8/102
2,672,930	3/1954	Iffland	D8/61 UX
3,381,564	5/1968	Whiteford	83/912

Primary Examiner—Donald B. Moyer
Attorney, Agent, or Firm—Pennie & Edmonds

[57] CLAIM

The ornamental design for a letter opener, substantially as shown and described.

DESCRIPTION

FIG. 1 is a perspective view of the letter opener showing our new design;

FIG. 2 is a front elevational view;

FIG. 3 is a left side elevational view;

FIG. 4 is a right side elevational view;

FIG. 5 is a top plan view;

FIG. 6 is a rear elevational view; and

FIG. 7 is a bottom plan view.

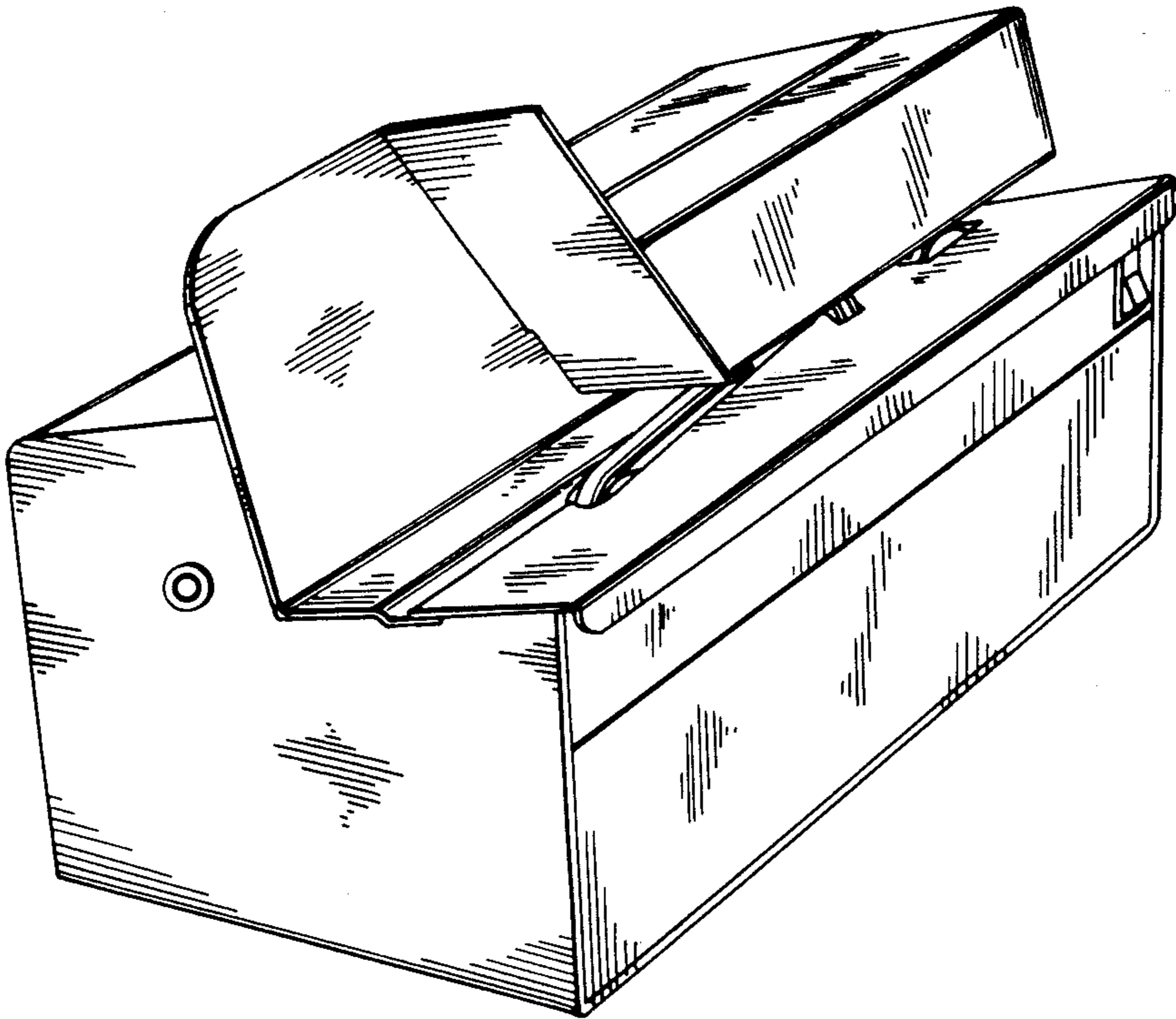


FIG. 1

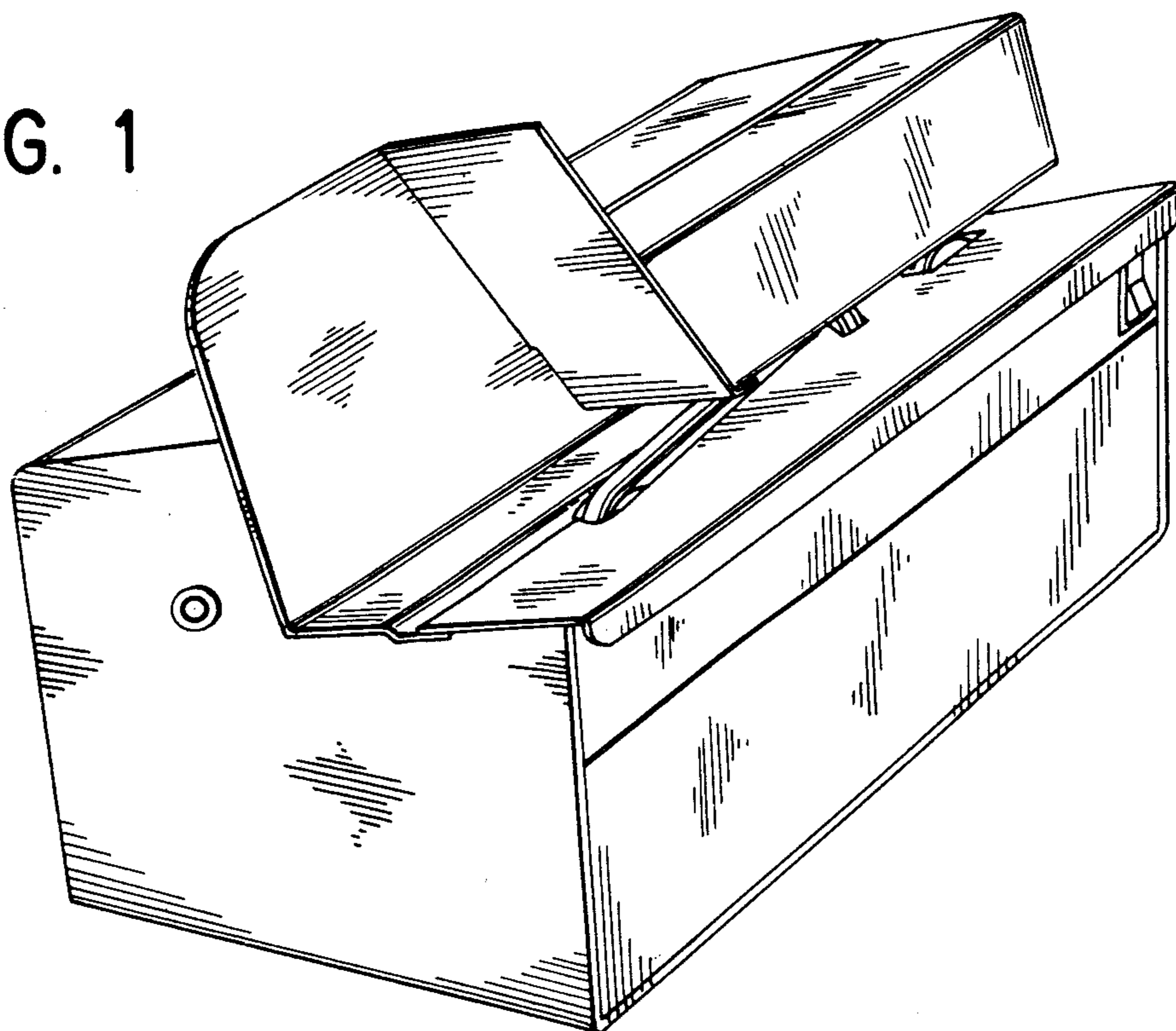


FIG. 2

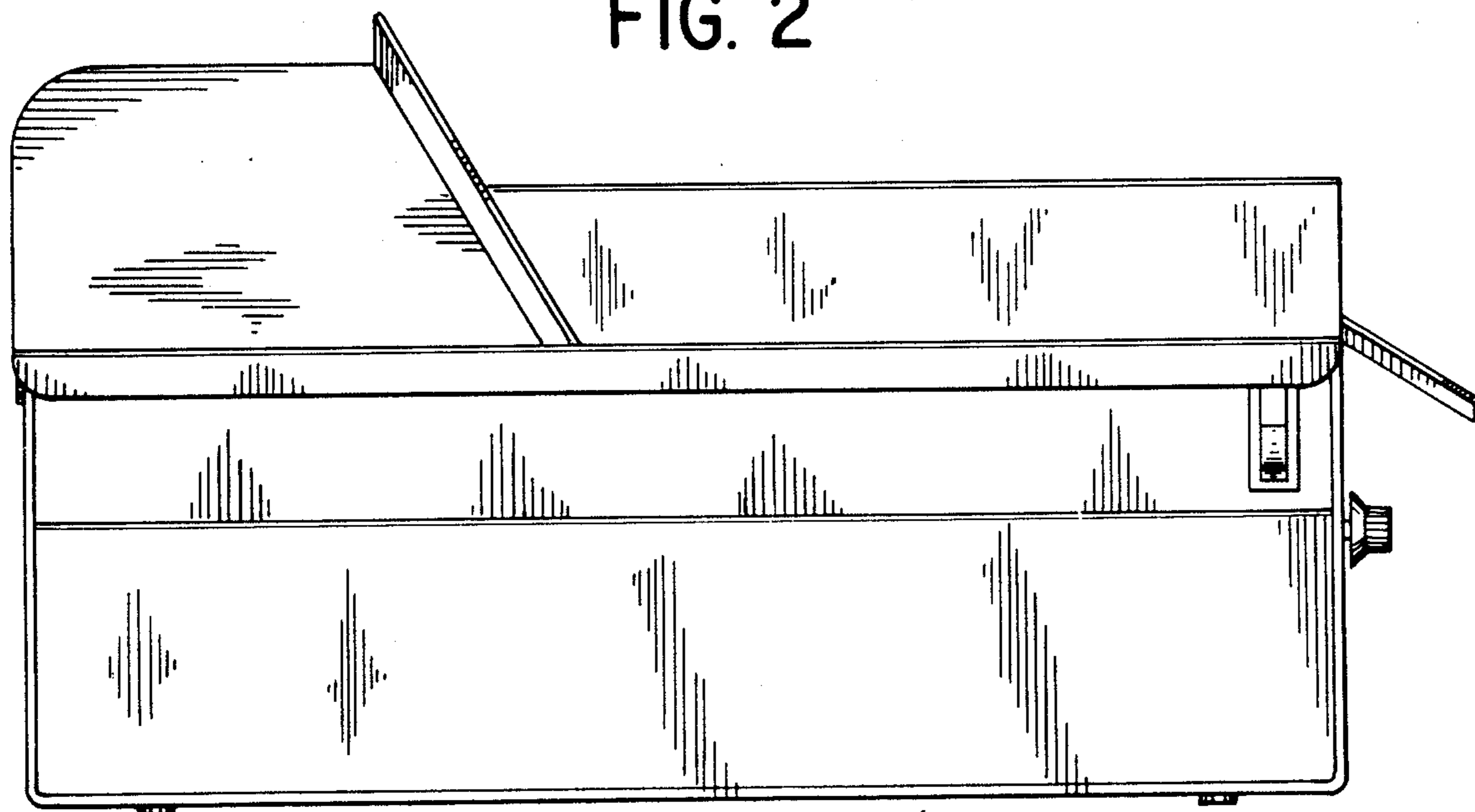


FIG. 3

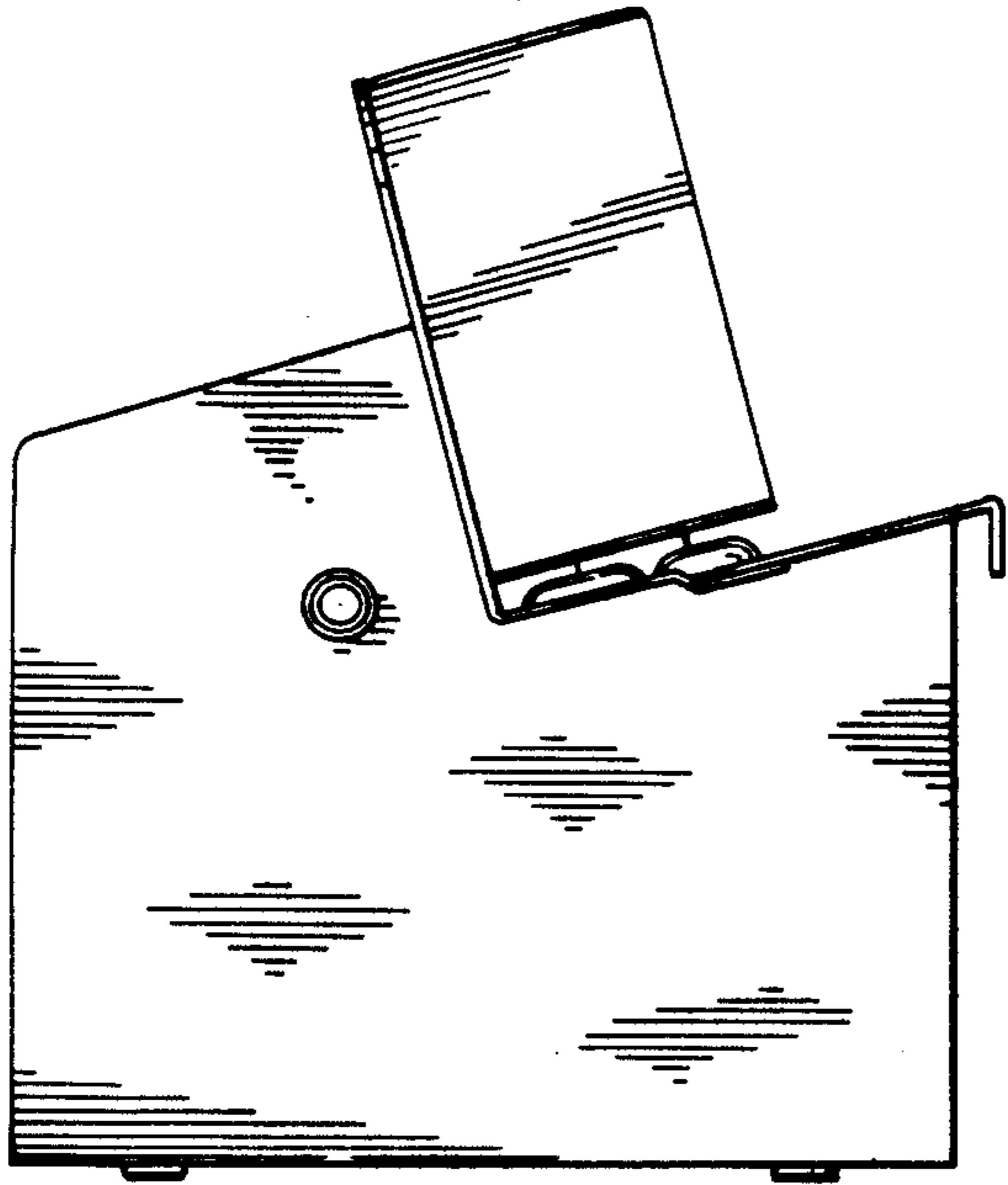


FIG. 4

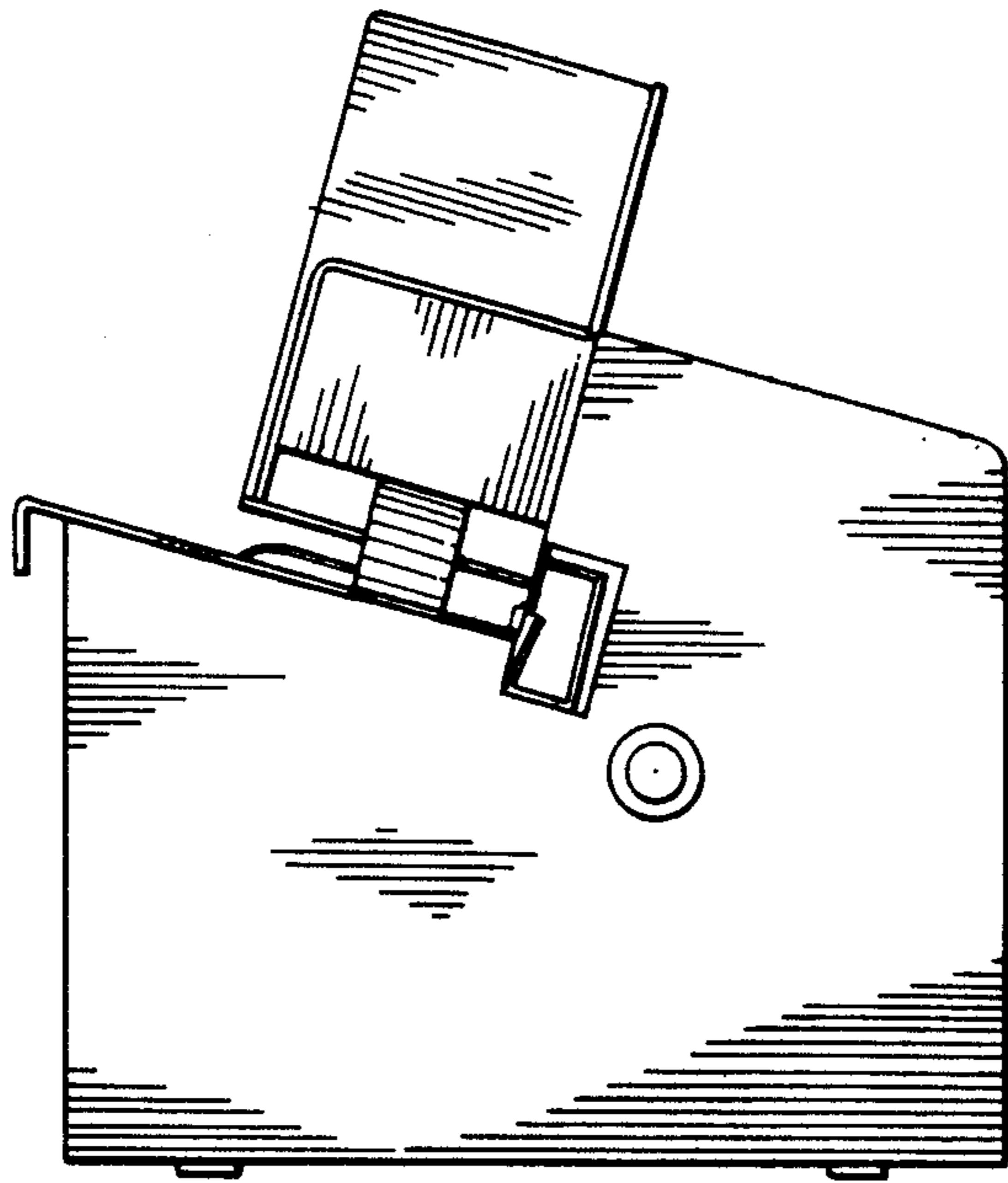


FIG. 5

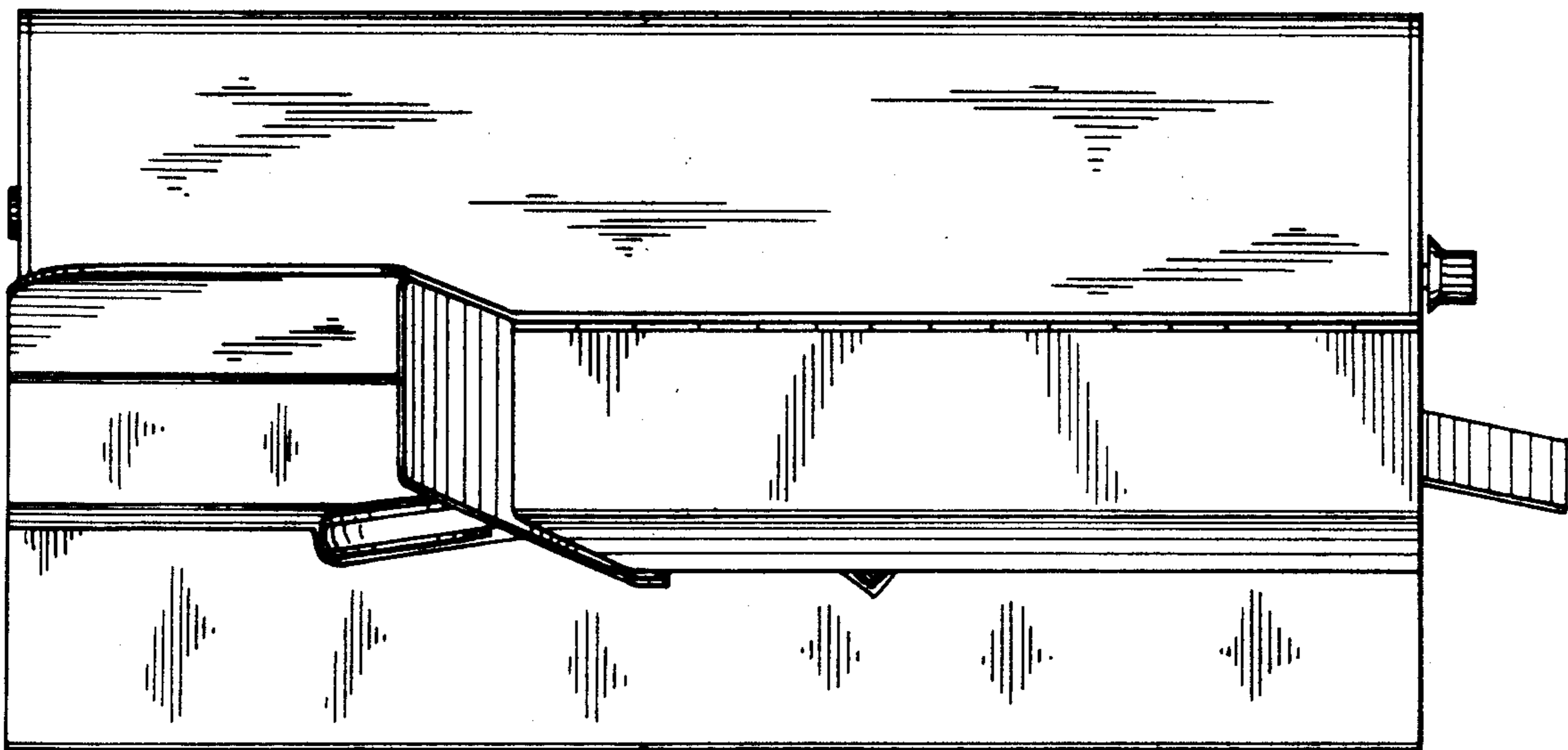


FIG. 6

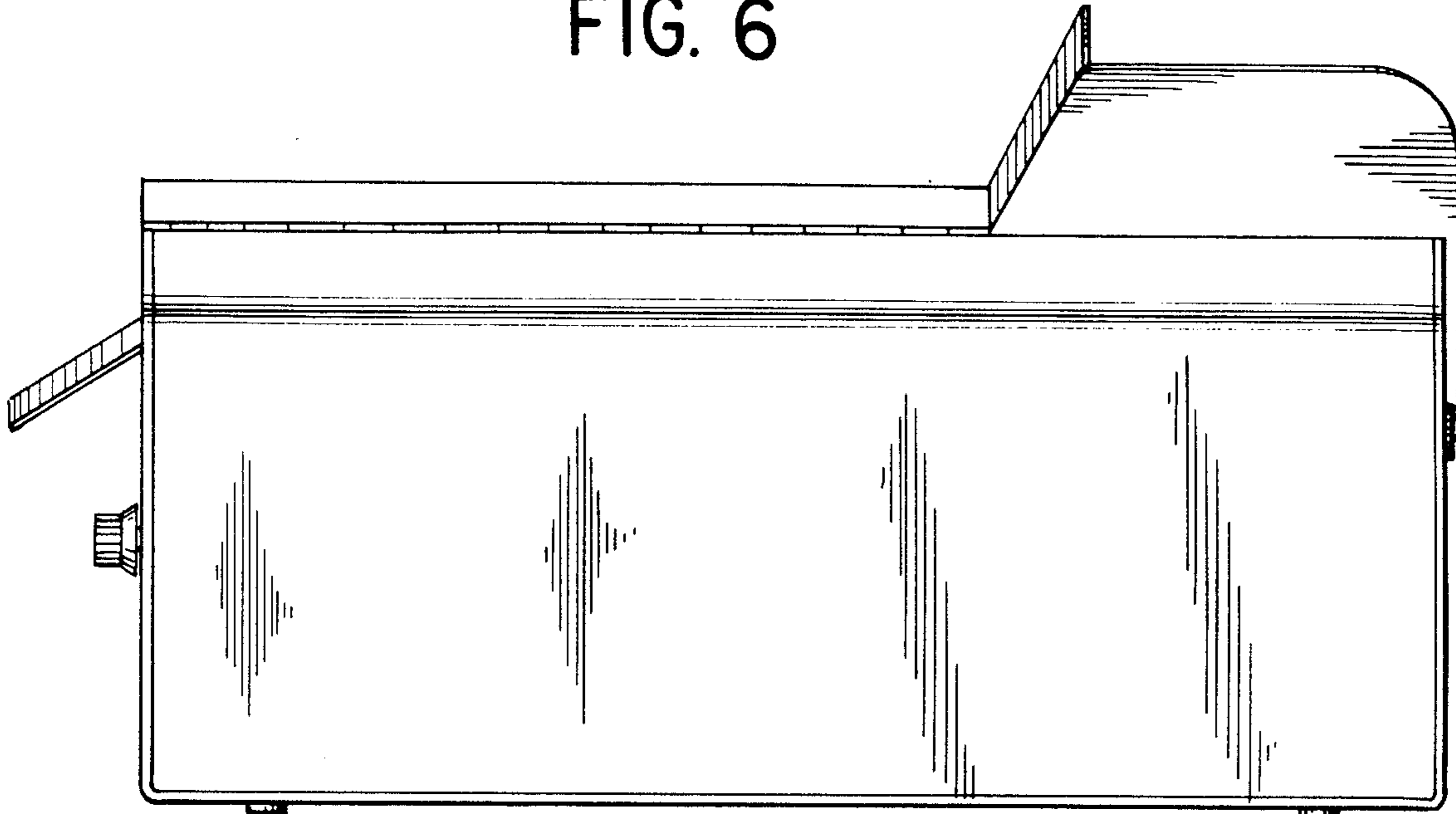


FIG. 7

