

[54] HOT DOG COOKER

[75] Inventors: Russell D. Hiatt, West Bend, Wis.;  
David L. Painter, Glenview, Ill.

[73] Assignee: Dart Industries Inc., Los Angeles,  
Calif.

[\*\*] Term: 14 Years

[21] Appl. No.: 46,879

[22] Filed: Jun. 8, 1979

[51] Int. Cl. .... D07-02

[52] U.S. Cl. .... D7/85; D21/114;  
D30/1

[58] Field of Search ..... D9/197; D21/114, 115,  
D21/116, 117, 118; D30/1, 3, 13, 14

[56] References Cited

U.S. PATENT DOCUMENTS

D. 218,902	10/1970	Kelley .....	D30/1
D. 227,126	6/1973	Brison .....	D30/1
D. 234,703	4/1975	Fry .....	D30/13
D. 244,172	5/1977	Lee .....	D7/85

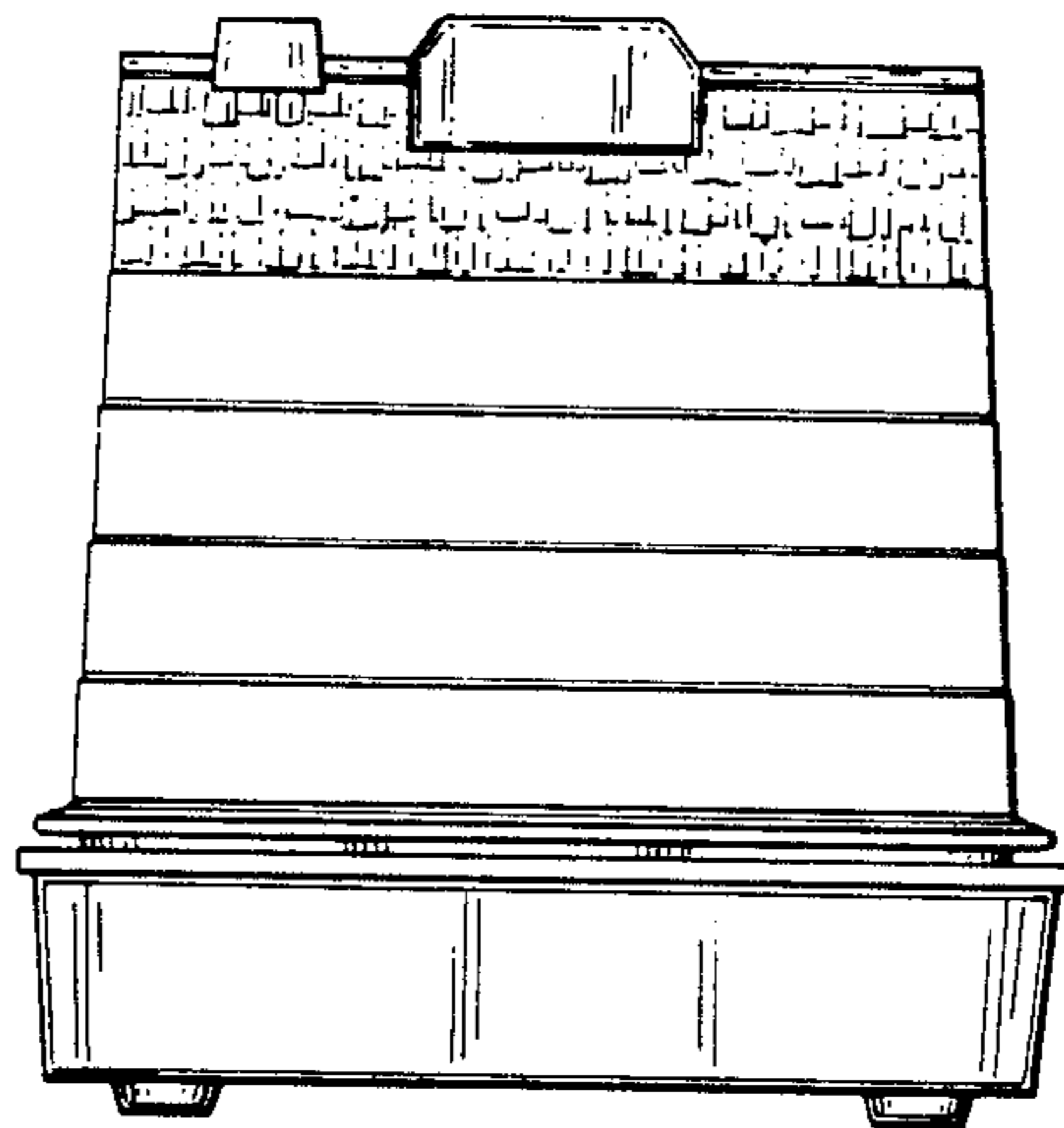
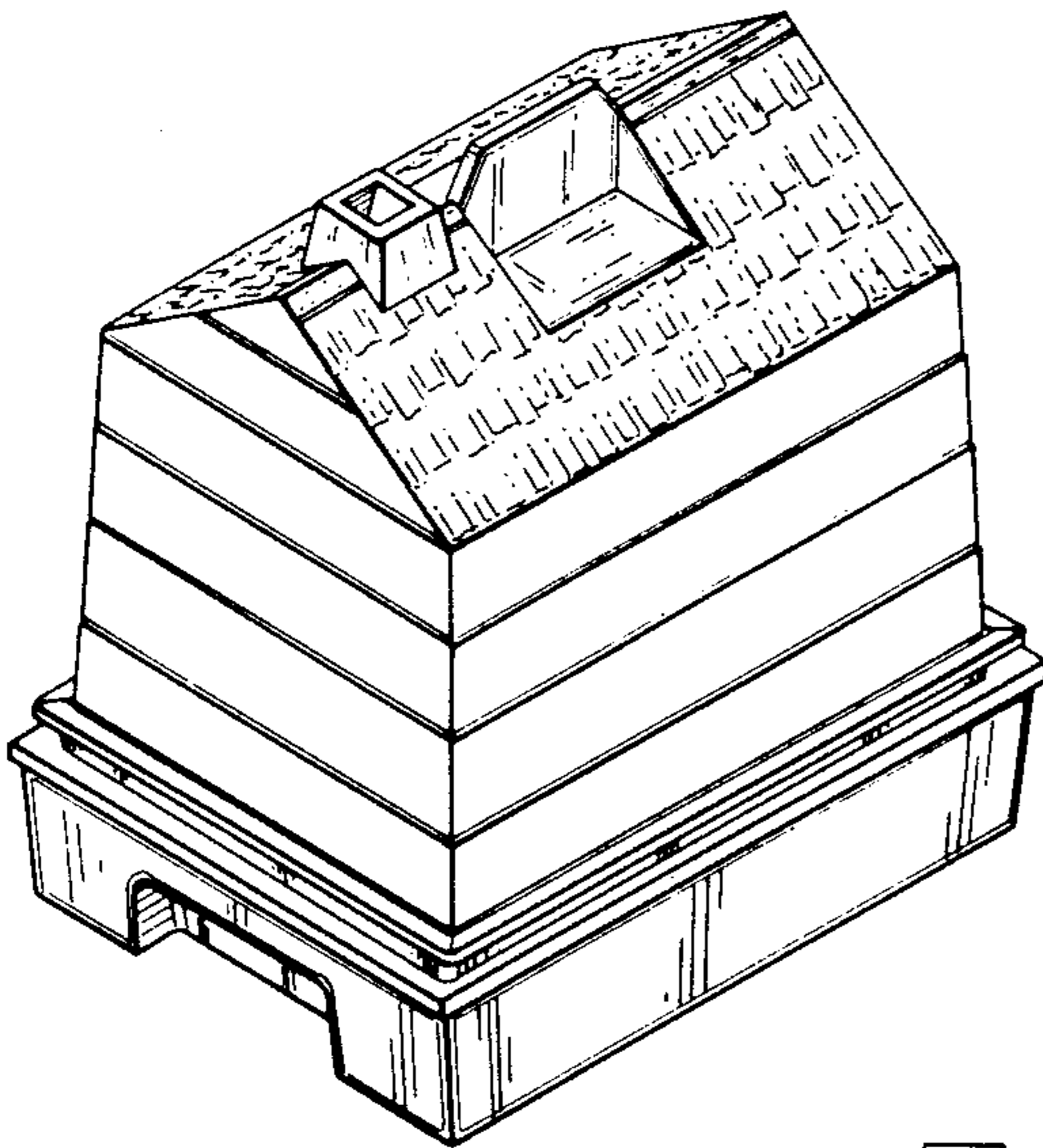
Primary Examiner—Winifred E. Herrmann  
Attorney, Agent, or Firm—Kenneth J. Hovet

[57] CLAIM

The ornamental design for a hot dog cooker, substan-  
tially as shown.

DESCRIPTION

FIG. 1 is a perspective view of a hot dog cooker show-  
ing our new design;  
FIG. 2 is an end elevational view;  
FIG. 3 is a side elevational view;  
FIG. 4 is a top plan view; and,  
FIG. 5 is a bottom plan view.



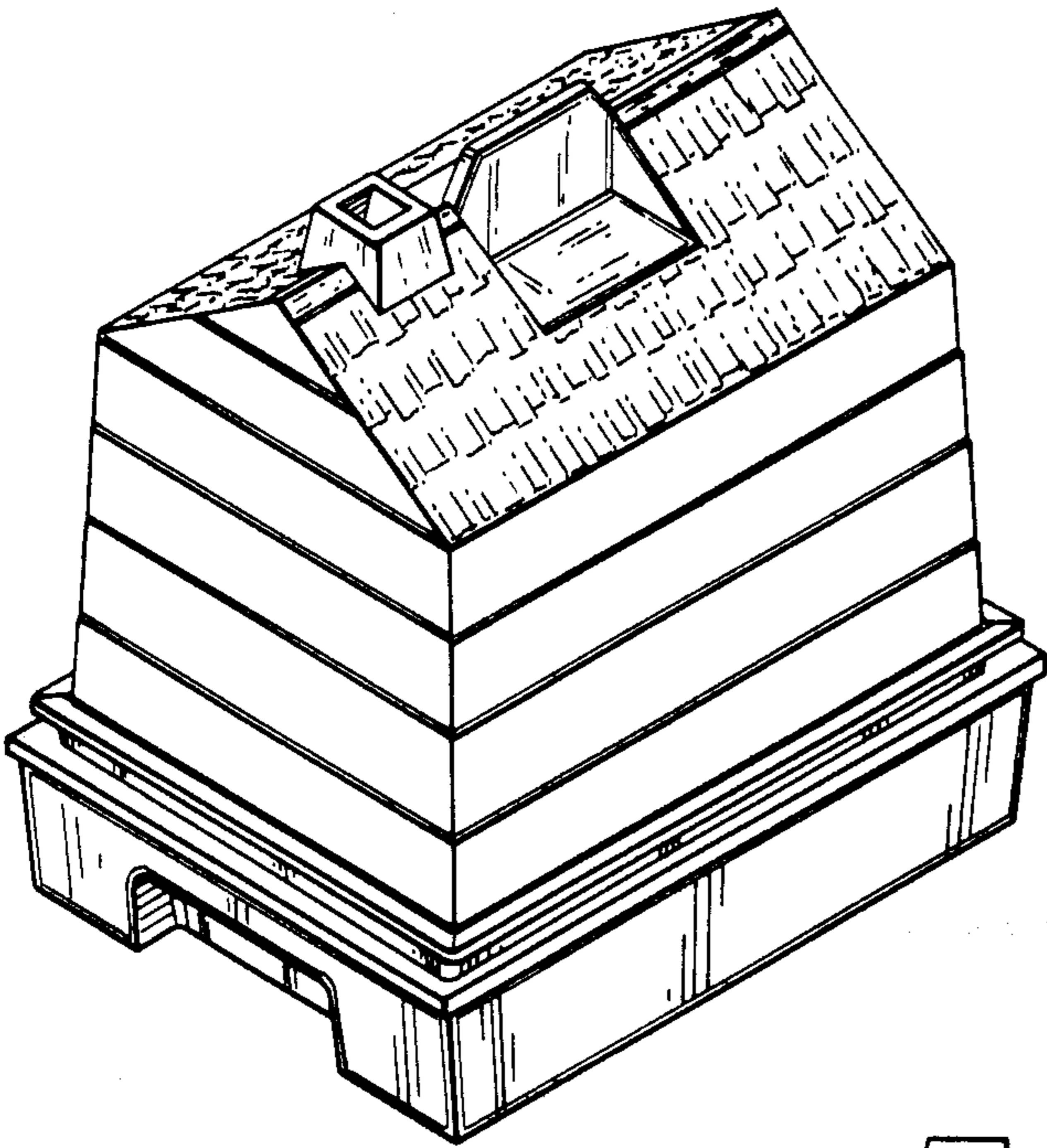


FIG. 1

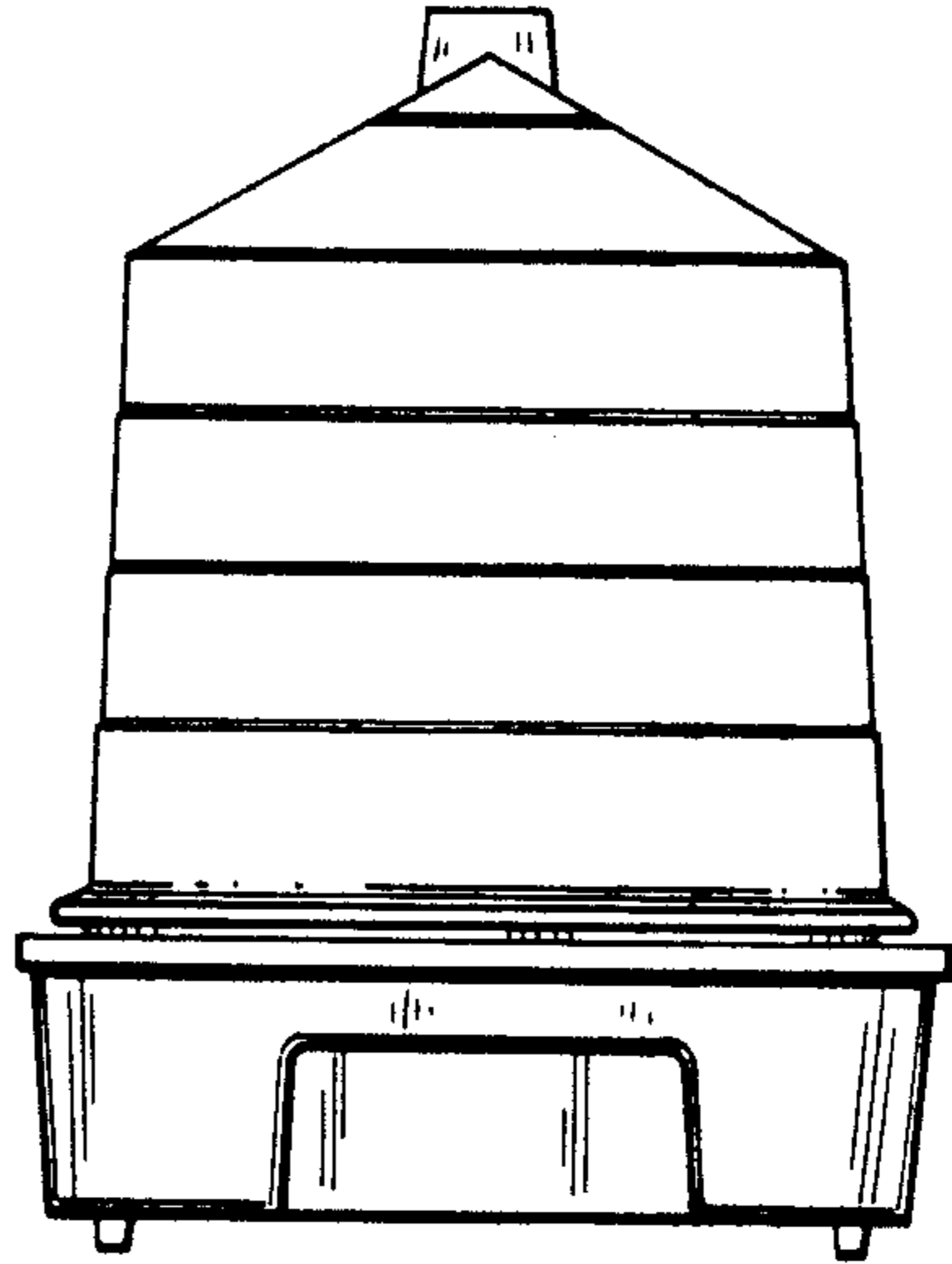


FIG. 2

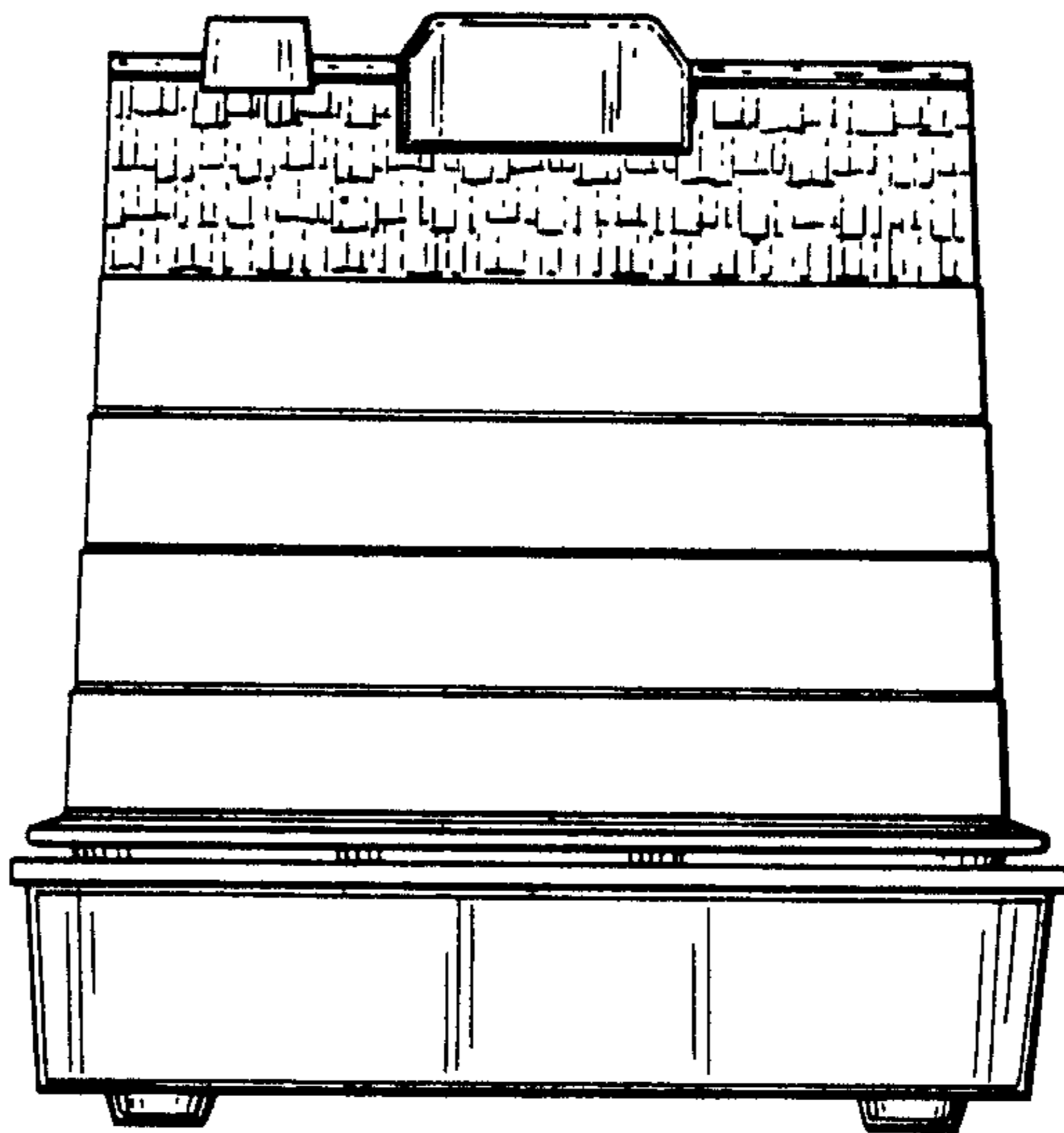


FIG. 3

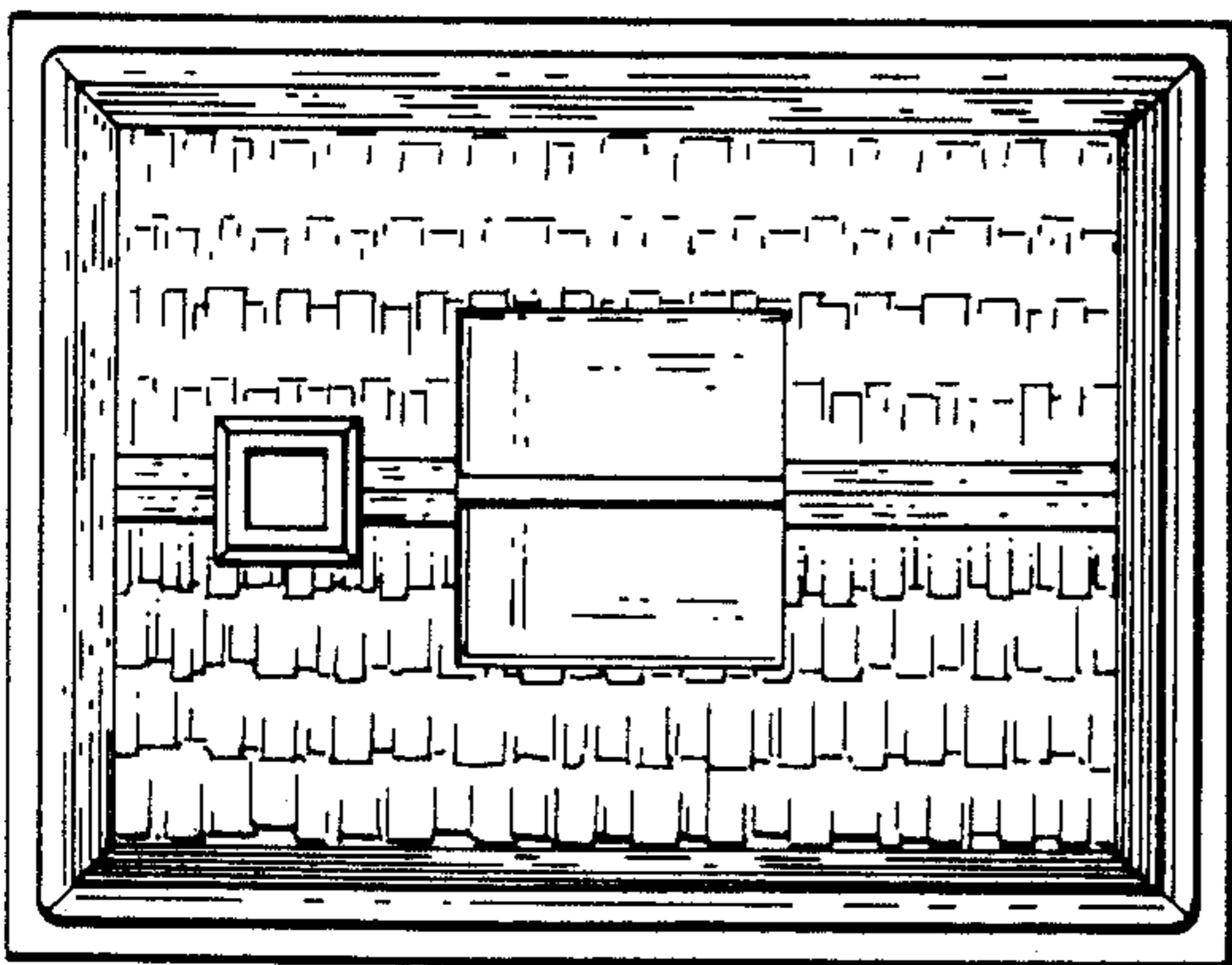


FIG. 4

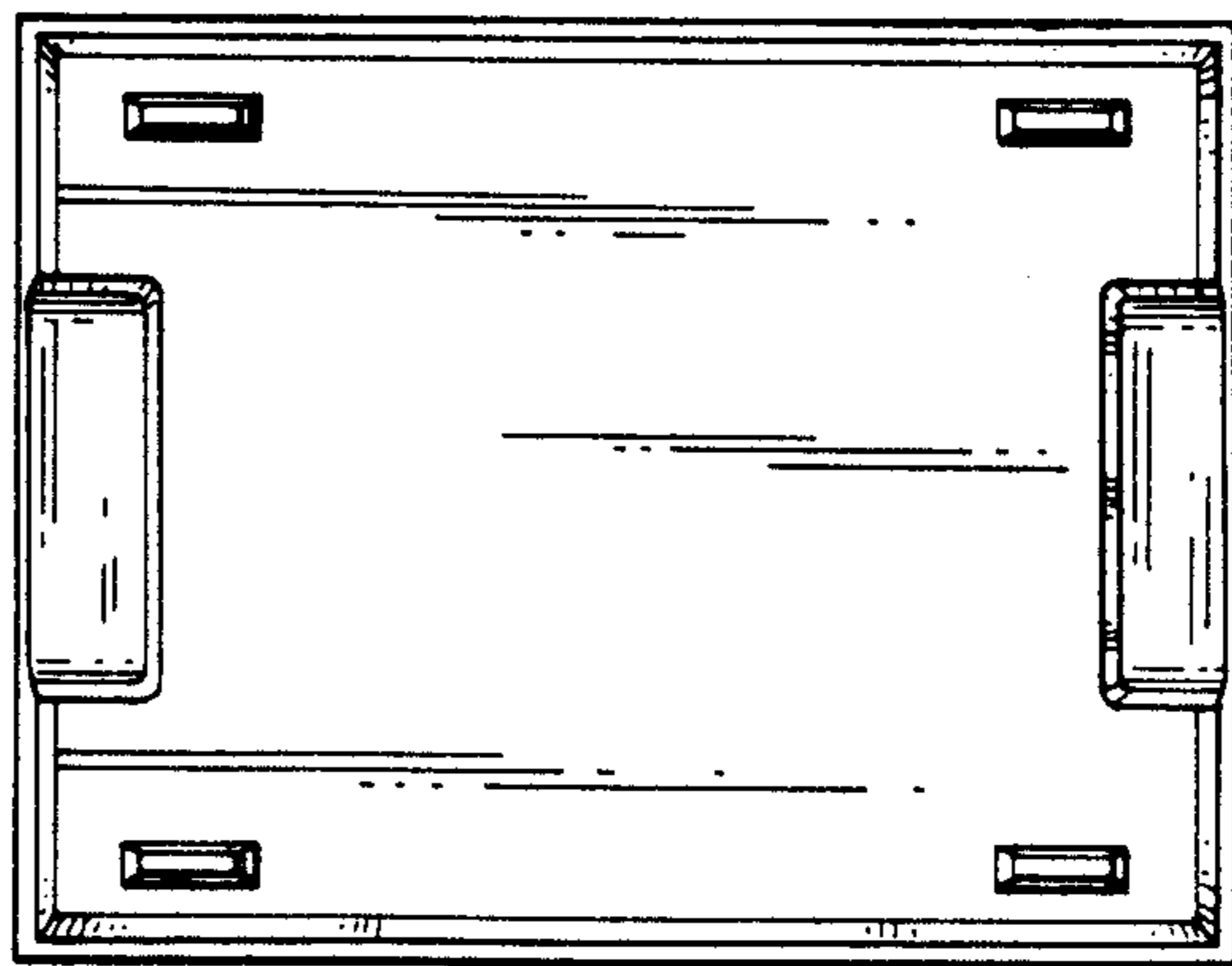


FIG. 5