

[54] MACHINE FOR GRATING, SLICING AND/OR GRINDING FOODSTUFFS

[76] Inventor: So Shun, 77, Hoi Yuen Rd., Flat B, 2nd Flr., Yip Fat Industrial Bldg., Kwung, Kowloon, Hong Kong

[**] Term: 14 Years

[21] Appl. No.: 79,719

[22] Filed: Sep. 28, 1979

[30] Foreign Application Priority Data

May 8, 1979 [GB] United Kingdom 989,814/79

[51] Int. Cl. D07-04

[52] U.S. Cl. D7/47; D7/155

[58] Field of Search D7/47, 155, 156; 241/92, 273.1, 278 R, 273.2

[56]

References Cited

U.S. PATENT DOCUMENTS

D. 156,557	12/1949	Piker	D7/47 X
D. 206,927	2/1967	Popeil	D7/155
D. 219,358	12/1970	Popeil et al.	D7/155
2,695,643	11/1954	Aberer	241/92
3,610,304	10/1971	Popeil et al.	241/92

Primary Examiner—Winifred E. Herrmann
Attorney, Agent, or Firm—Wood, Herron & Evans

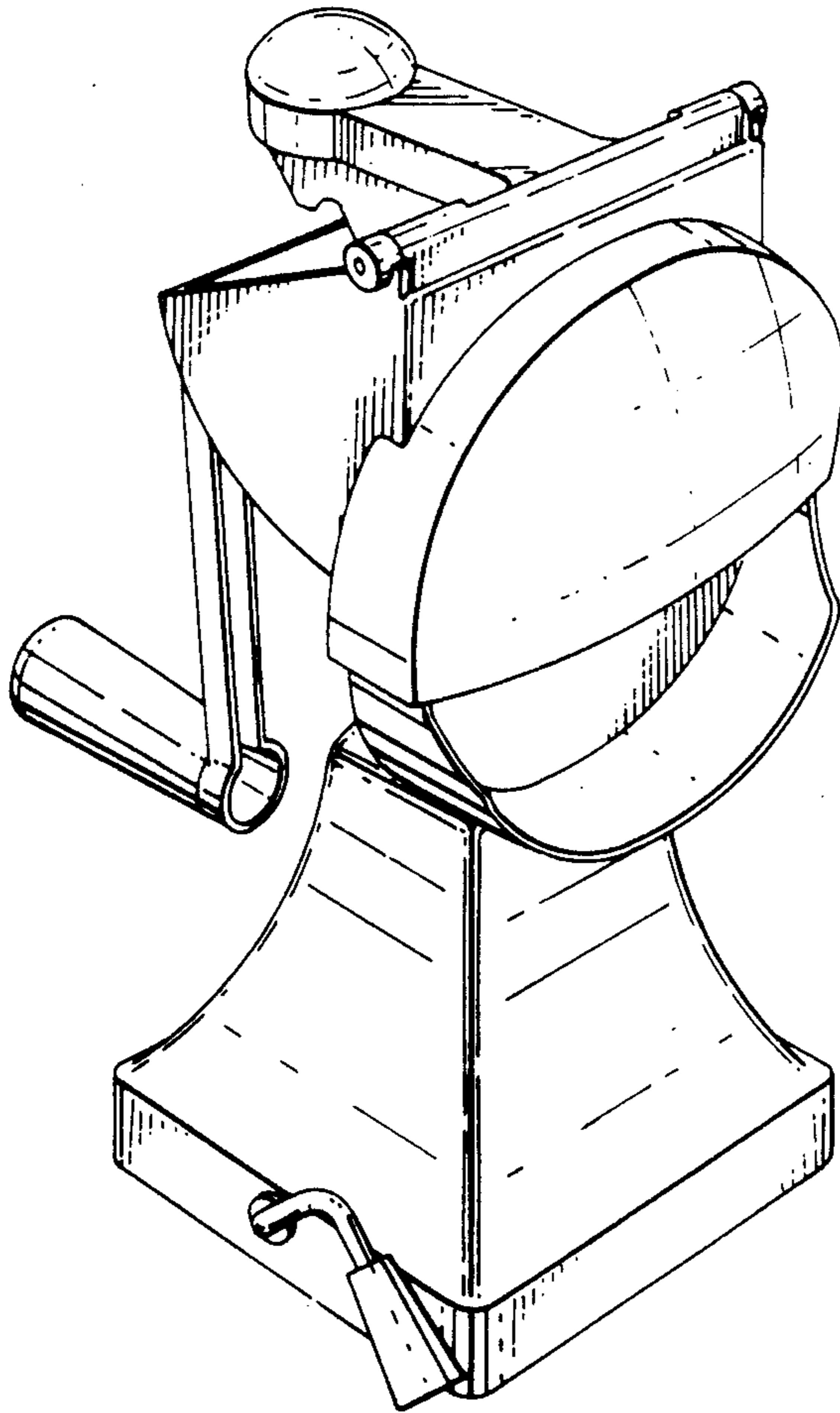
[57]

CLAIM

The ornamental design for a machine for grating, slicing and/or grinding foodstuffs, as shown.

DESCRIPTION

FIG. 1 is a front perspective view of the top and one side of a machine for grating, slicing and/or grinding foodstuffs showing my new design; FIG. 2 is an elevational view of the side opposite that shown in FIG. 1; FIG. 3 is a rear elevational view thereof; and FIG. 4 is a top plan view thereof.



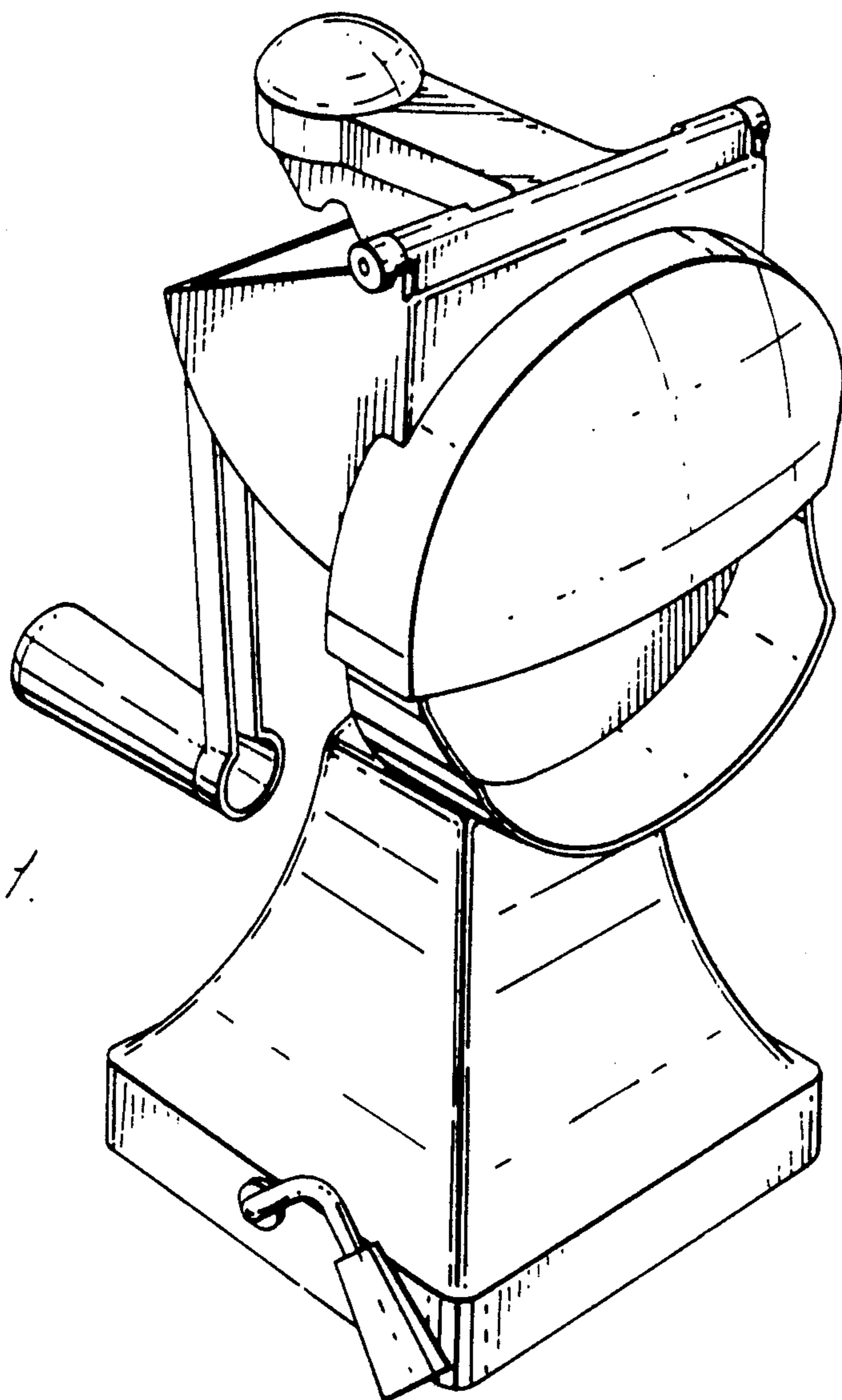


FIG. 1.

FIG. 2.

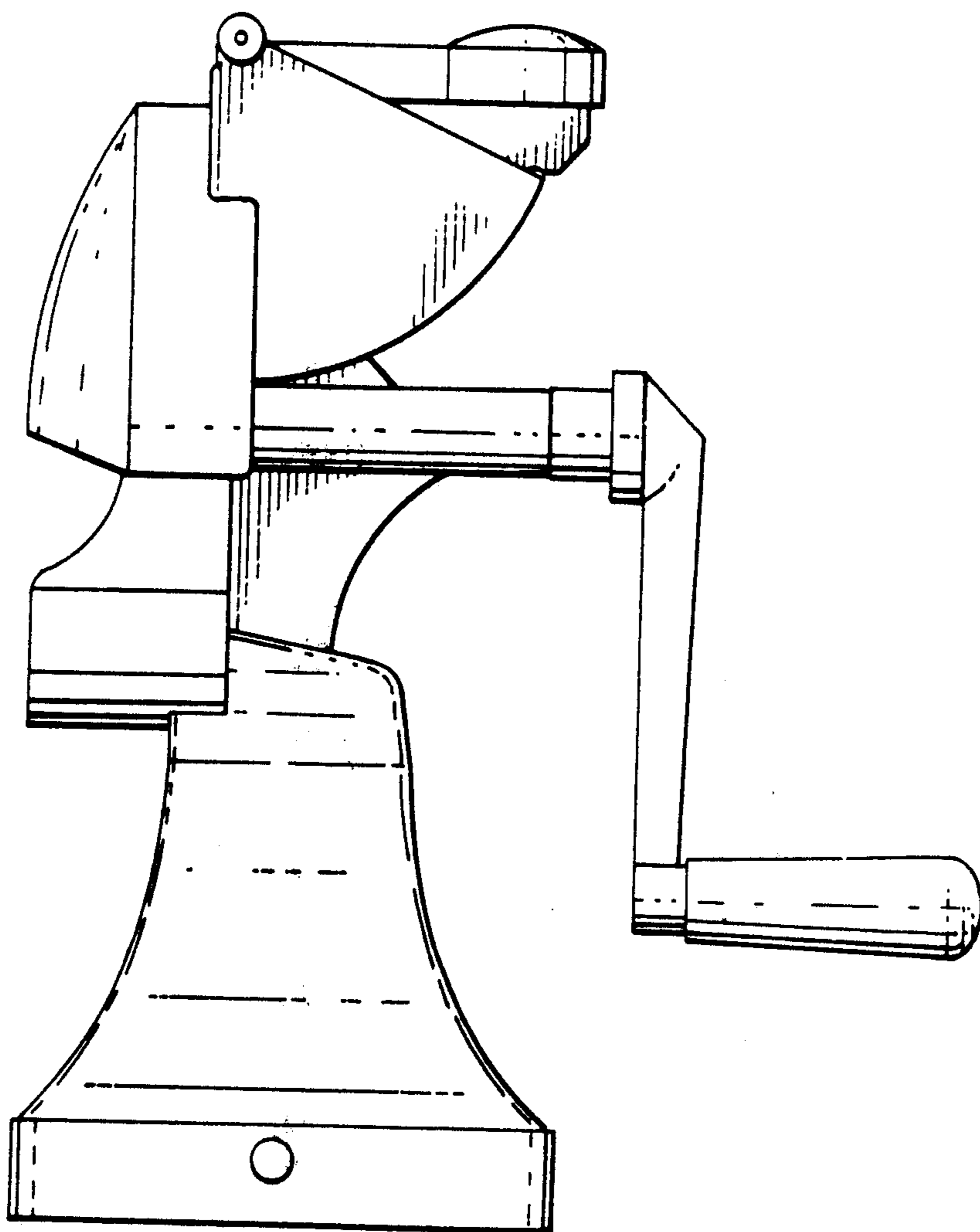


FIG. 3

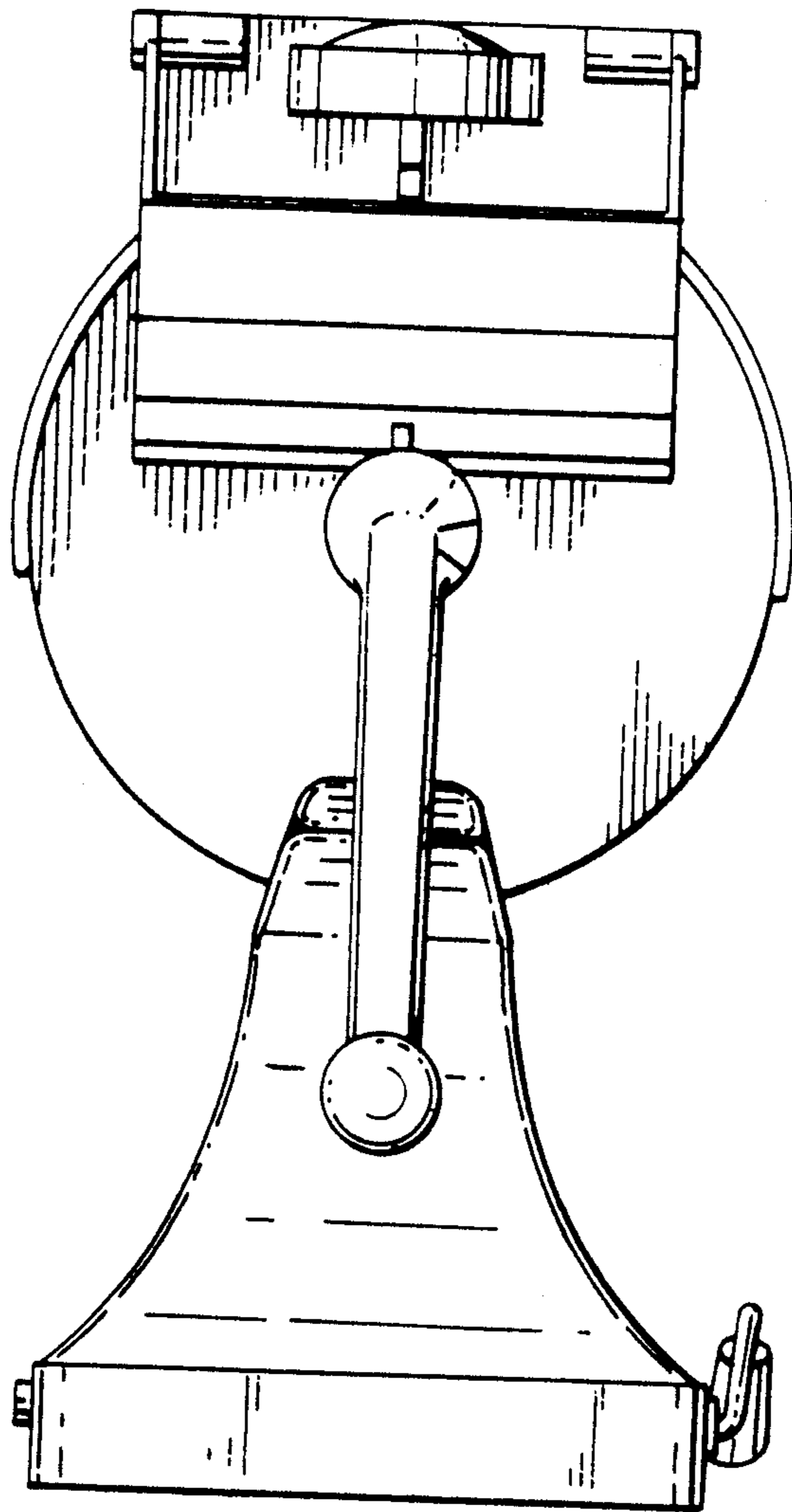


FIG. 4.

