

[54] **FILM STORAGE BOX**

4,176,744 12/1979 Borzak 206/310

[75] Inventor: **Susan M. Turner**, Oceanport, N.J.

Primary Examiner—George P. Word

[73] Assignee: **Universal City Studios, Inc.**,
Universal City, Calif.

Attorney, Agent, or Firm—Fulwider, Patton, Rieber,
Lee & Utecht

[**] Term: **14 Years**

[57] **CLAIM**

[21] Appl. No.: **48,873**

The ornamental design for a film storage box, substan-
tially as shown and described.

[22] Filed: **Jun. 15, 1979**

DESCRIPTION

[51] Int. Cl. **D3—02**

FIG. 1 is a perspective view of a film storage box show-
ing my new design with the cover portion partially
open;

[52] U.S. Cl. **D3/35**

[58] Field of Search **D3/33, 35; D19/26, 28;**
229/339; 206/387, 316, 309, 310, 403

FIG. 2 is a front elevational view in the open position;

FIG. 3 is a top plan view thereof;

FIG. 4 is a bottom plan view thereof;

FIG. 5 is a left end elevational view thereof;

FIG. 6 is a right end elevational view thereof;

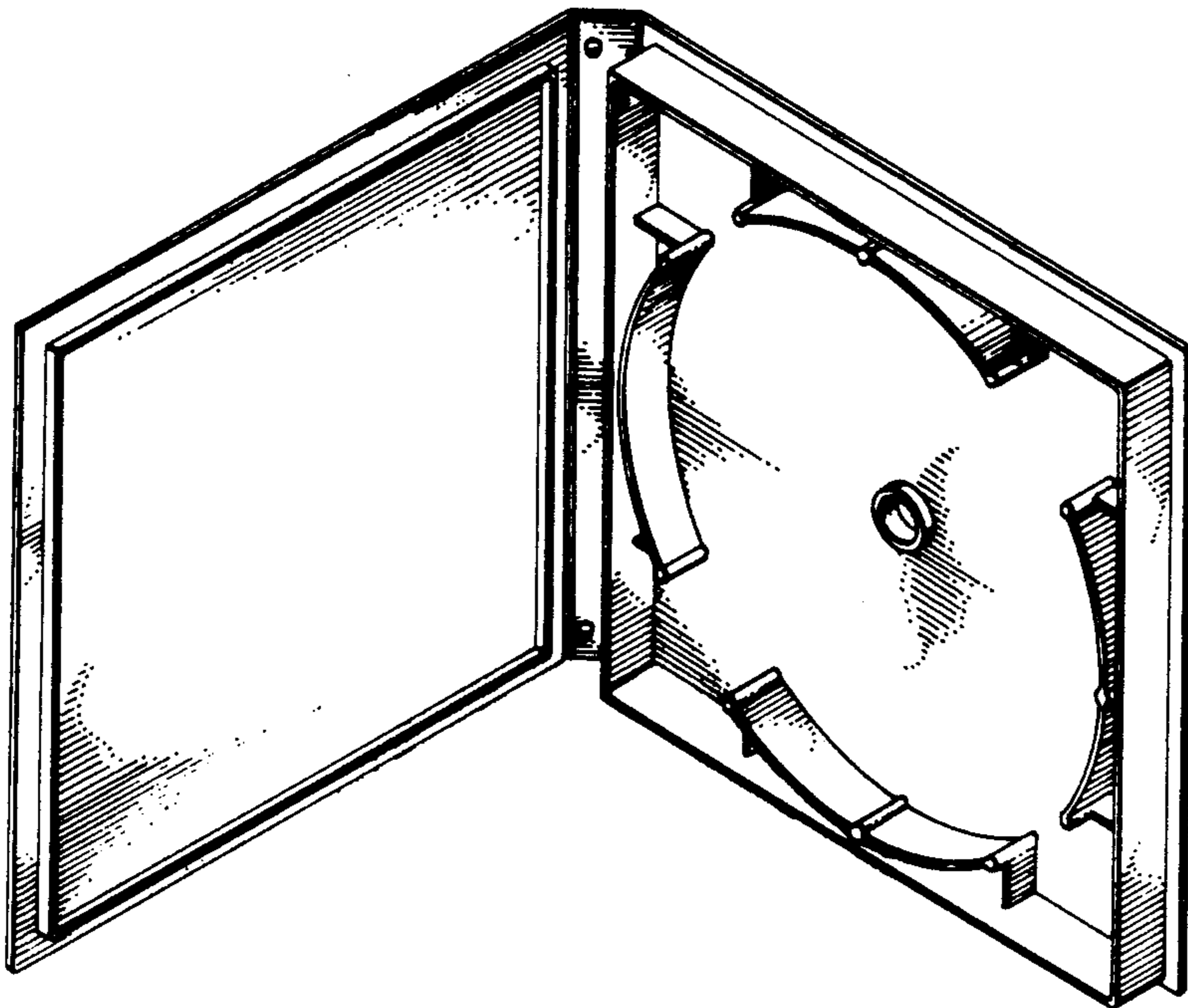
FIG. 7 is a rear elevational view thereof; and

FIG. 8 is a perspective view of the film storage box in
its closed position.

[56] **References Cited**

U.S. PATENT DOCUMENTS

D. 218,922	10/1970	De Vore et al.	D3/35
2,663,416	12/1953	Hirsch	206/310
3,902,598	9/1975	Koob et al.	206/387
4,084,690	4/1978	Pulse	206/310



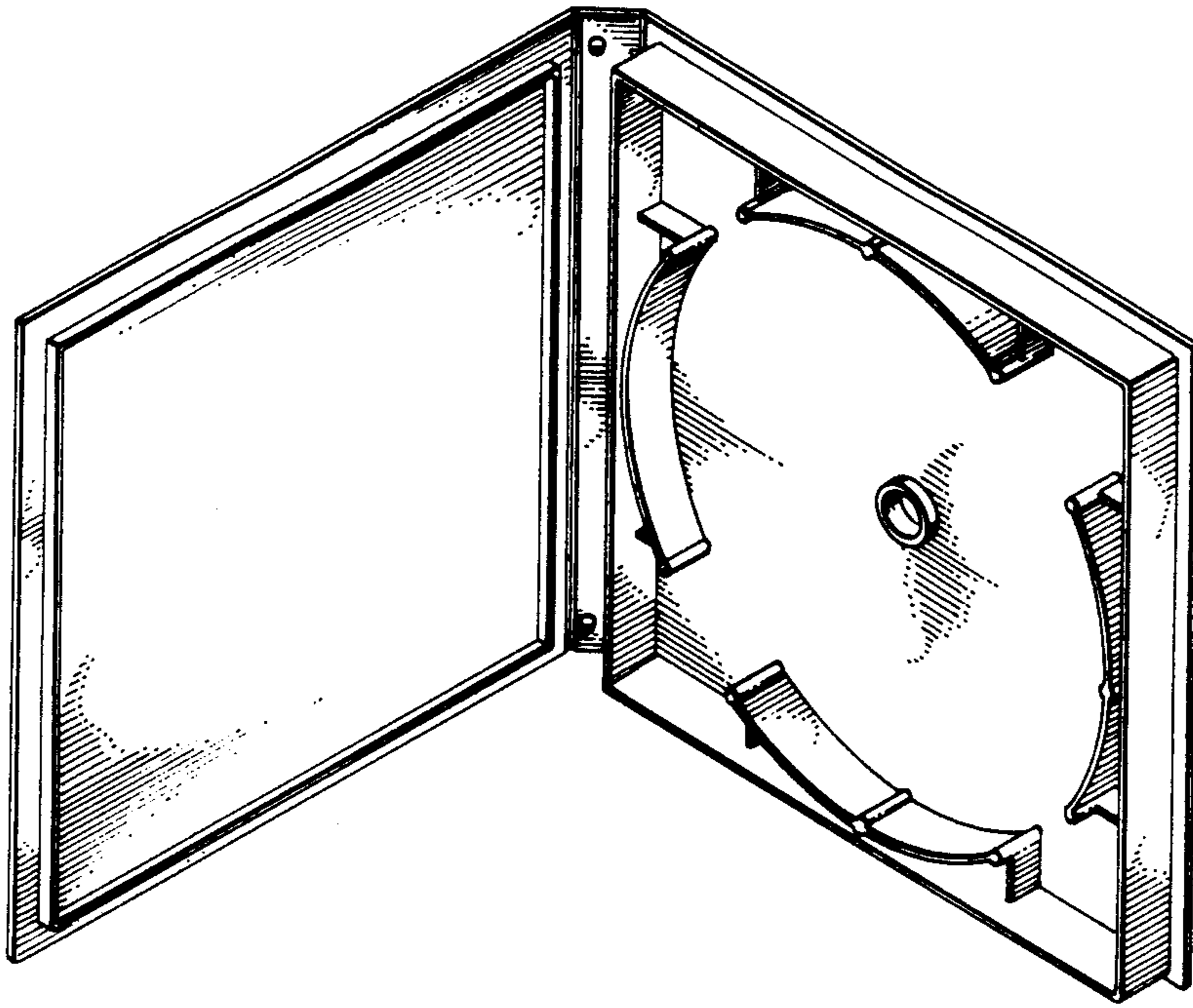


FIG. 1

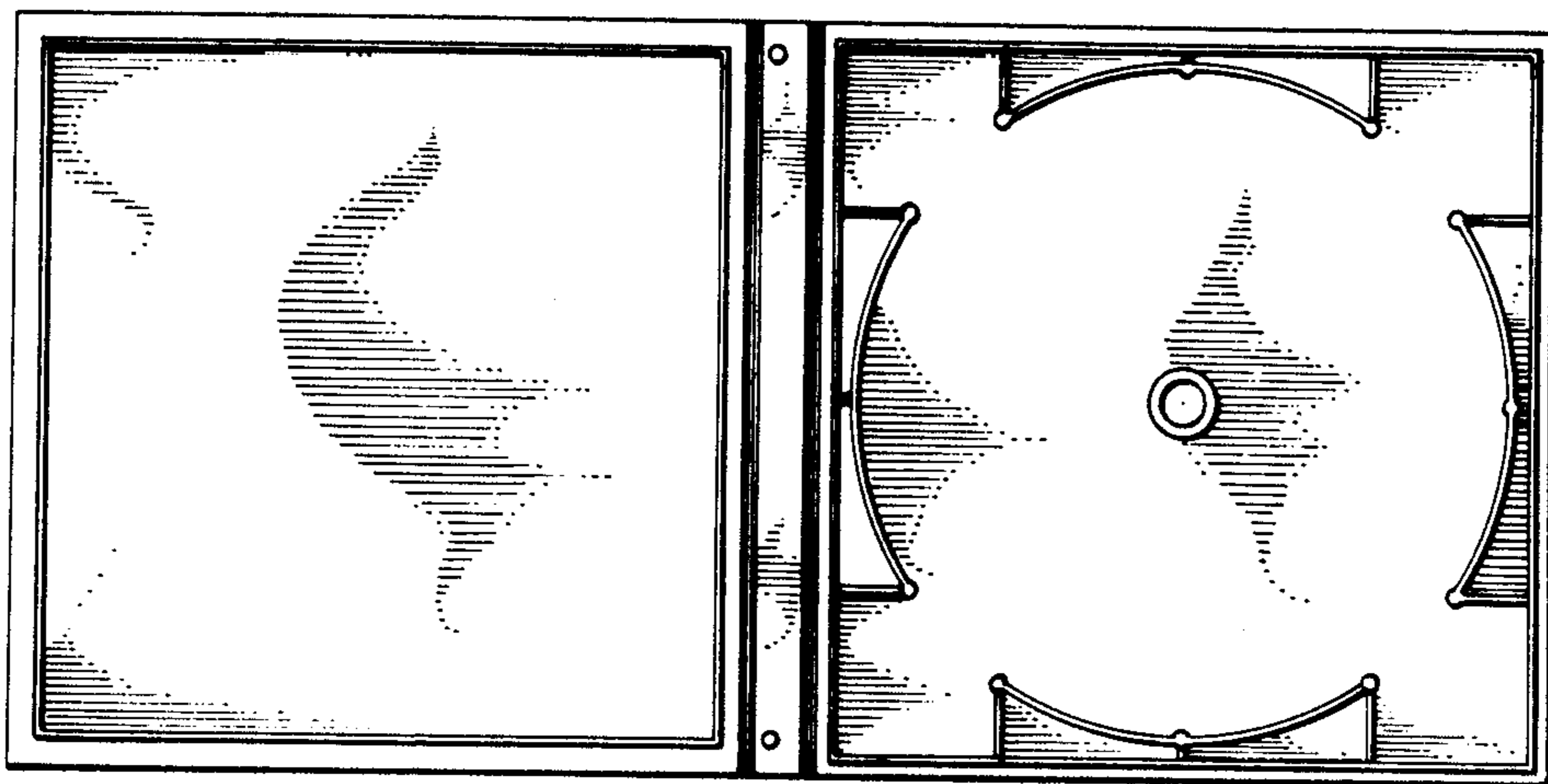


FIG. 2



FIG. 3



FIG. 4



FIG. 5



FIG. 6

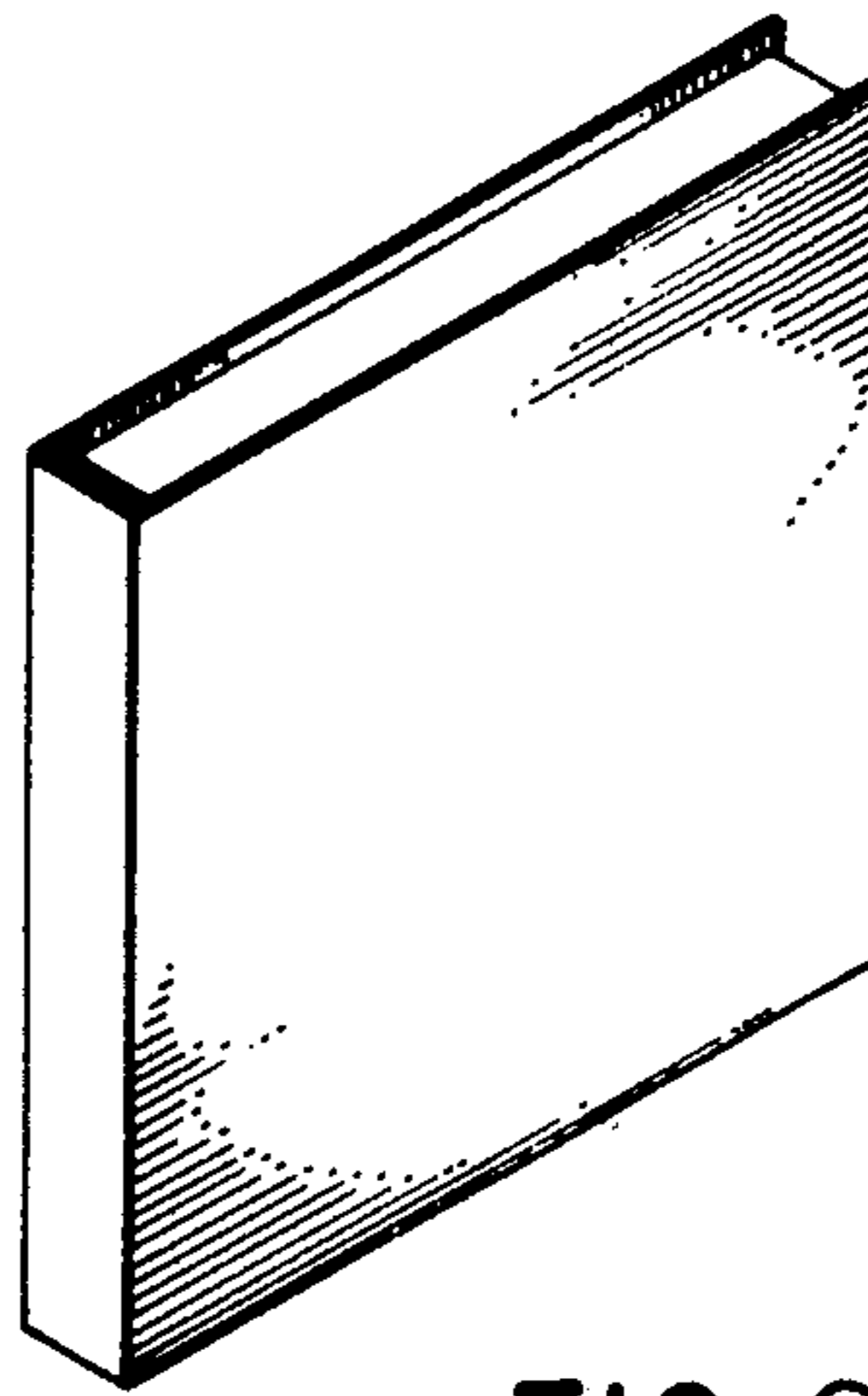


FIG. 8

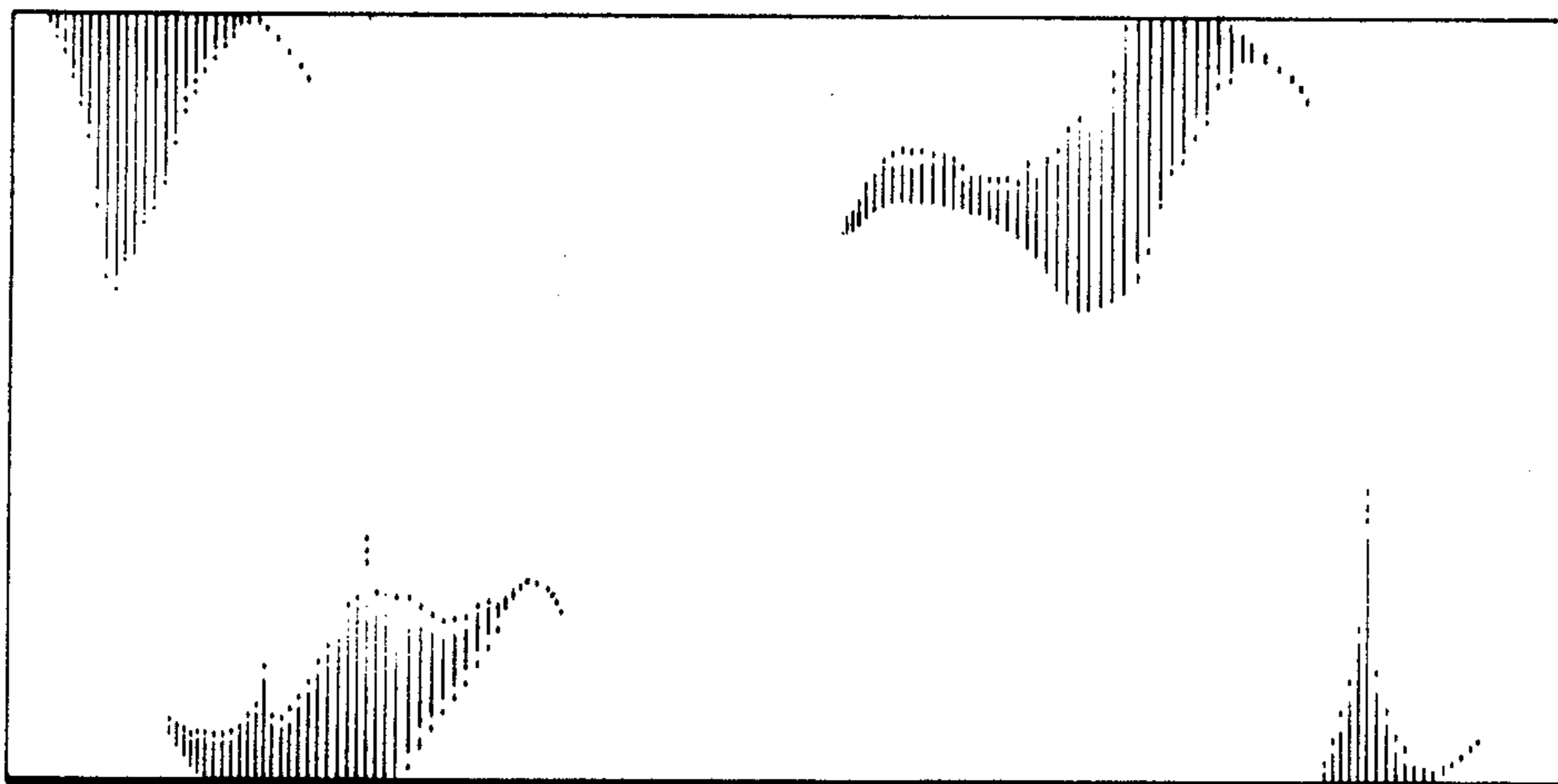


FIG. 7