

[54] PORTABLE OXYGEN EXTENDER STATION

[75] Inventor: Charles C. Hill, La Jolla, Calif.
 [73] Assignee: Marx Medical, Inc., La Jolla, Calif.
 [**] Term: 14 Years
 [21] Appl. No.: 10,896
 [22] Filed: Feb. 9, 1979
 [51] Int. Cl. D24—01; D24—02
 [52] U.S. Cl. D24/8
 [58] Field of Search 128/200.14, 200.18,
 128/200.19, 200.21; 248/125, 128; D24/8, 16,
 62

[56] **References Cited**
U.S. PATENT DOCUMENTS

D. 233,484	10/1974	Austin, Jr.	D24/8
3,191,596	6/1965	Bird et al.	128/204.19
3,814,092	6/1974	Simionescu et al.	128/204.14
4,164,219	8/1979	Bird	128/204.19

OTHER PUBLICATIONS

V. Mueller & Co., Cat. No. 65, ©1963, p. 754, Puritan Oxygen Regulator, Item No., AS-16100.

Primary Examiner—Bernard Ansher
Attorney, Agent, or Firm—Barnes, Kisselle, Raisch & Choate

[57] CLAIM

The ornamental design for a portable oxygen extender station, as shown and described.

DESCRIPTION

FIG. 1 is a perspective view of the oxygen extender station embodying my new design;
 FIG. 2 is a top plan view of the same;
 FIG. 3 is a rear elevational view of the same;
 FIG. 4 is an elevational view from the left as viewed in FIG. 3; and
 FIG. 5 is a front elevational view of the same.
 The broken lines are shown for illustrative purposes only.

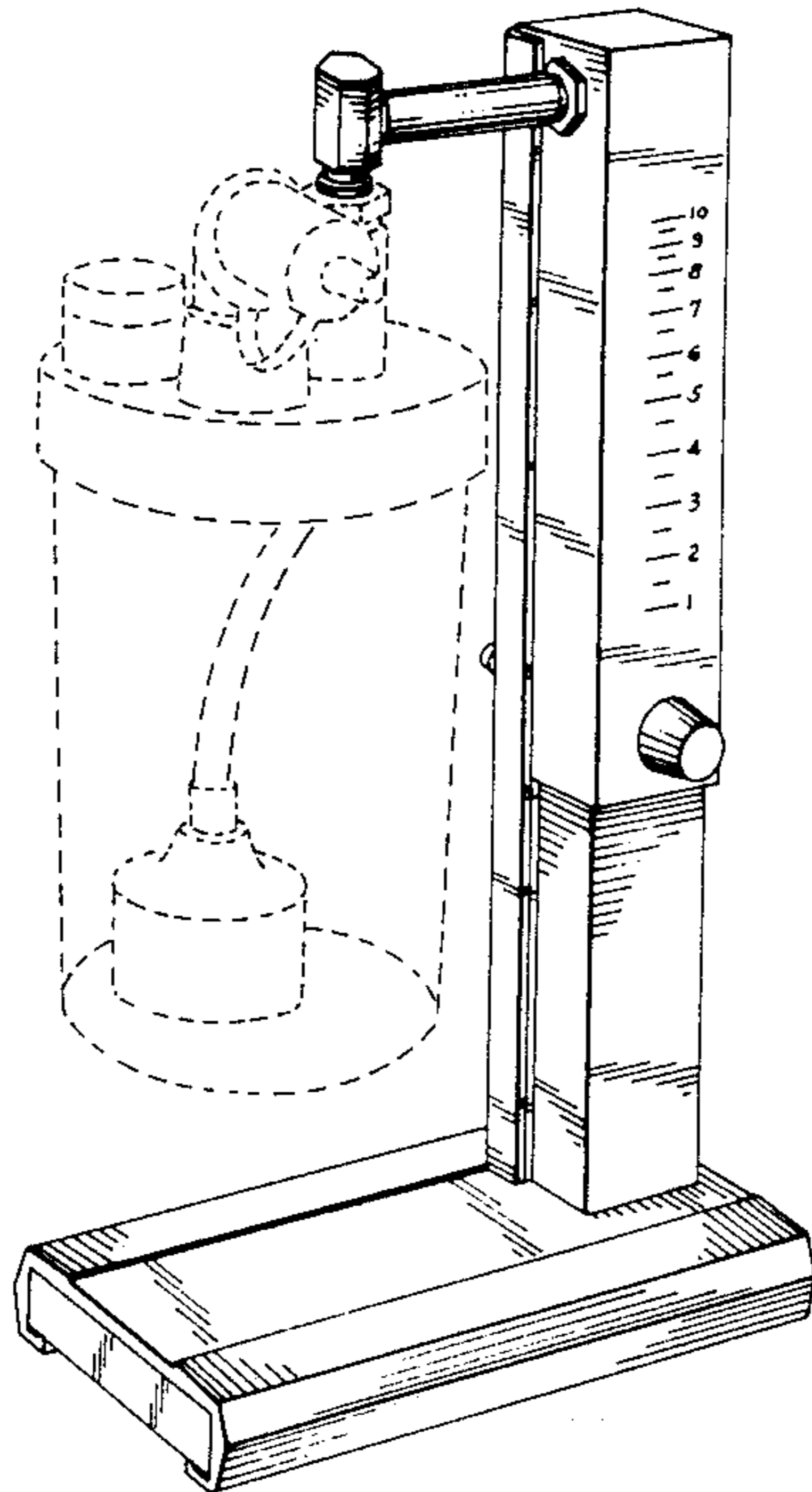


FIG. 2

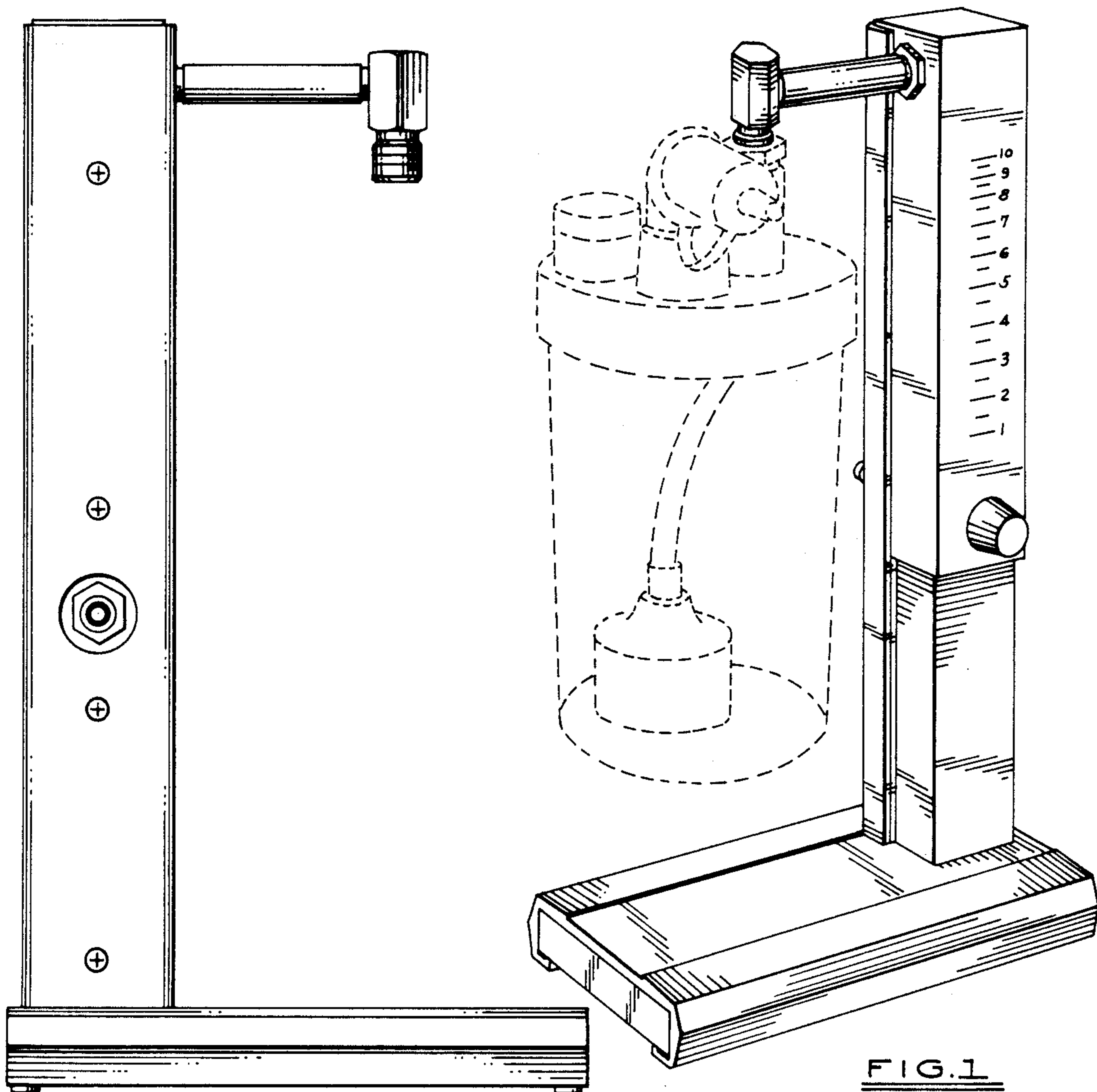
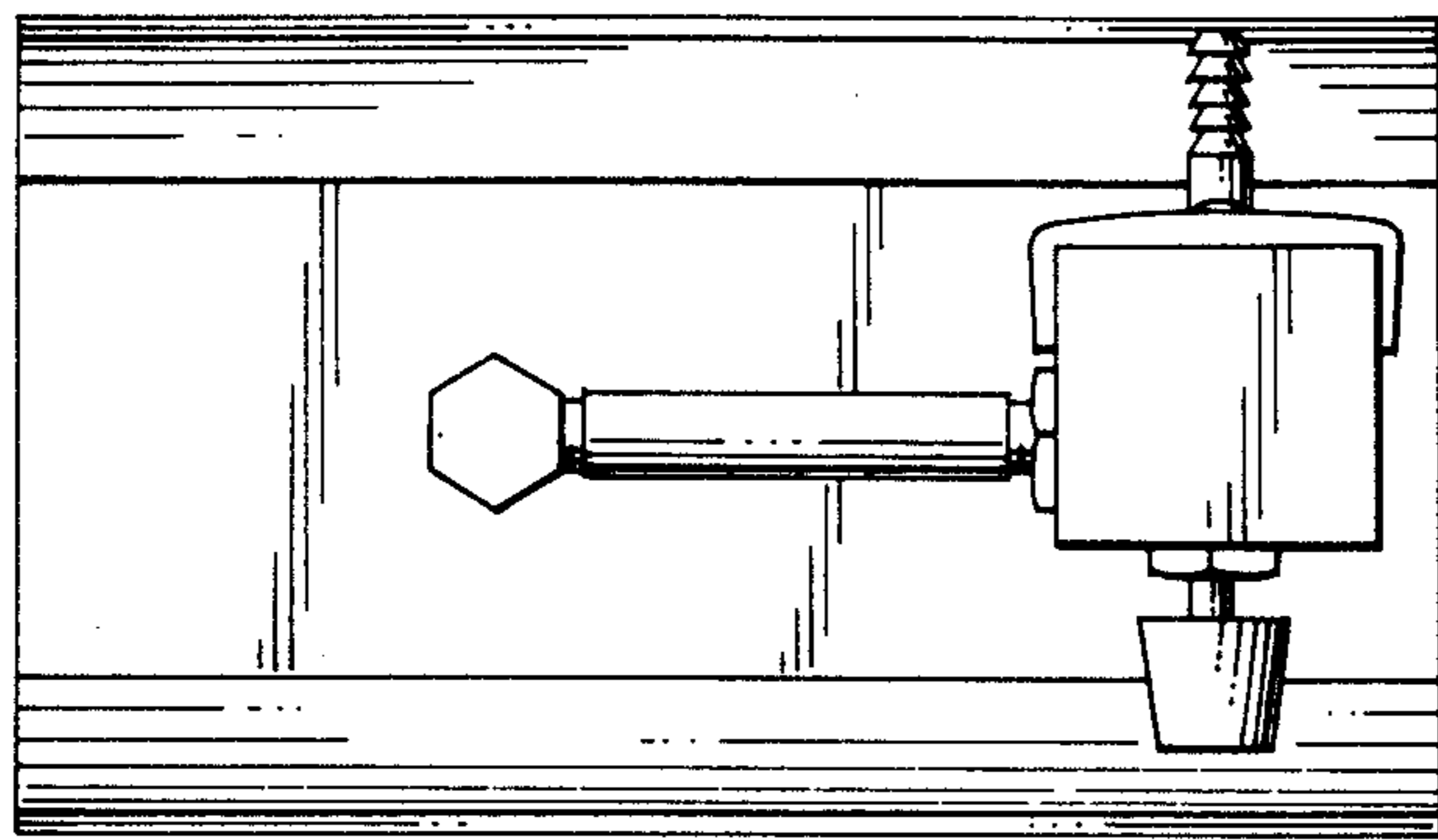


FIG. 1

FIG. 3

FIG.4

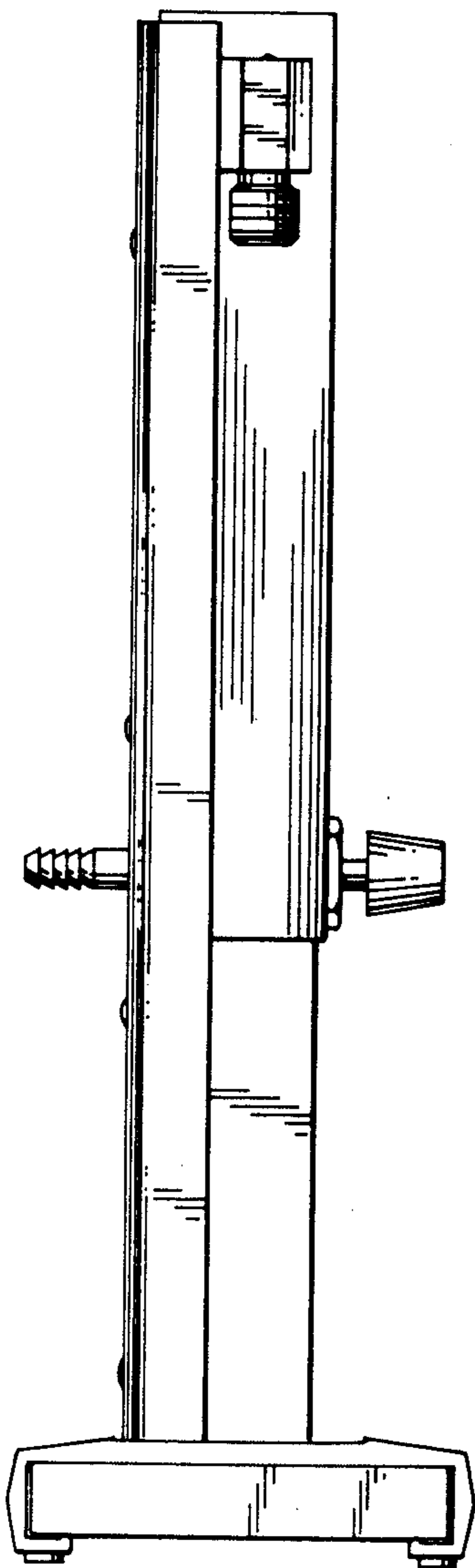


FIG.5

