

[54] **LAWN FERTILIZER FEEDER** 2,737,414 3/1956 Wanzel 239/317
 2,989,979 6/1961 Karlson 137/268
 [75] Inventors: **Kenneth M. Hattori, Bensenville;** 3,421,738 1/1969 Dulger 239/317
Sigmar E. Sobczak, Waukegan, both 3,618,539 11/1971 Daniels 137/268 X
of Ill. 3,901,262 8/1975 Culkowski 137/268 X
 4,068,681 1/1978 McNair et al. 137/588
 [73] Assignee: **Acme Burgess, Inc., Grayslake, Ill.** 4,199,001 4/1980 Kratz 137/268
 4,208,376 6/1980 Sangester et al. 137/268
 [**] Term: **14 Years**

[21] Appl. No.: **100,968**

[22] Filed: **Dec. 7, 1979**

[51] Int. Cl. **D23—01**

[52] U.S. Cl. **D23/3**

[58] Field of Search **D23/3, 6-12;**
 137/268; 239/310, 315, 317

[56] **References Cited**

U.S. PATENT DOCUMENTS

D. 203,207 12/1965 Kersh D23/3
 D. 203,686 2/1966 Cefalde D23/3
 D. 236,616 9/1975 Stucky D23/3

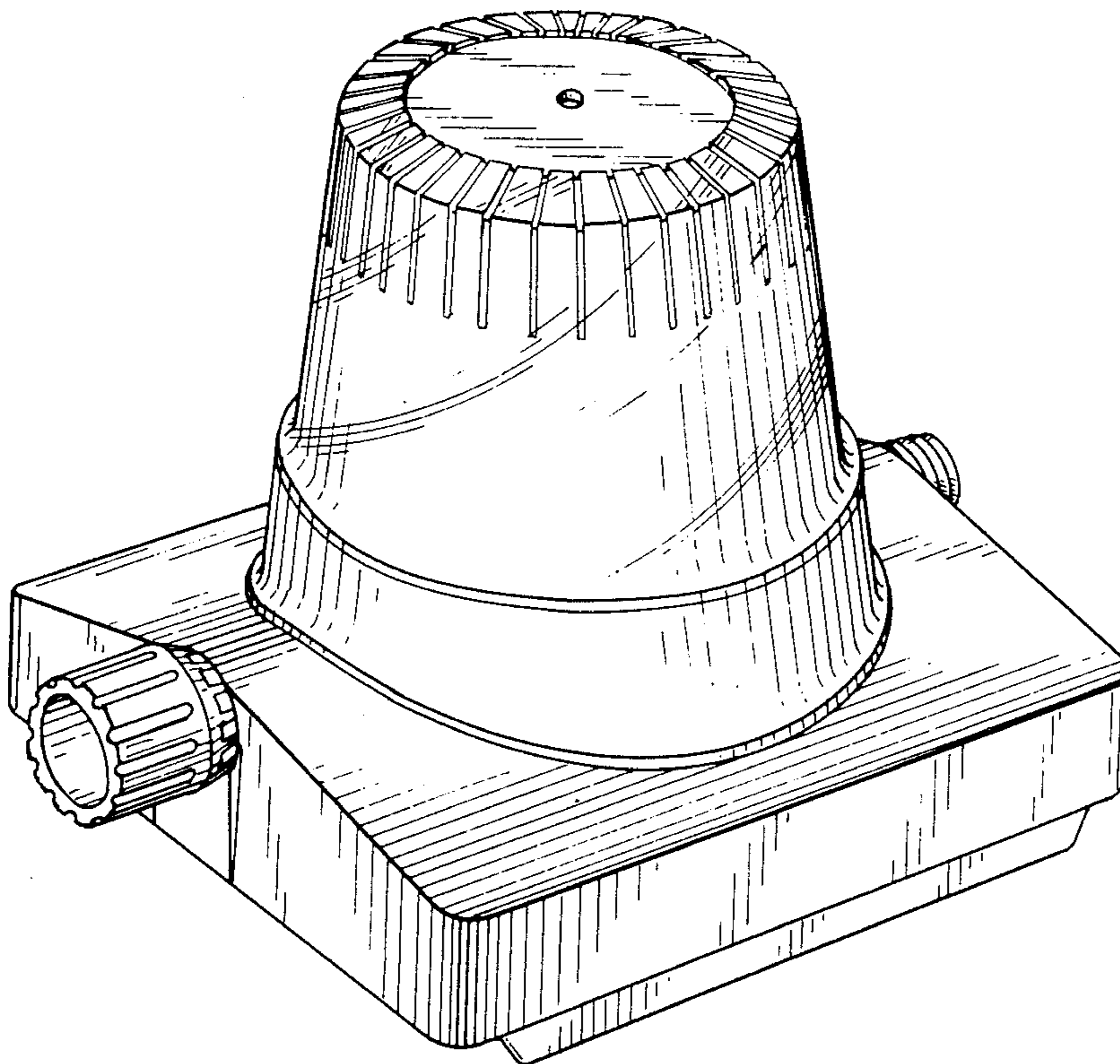
Primary Examiner—James R. Largen
Attorney, Agent, or Firm—Darbo & Vandenburg

[57] **CLAIM**

The ornamental design for a lawn fertilizer feeder, as shown.

DESCRIPTION

FIG. 1 is a perspective view of a lawn fertilizer feeder showing our new design;
 FIG. 2 is a top plan view thereof;
 FIG. 3 is a side elevational view thereof, the opposite side being a mirror image of the side shown;
 FIG. 4 is a front elevational view thereof; and
 FIG. 5 is a rear elevational view thereof.



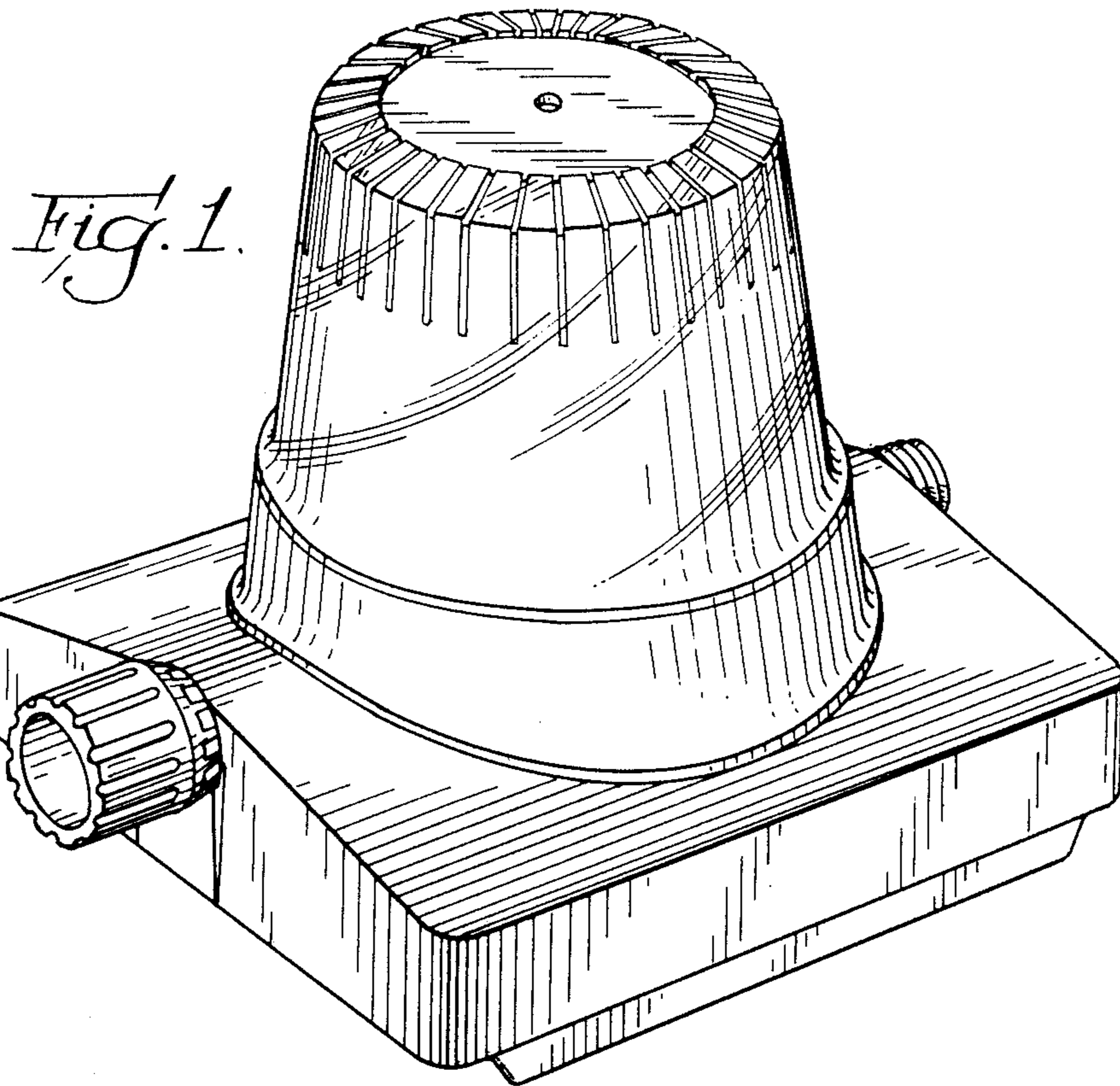


Fig. 2.

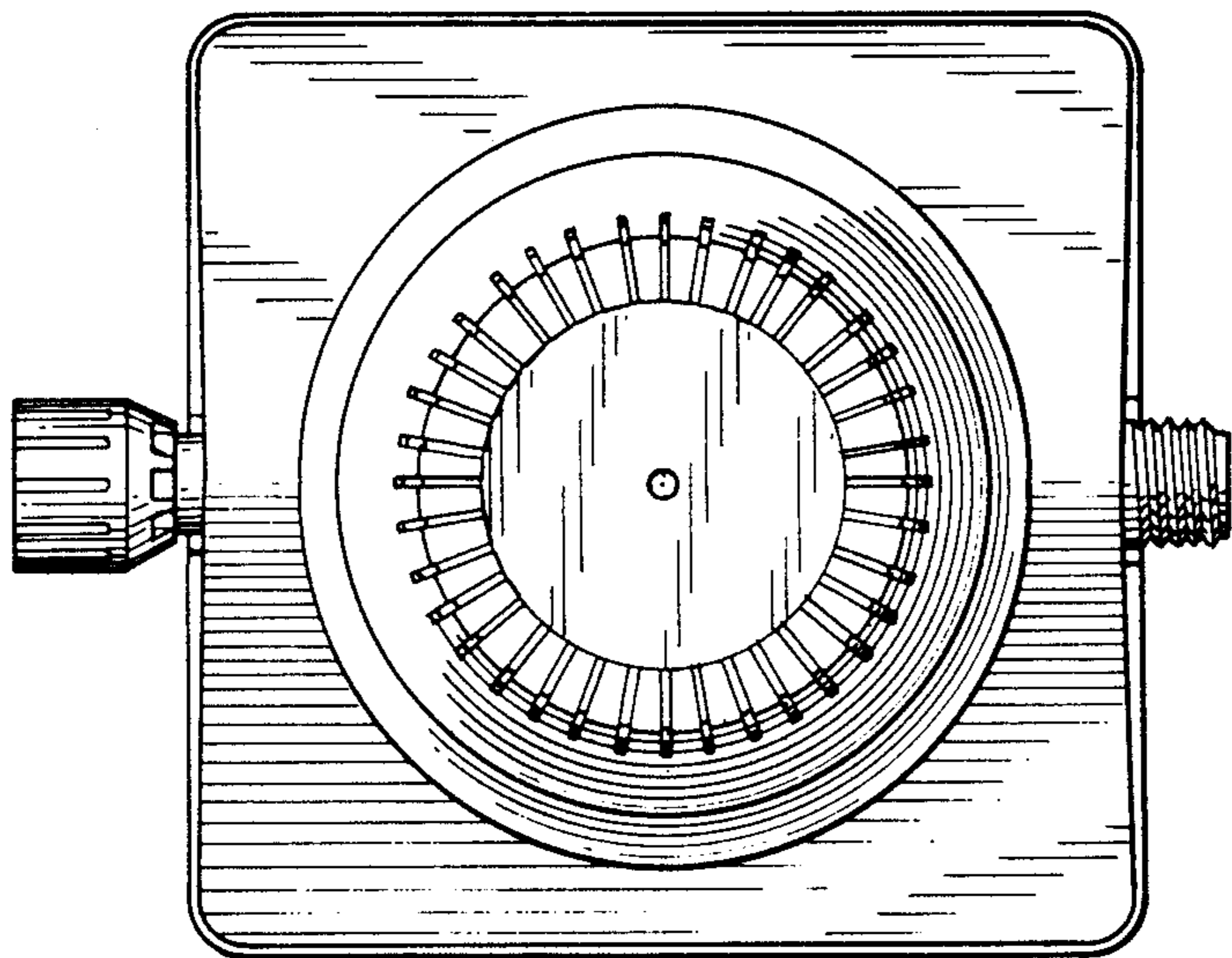


Fig. 3.

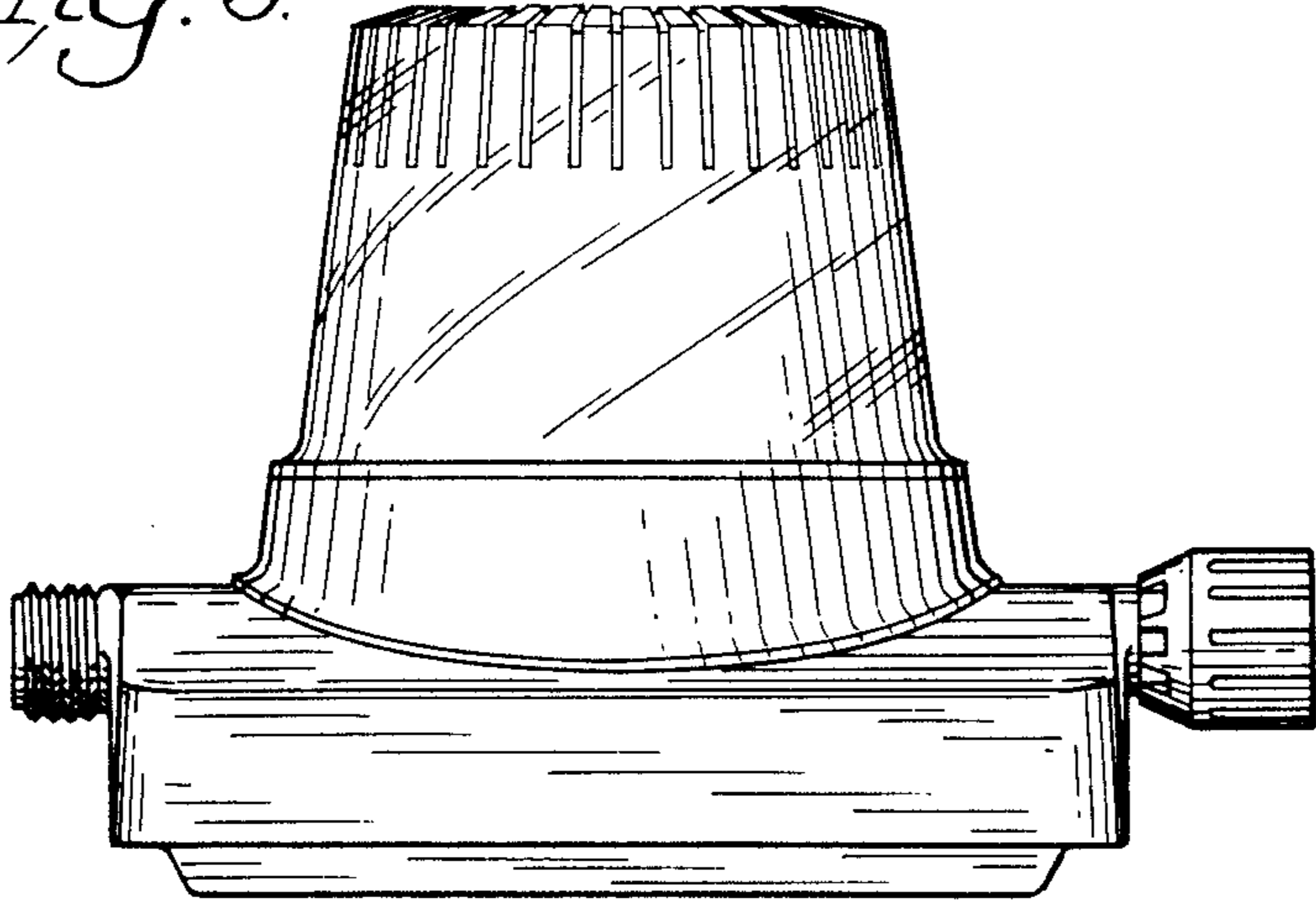


Fig. 4.

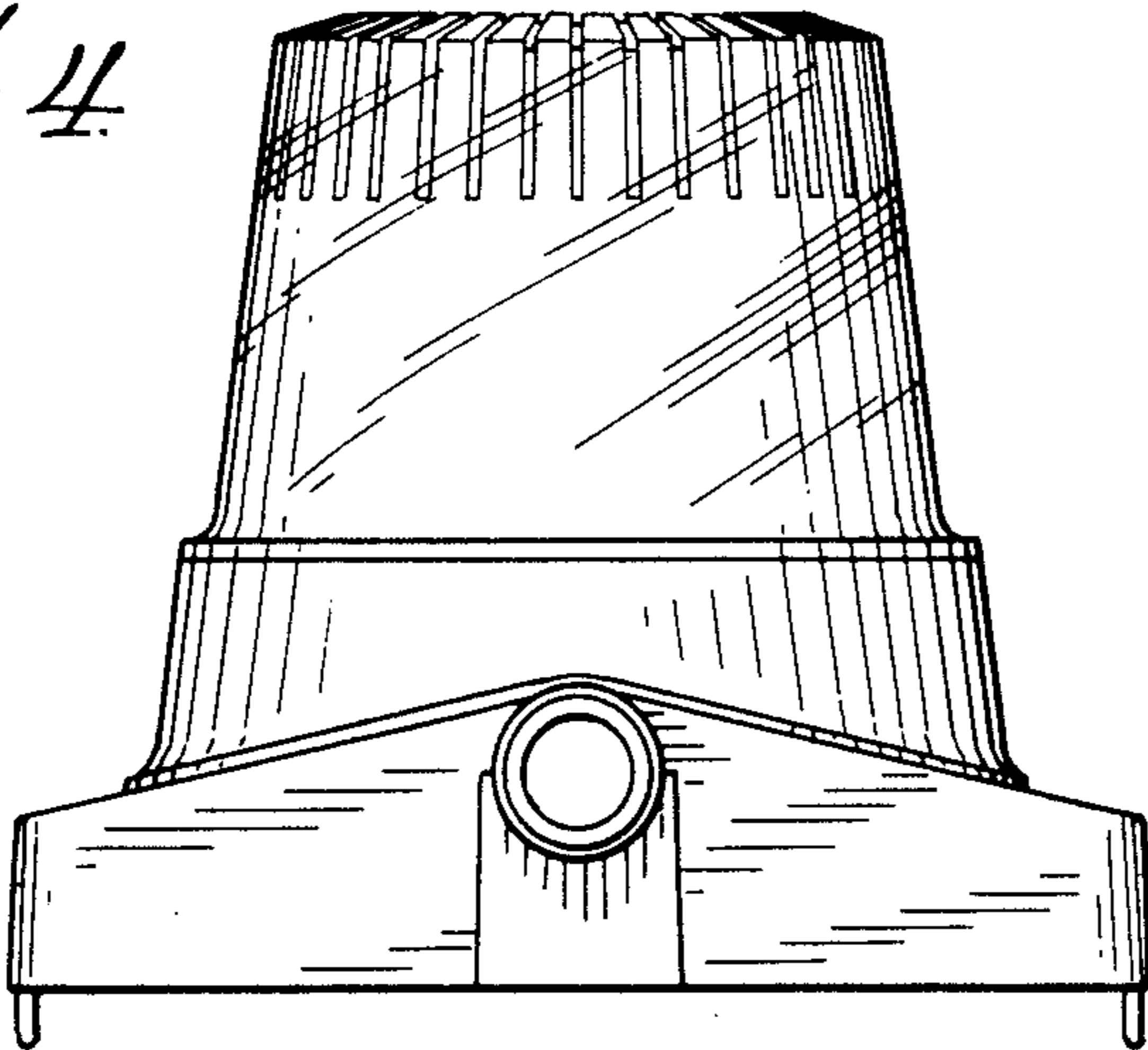


Fig. 5.

