

[54] FISHING ROD HOLDER  
[76] Inventor: Alfred E. Cecchetti, 1623 Leishman Ave., Arnold, Pa. 15068

1,537,237 5/1925 Kaestner ..... D22/13 X  
2,751,174 6/1956 Parker ..... D22/13 X  
3,341,157 9/1967 Dungan ..... D22/13 X

[\*\*] Term: 14 Years

Primary Examiner—A. Hugo Word  
Attorney, Agent, or Firm—Brady, O'Boyle & Gates

[21] Appl. No.: 63,067

[57] CLAIM

[22] Filed: Aug. 2, 1979

The ornamental design for a fishing rod holder, substantially as shown.

[51] Int. Cl. .... D22—05

[52] U.S. Cl. .... D22/13

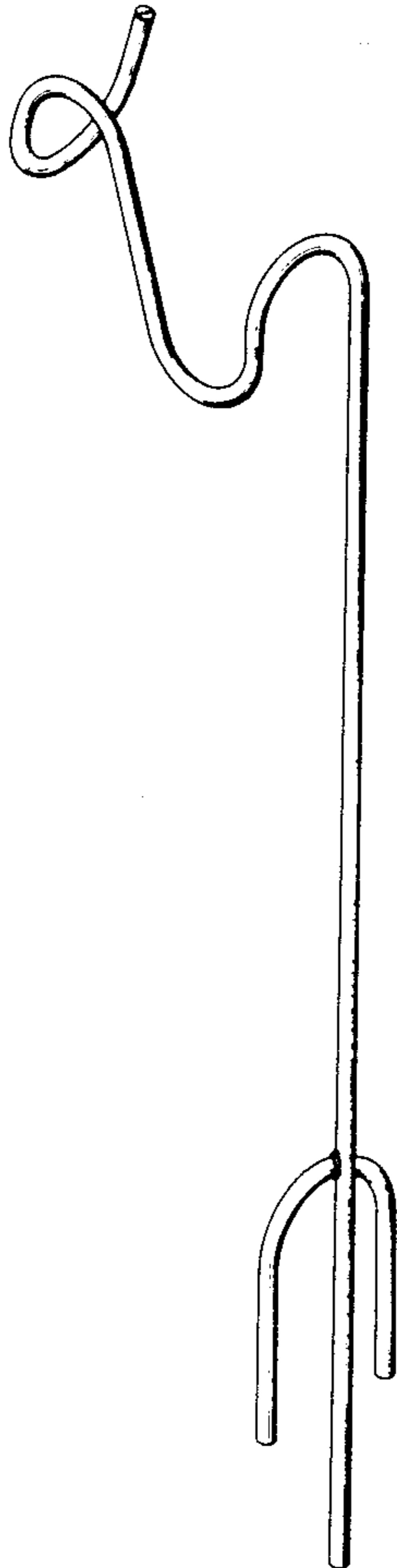
[58] Field of Search ..... D22/13, 22; 248/518, 248/513, 548, 547, 545, 156; 43/21.2

[56] References Cited

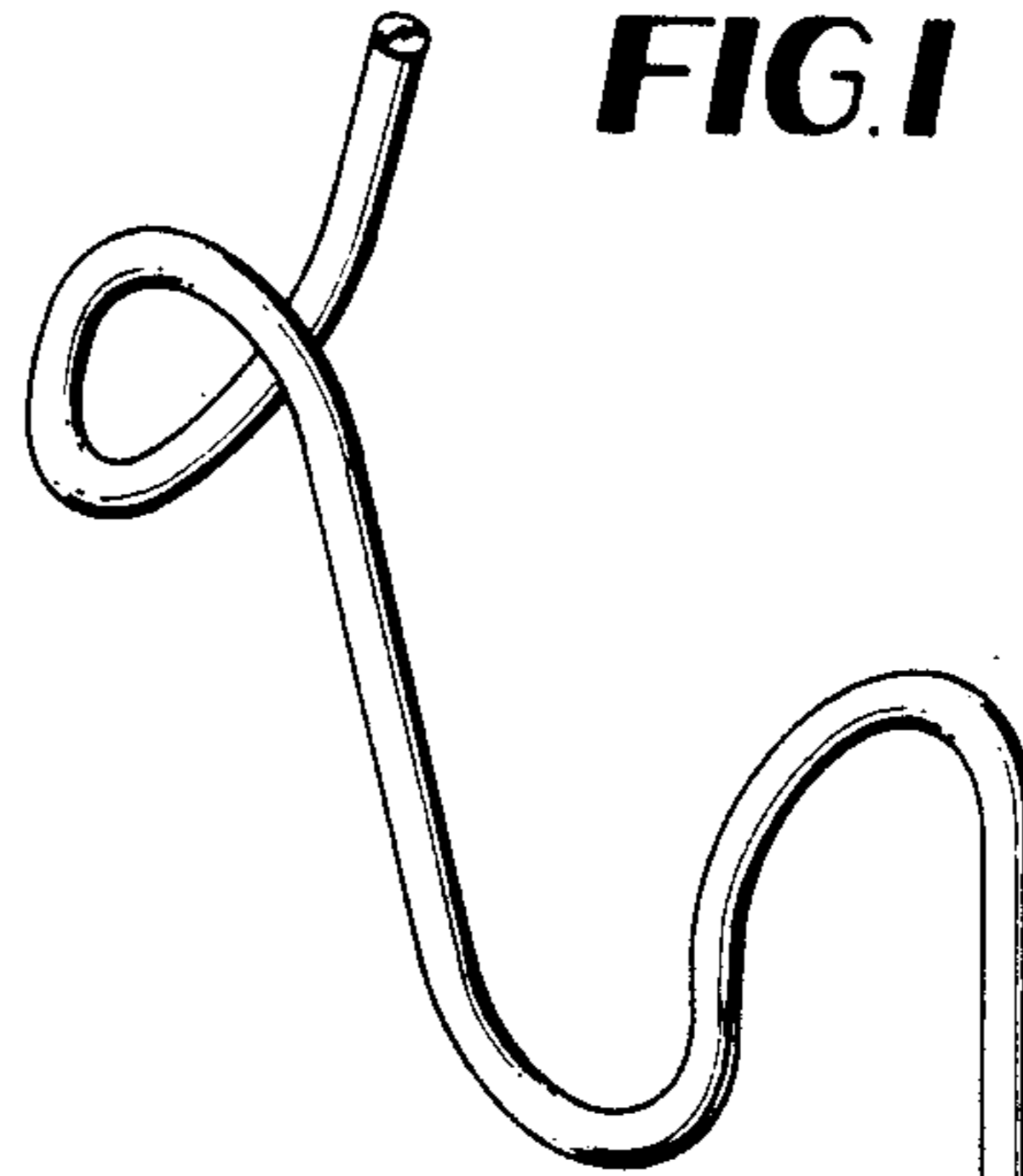
U.S. PATENT DOCUMENTS  
D. 187,276 2/1960 Poglein ..... D22/13

DESCRIPTION

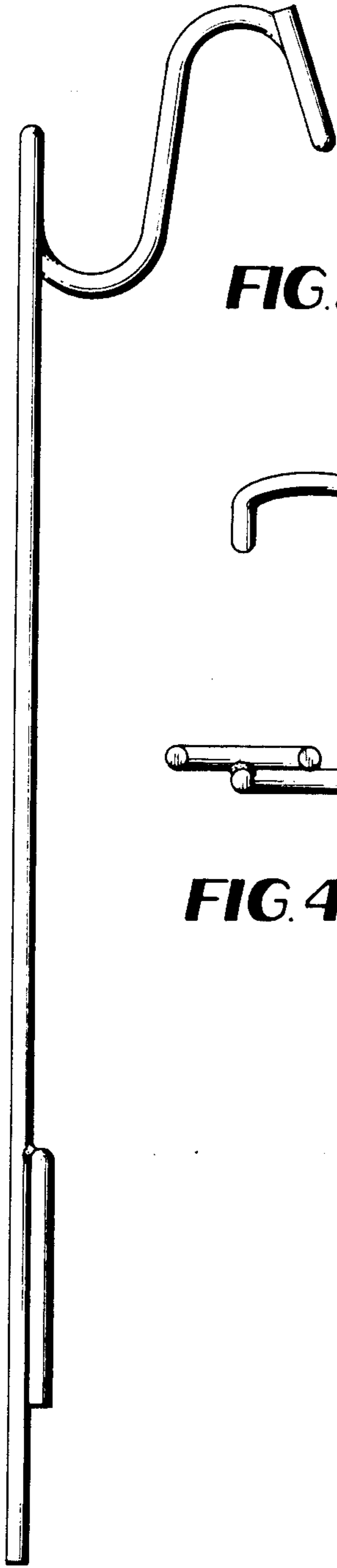
FIG. 1 is a perspective view showing the rear and one side of a fishing rod holder showing my new design; FIG. 2 is a side elevation view showing the opposite side thereof; FIG. 3 is a front elevation view thereof; FIG. 4 is a bottom plan view thereof; and FIG. 5 is a top plan view thereof.



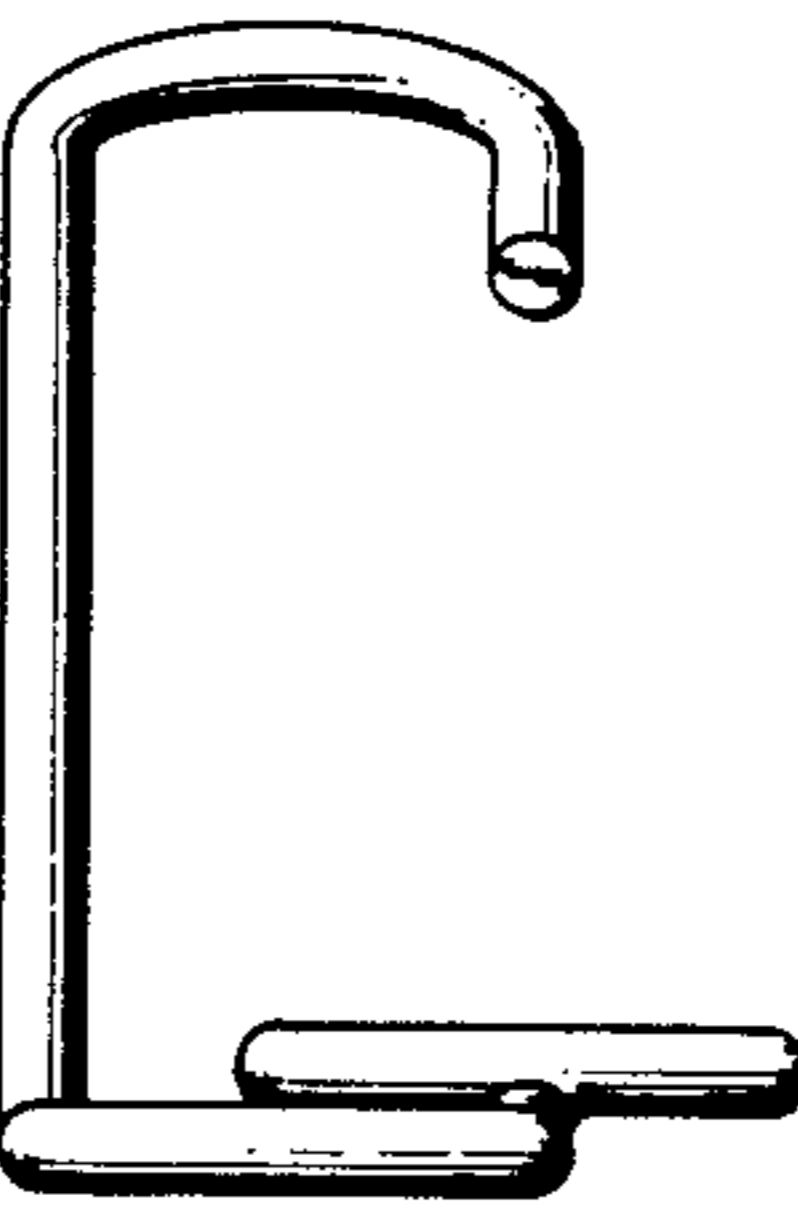
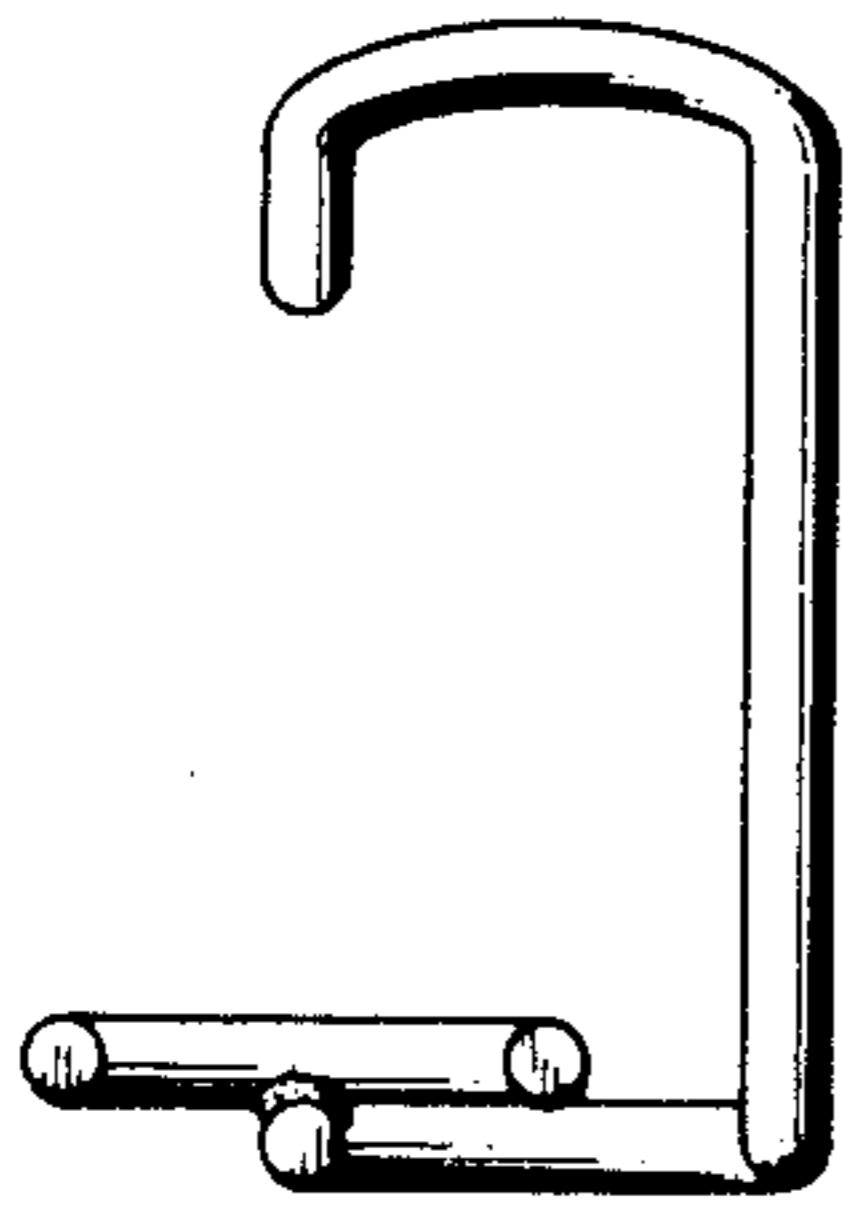
**FIG. 1**



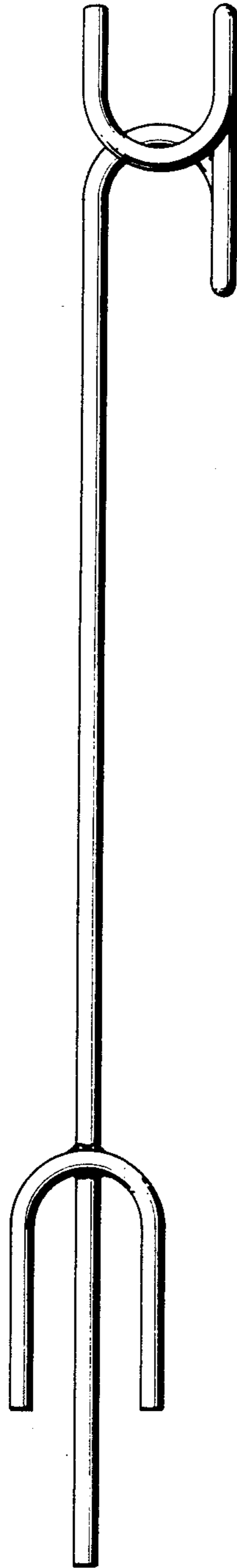
**FIG. 2**



**FIG. 4**



**FIG. 5**



**FIG. 3**

