

[54] TIME LAPSE VIDEO CASSETTE RECORDER

[56]

References Cited

U.S. PATENT DOCUMENTS

[75] Inventors: **W. Craig Bullock; Francis J. Reid,**  
both of San Dimas; **Oliver T. Tetirick; Robert R. Tripp,** both of  
Orange, all of Calif.

D. 250,471	12/1978	Nishigagki .....	D14/2
D. 251,294	3/1979	Horikoshi et al. ....	D14/2
D. 251,424	3/1979	Nagata .....	D14/1 X
3,493,676	2/1970	Guerin .....	360/33

OTHER PUBLICATIONS

Lafayette Radio Electronics, Cat. No. 740, ©1973, p. 185, Video Tape Recorder.

*Primary Examiner*—Bernard Ansher  
*Attorney, Agent, or Firm*—Philip M. Hinderstein

[73] Assignee: **Odetics, Inc.,** Anaheim, Calif.

[\*\*] Term: **14 Years**

[57] CLAIM

The ornamental design for a time lapse video cassette recorder, as shown.

[21] Appl. No.: 17,128

[22] Filed: **Mar. 5, 1979**

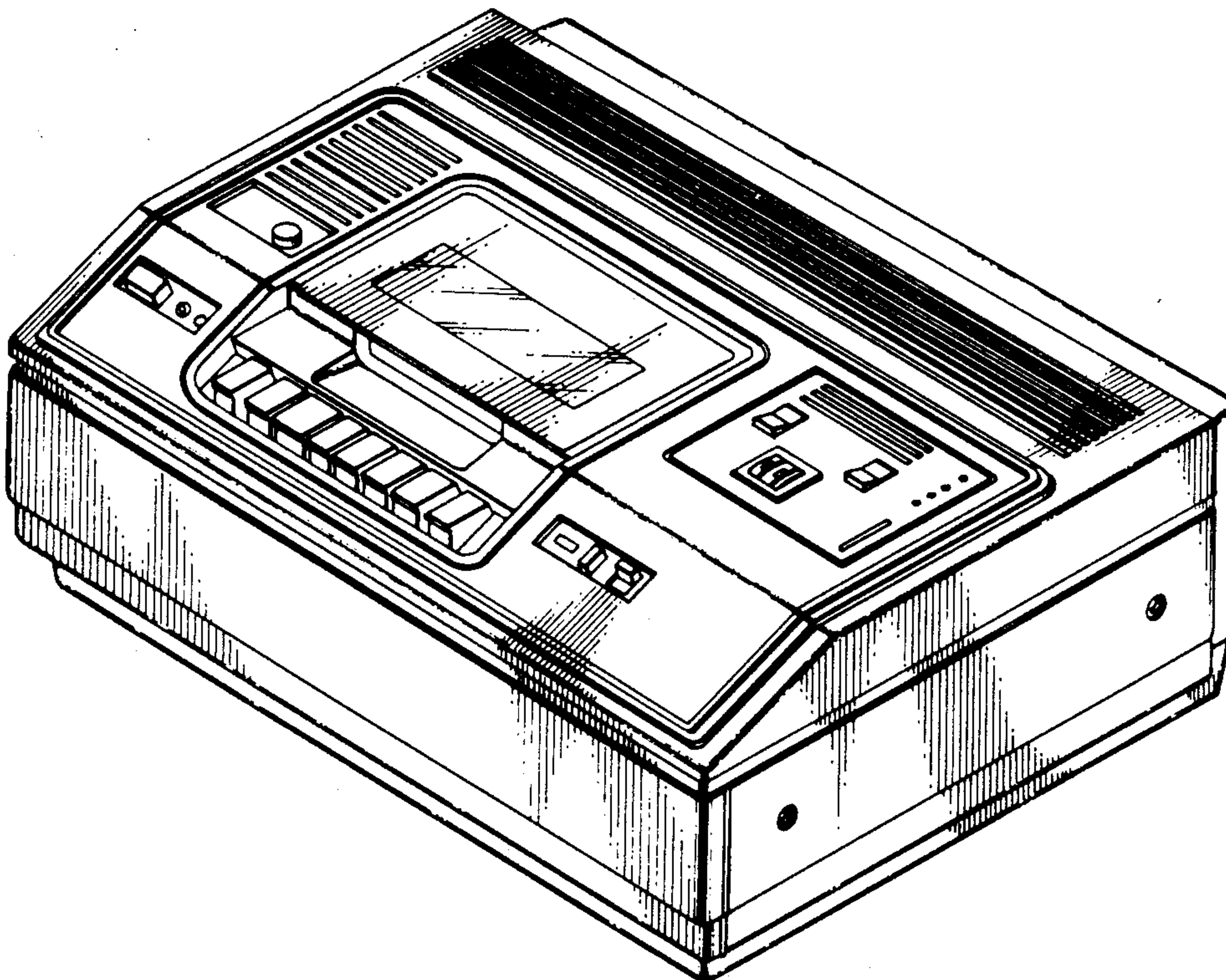
DESCRIPTION

FIG. 1 is a right side perspective view of a time lapse video cassette recorder showing our new design; FIG. 2 is a top plan view thereof; FIG. 3 is left side elevation view thereof; FIG. 4 is a rear elevation view thereof; and FIG. 5 is a bottom plan view thereof.

[51] Int. Cl. .... D14—01

[52] U.S. Cl. .... D14/2; D14/1;  
D14/6

[58] Field of Search ..... 360/33, 34, 35, 36,  
360/37, 38, 79; D14/1, 2, 6



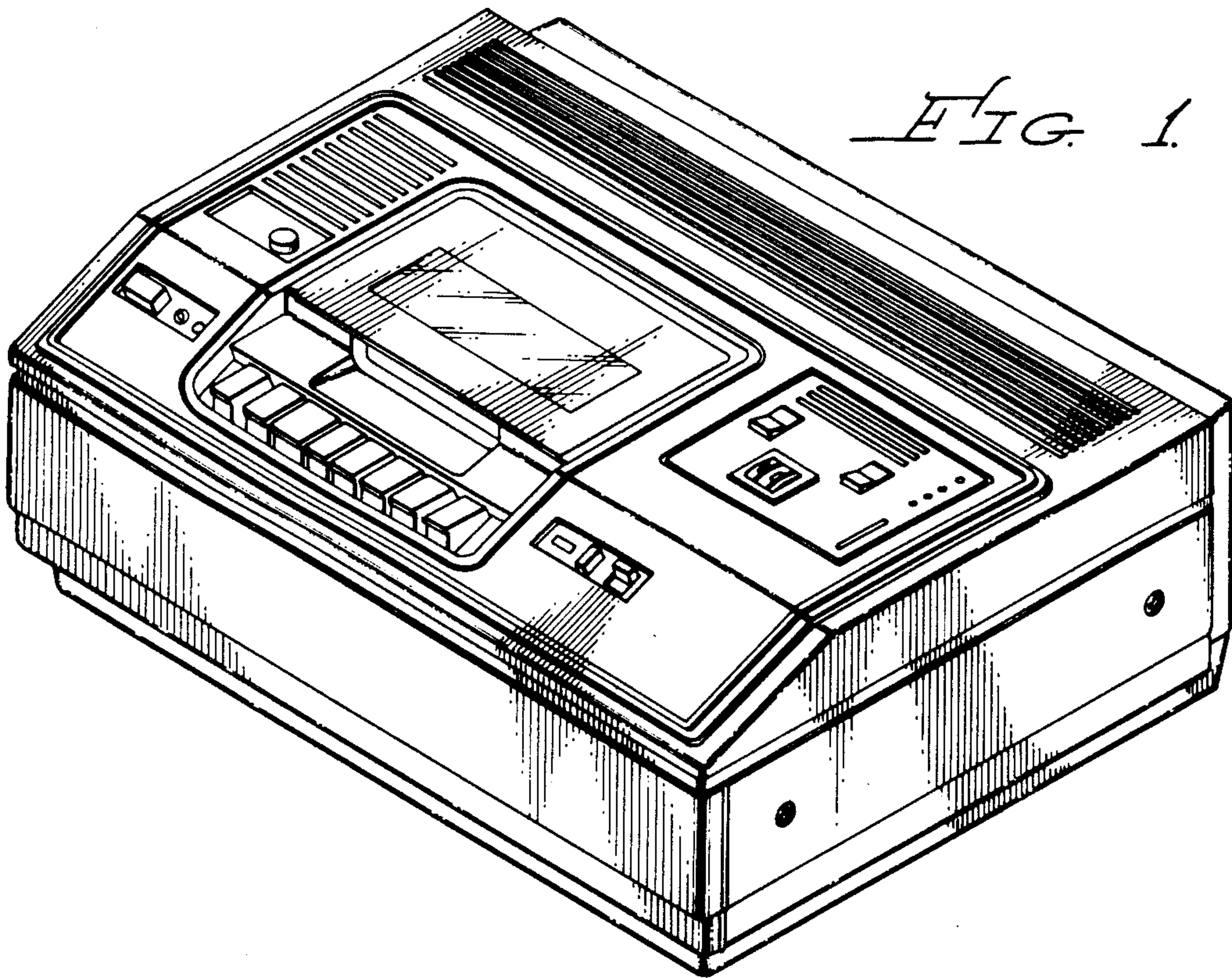
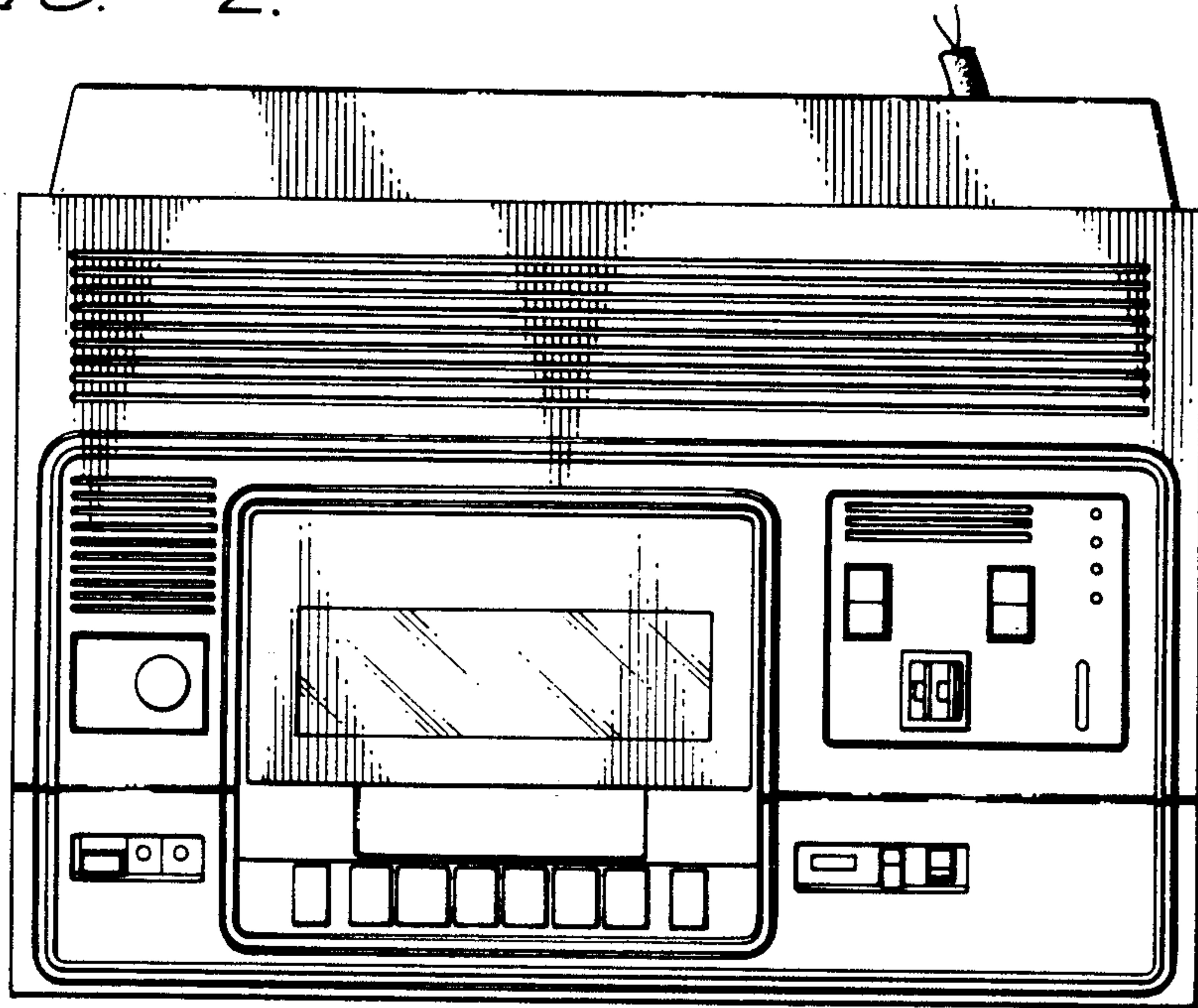
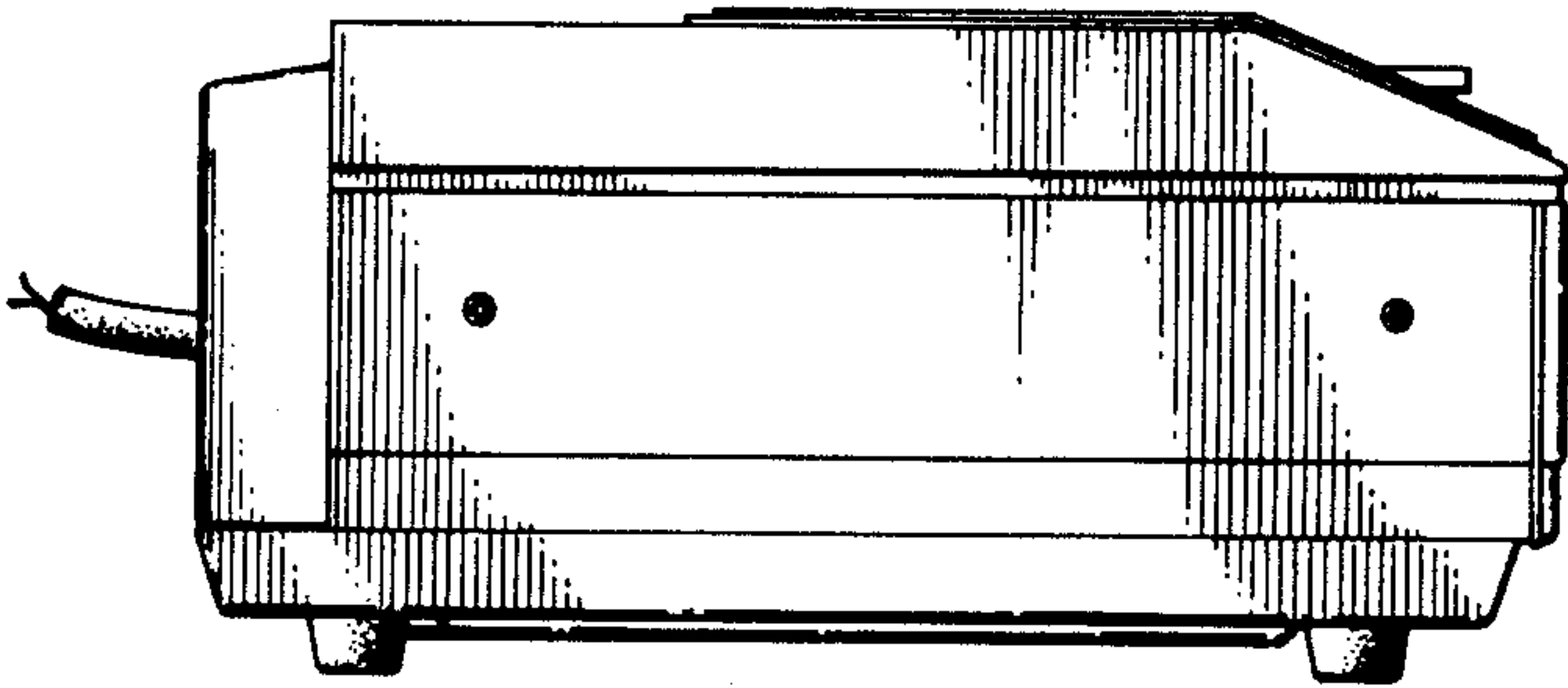


FIG. 2.

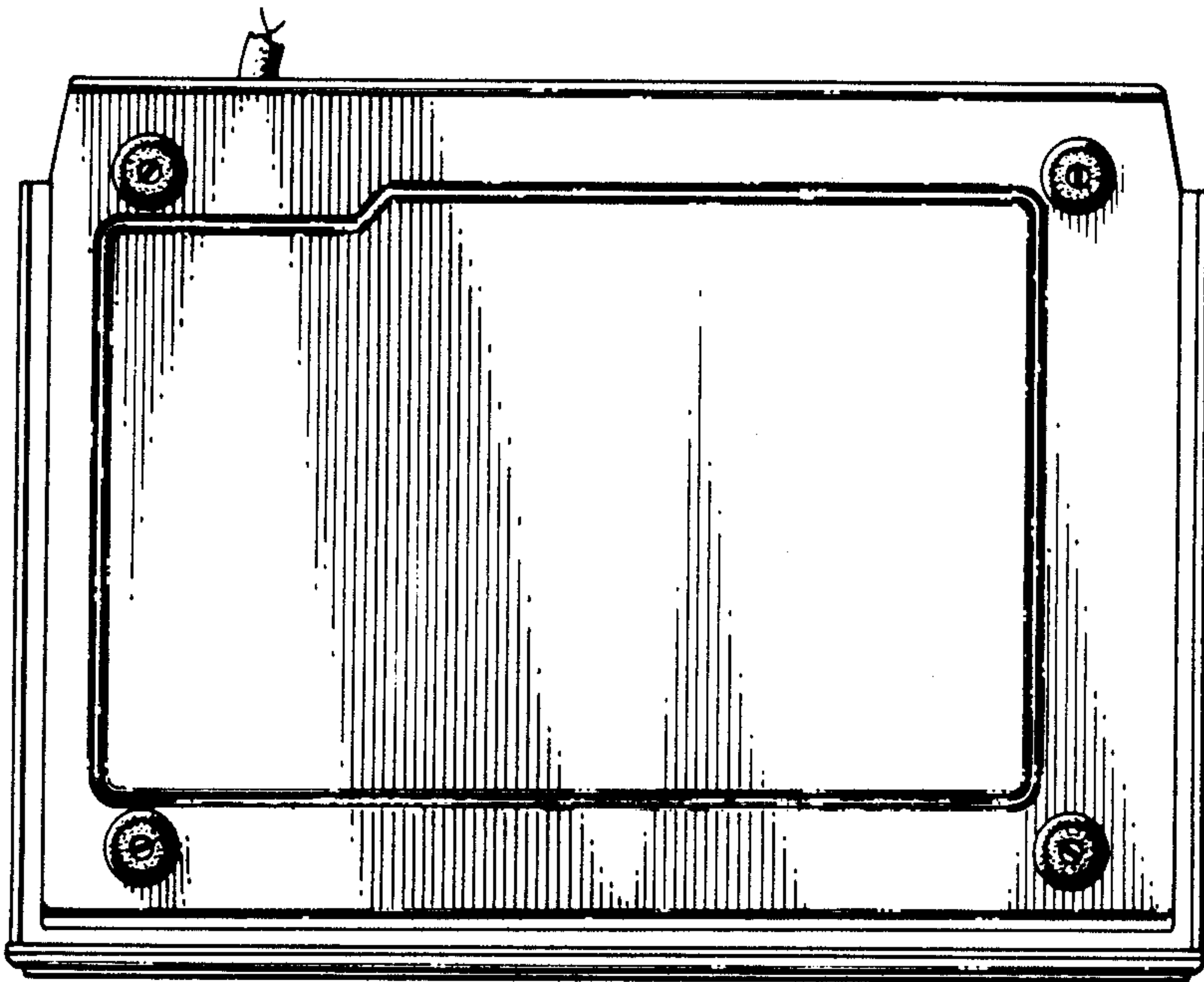
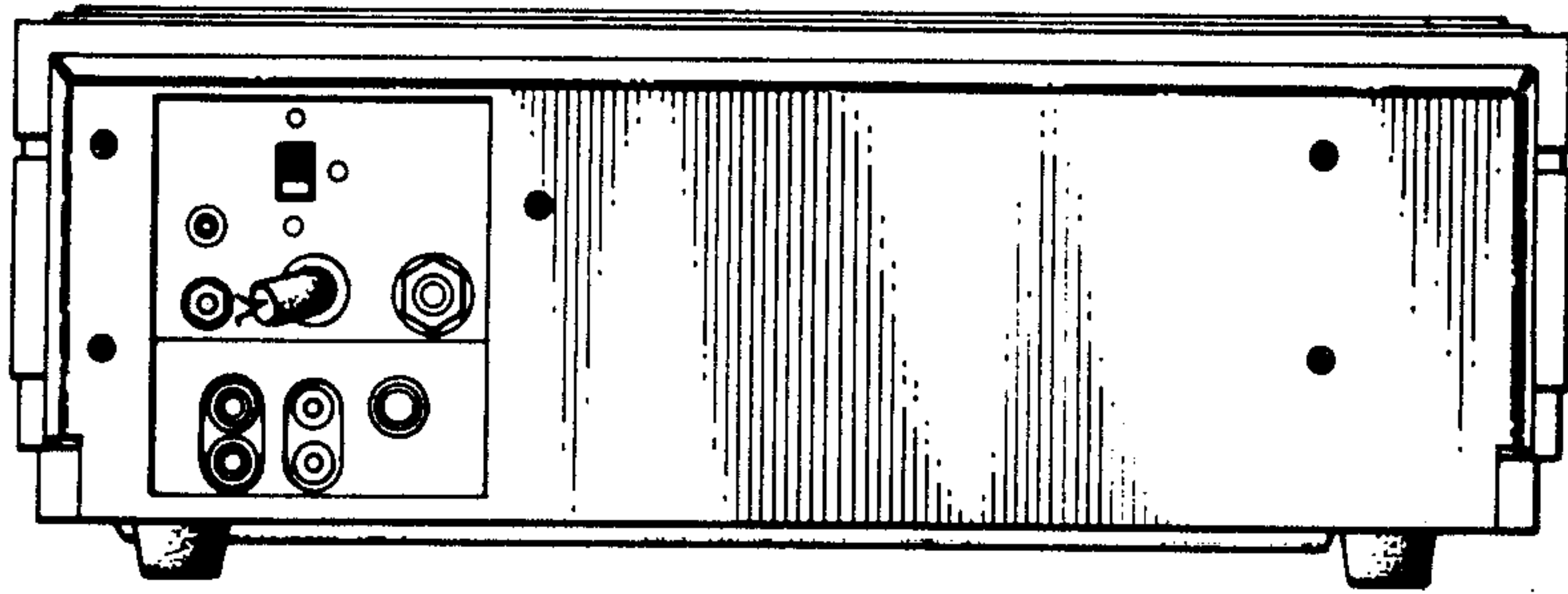




*FIG. 3.*



*FIG. 4.*



*FIG. 5.*