

[54] ELECTRICAL JUNCTION BOX

[75] Inventors: Robert T. Hughes, Thomasville; Gordon S. Servert, Kernersville; Thomas R. Marsh, High Point, all of N.C.

[73] Assignee: The Hughes Supply Company of Thomasville, Incorporated, Thomasville, N.C.

[\*\*] Term: 14 Years

[21] Appl. No.: 36,433

[22] Filed: May 7, 1979

[51] Int. Cl. .... D13-03

[52] U.S. Cl. .... D13/40

[58] Field of Search ..... D13/12, 13, 40, 41; 174/50, 52 R, 53; 220/3.2, 3.3, 3.4, 3.8, 3.9

[56] References Cited

U.S. PATENT DOCUMENTS

3,029,964 4/1962 Hudson et al. .... 220/3.4  
4,172,962 10/1979 Legerius et al. .... 174/53

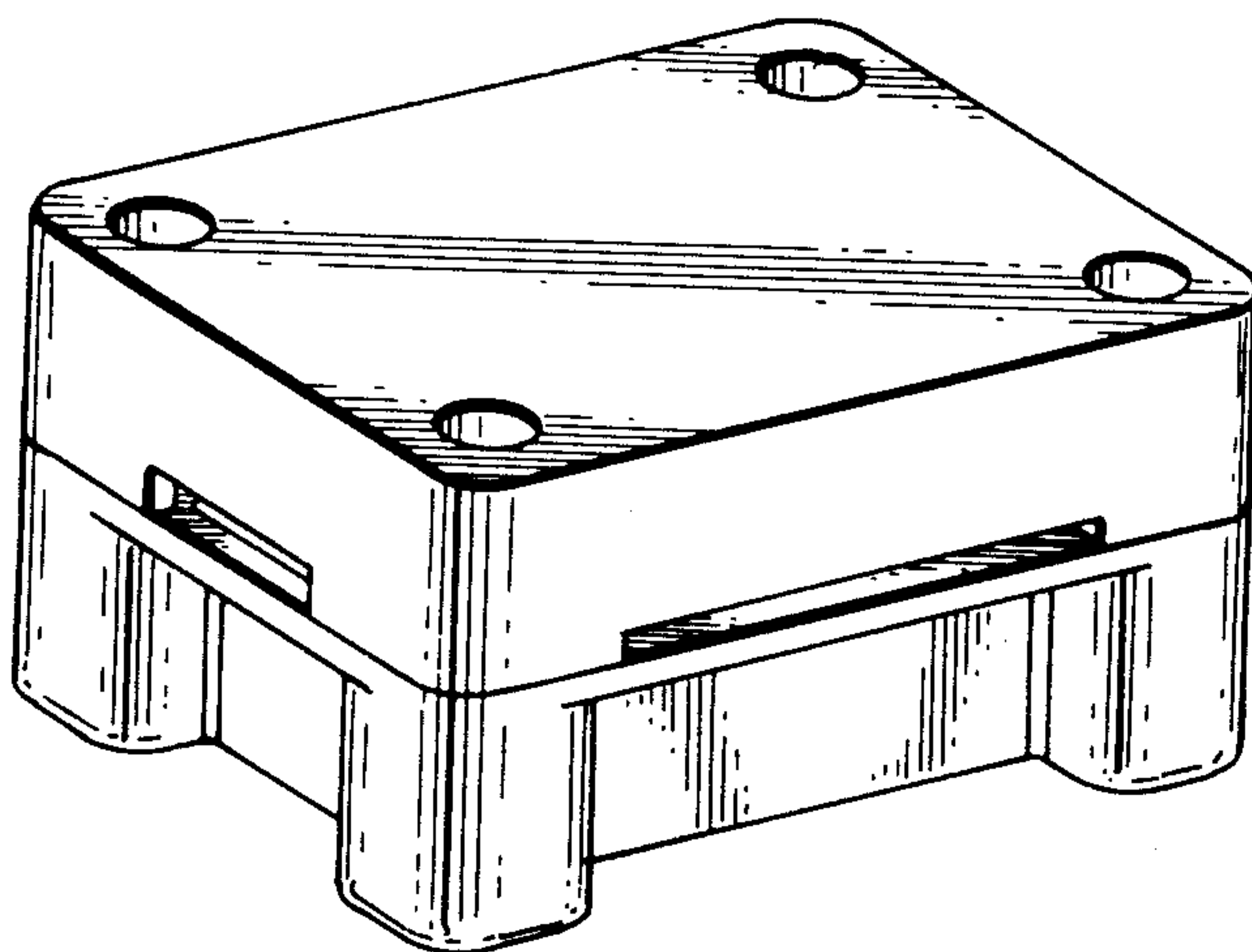
Primary Examiner—Peter M. Caun  
Attorney, Agent, or Firm—Joseph H. Heard

[57] CLAIM

The ornamental design for an electrical junction box, as shown.

DESCRIPTION

FIG. 1 is a perspective view of an electrical junction box embodying our new design;  
FIG. 2 is an elevational view of either side of the box of FIG. 1;  
FIG. 3 is a bottom plan view of the box of FIG. 1;  
FIG. 4 is a top plan view of the box of FIG. 1;  
FIG. 5 is an elevational view of either end of the box of FIG. 1;  
FIG. 6 is a perspective view showing the box of FIG. 1 in a disassembled condition;  
FIG. 7 is a vertical sectional view of the box taken along either line 7—7 of FIG. 4; and  
FIG. 8 is a top plan view of the base component of the box, shown separately for purposes of clarity of illustration only.



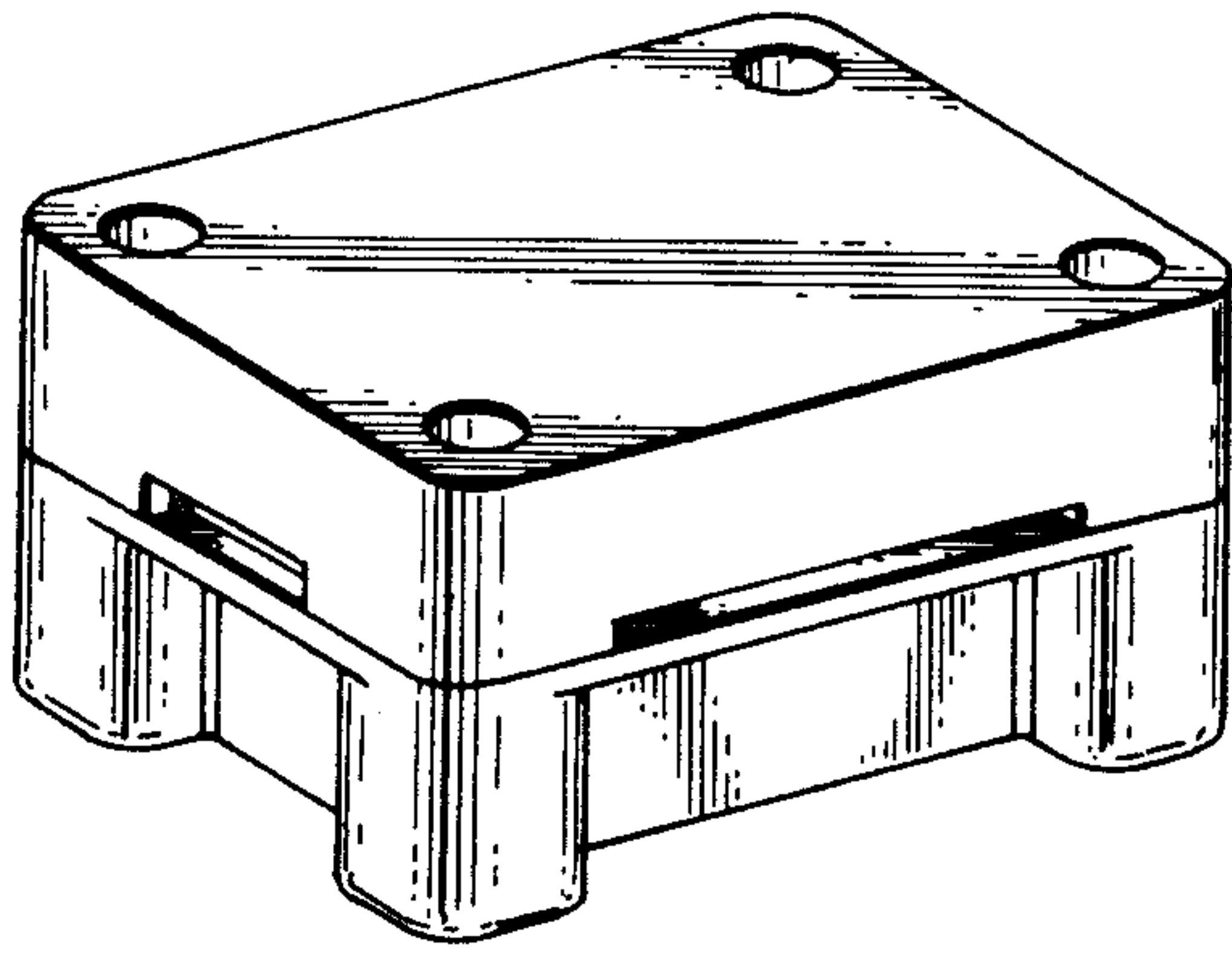


FIG. 1

FIG. 2

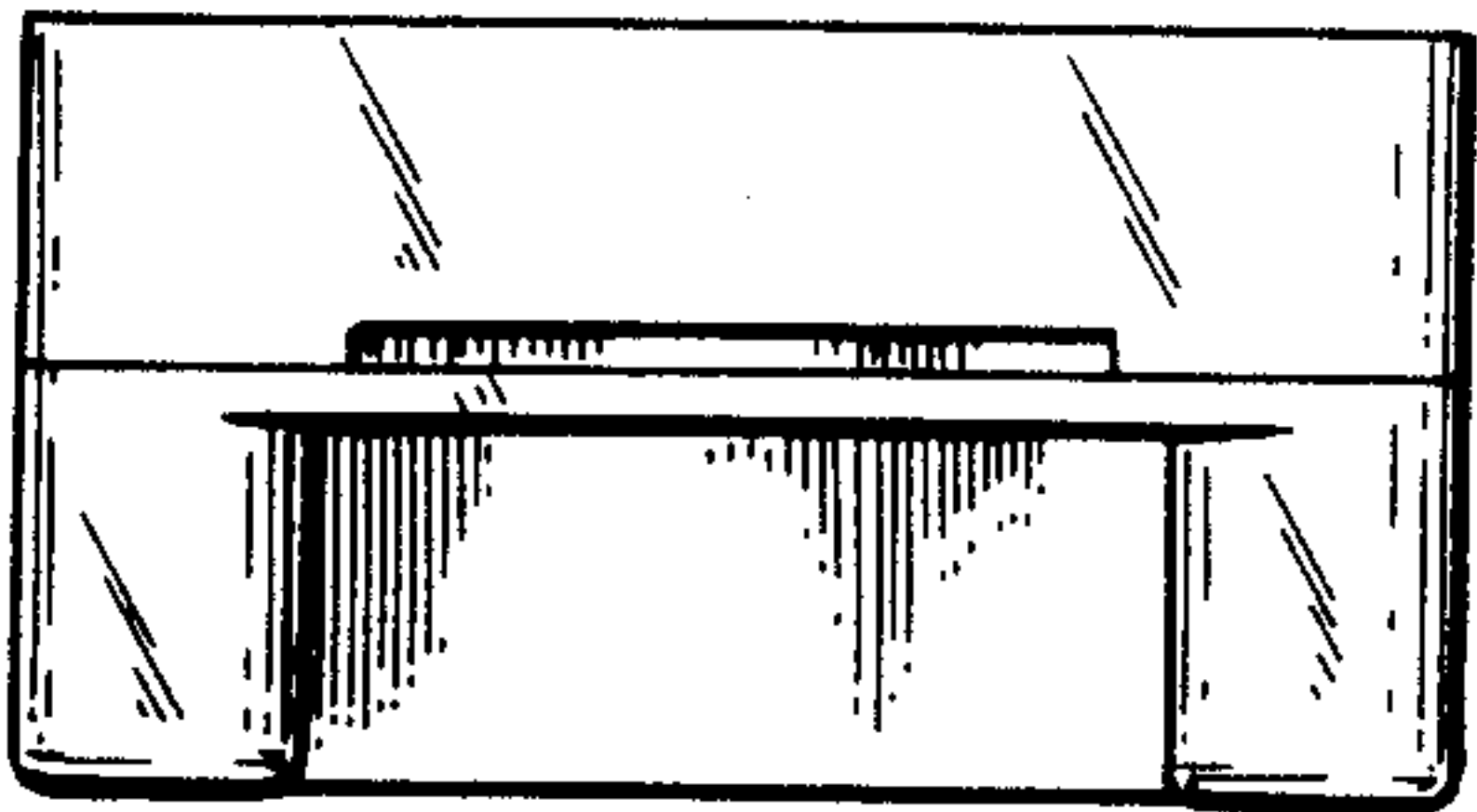


FIG. 3

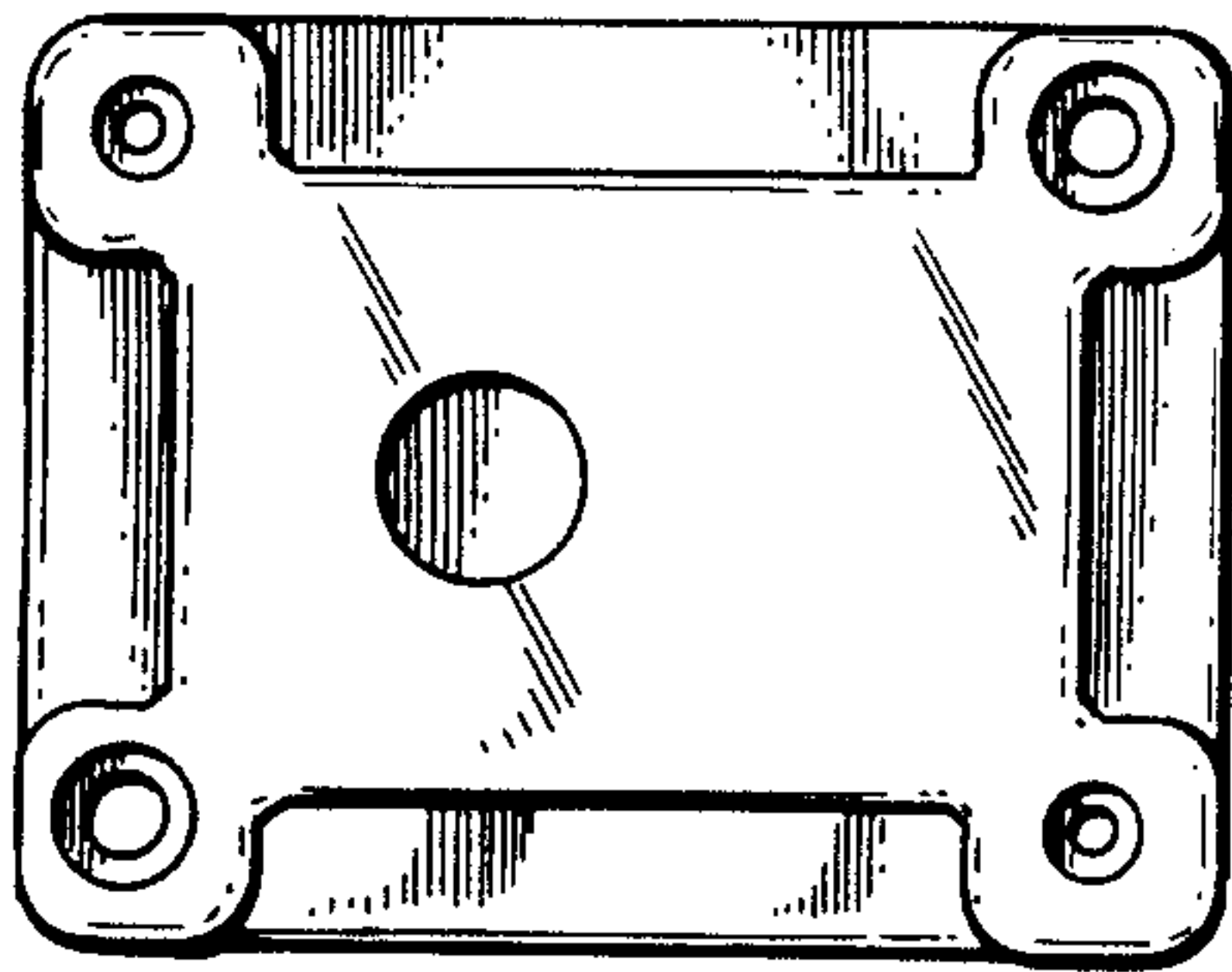


FIG. 4

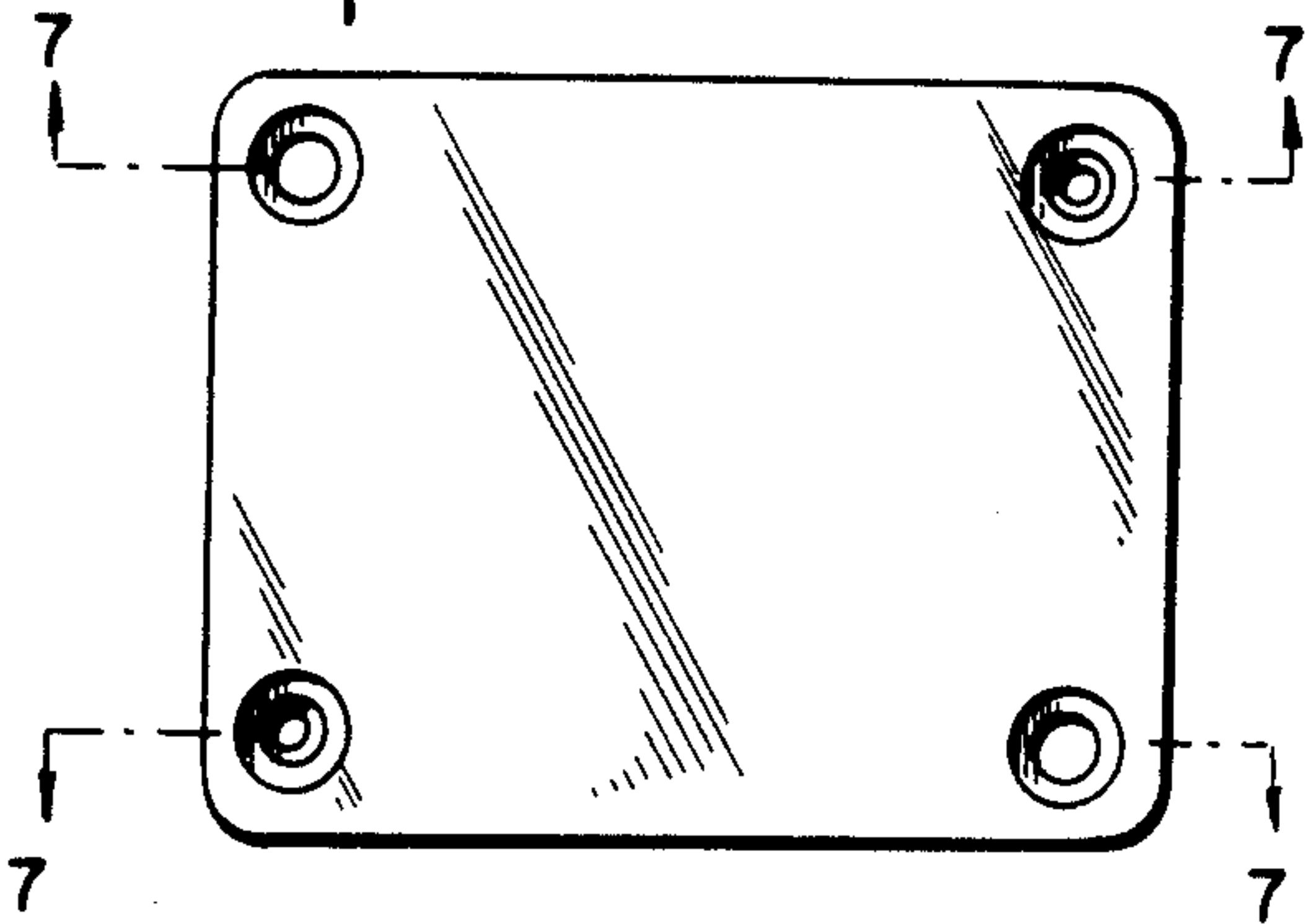
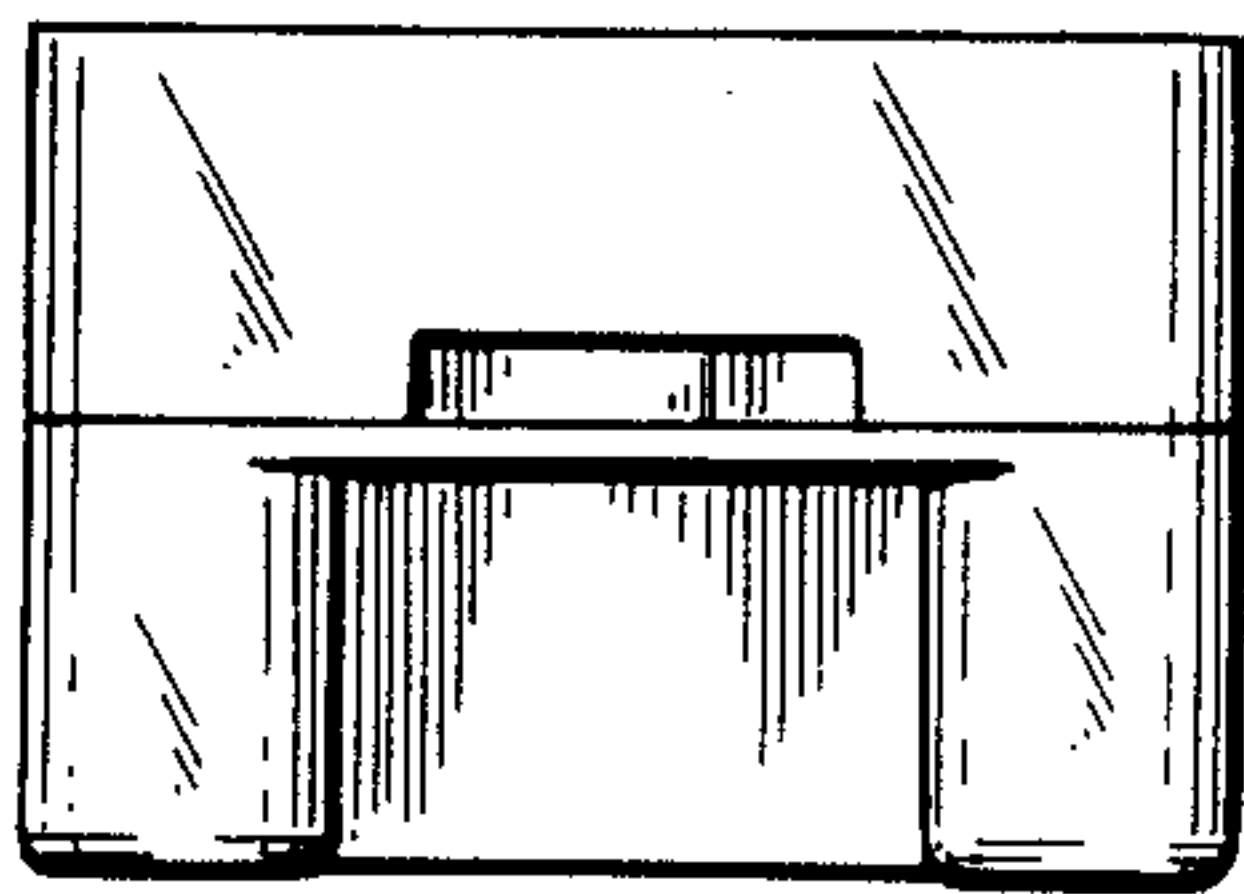


FIG. 5



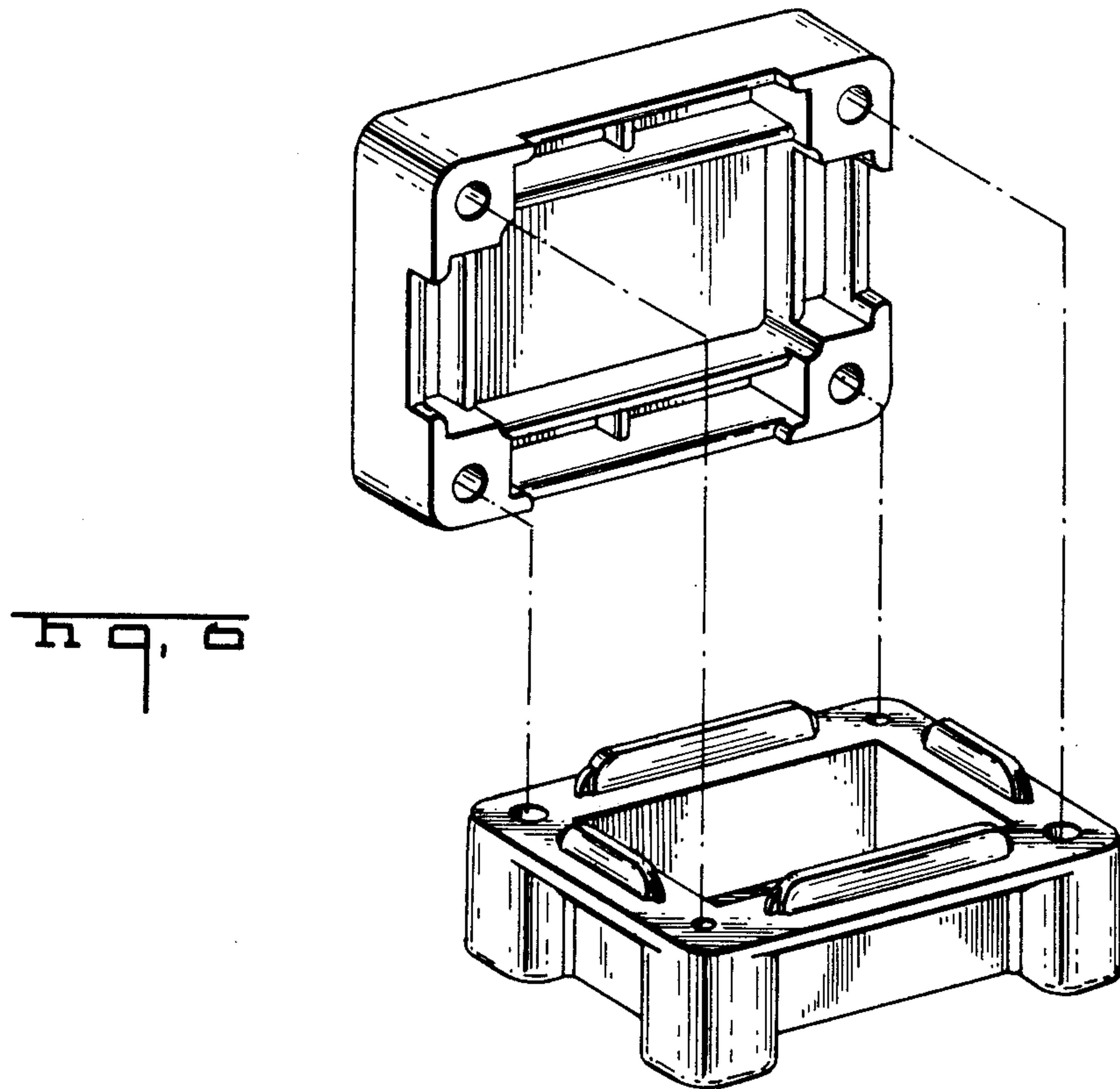


Fig. 6

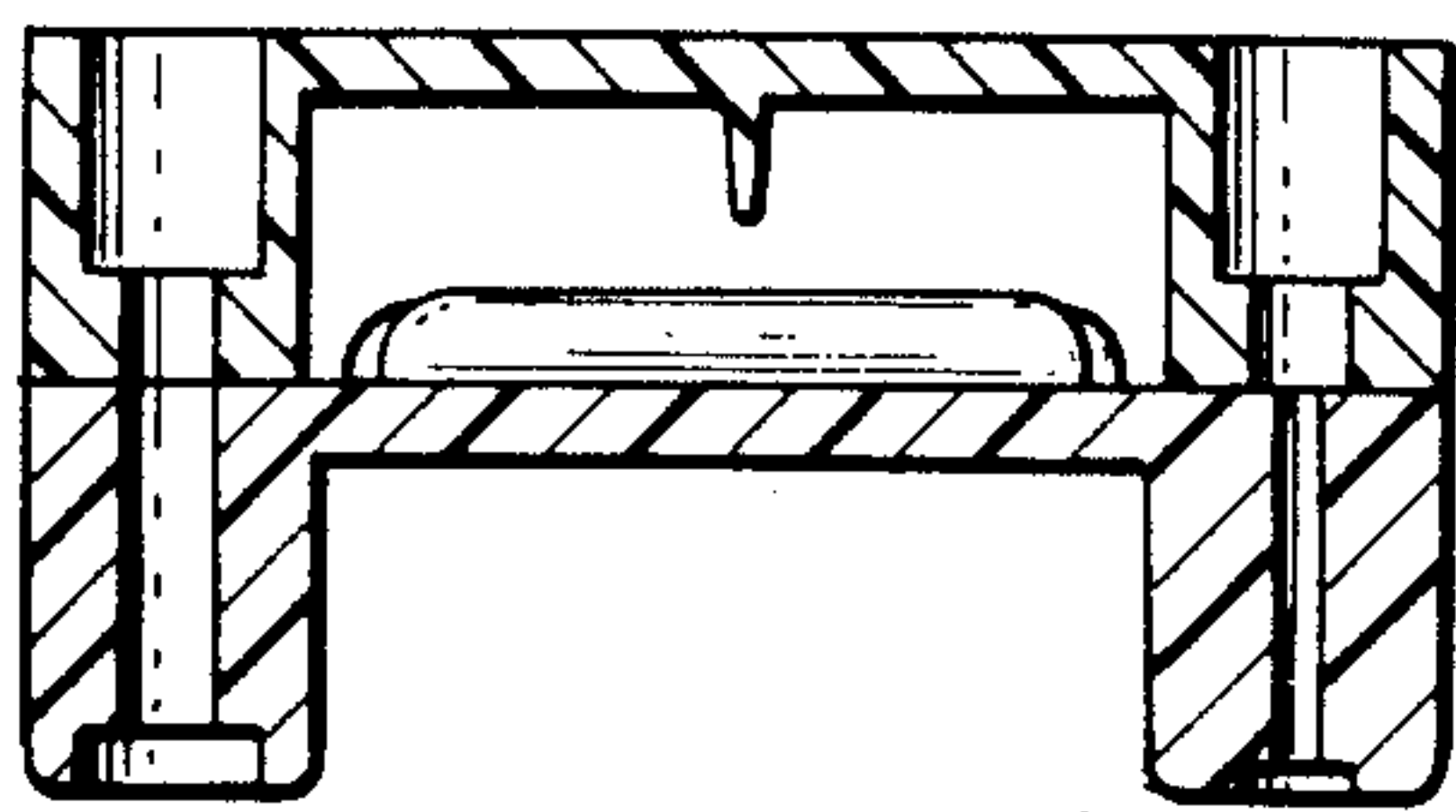


Fig. 7

Fig. 8

