

[54] RING

D. 227,031 5/1973 Sciotti D11/30

[76] Inventor: Patrick S. Solon, 2525 Thorn, Fullerton, Calif. 92635

Primary Examiner—Louis S. Zarfes
Attorney, Agent, or Firm—Lawrence D. Sassone

[**] Term: 14 Years

[57] CLAIM

[21] Appl. No.: 952,237

The ornamental design for a ring, as shown and described.

[22] Filed: Oct. 18, 1978

DESCRIPTION

[51] Int. Cl. D11-01

FIG. 1 is a front elevational view of a ring showing my new design;

[52] U.S. Cl. D11/35

FIG. 2 is a left side elevational view thereof;

[58] Field of Search D11/26-31,
D11/34-37; 63/1 R, 2, 15-15.8

FIG. 3 is a top plan view thereof;

FIG. 4 is a rear elevational view thereof;

FIG. 5 is a left side elevational view of a ring showing a modified form of my new design;

FIG. 6 is a front elevational view thereof;

FIG. 7 is a right side elevational view thereof;

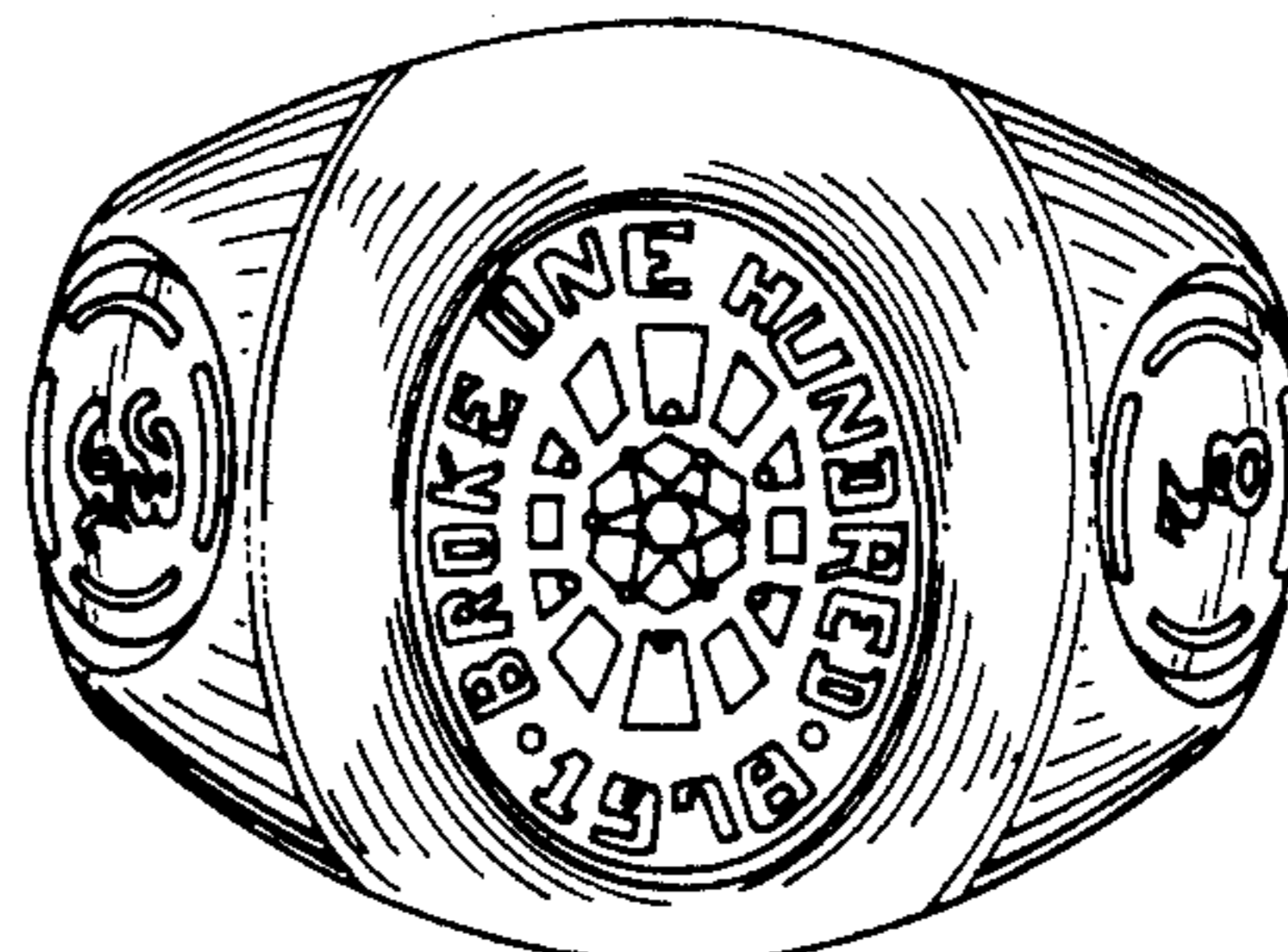
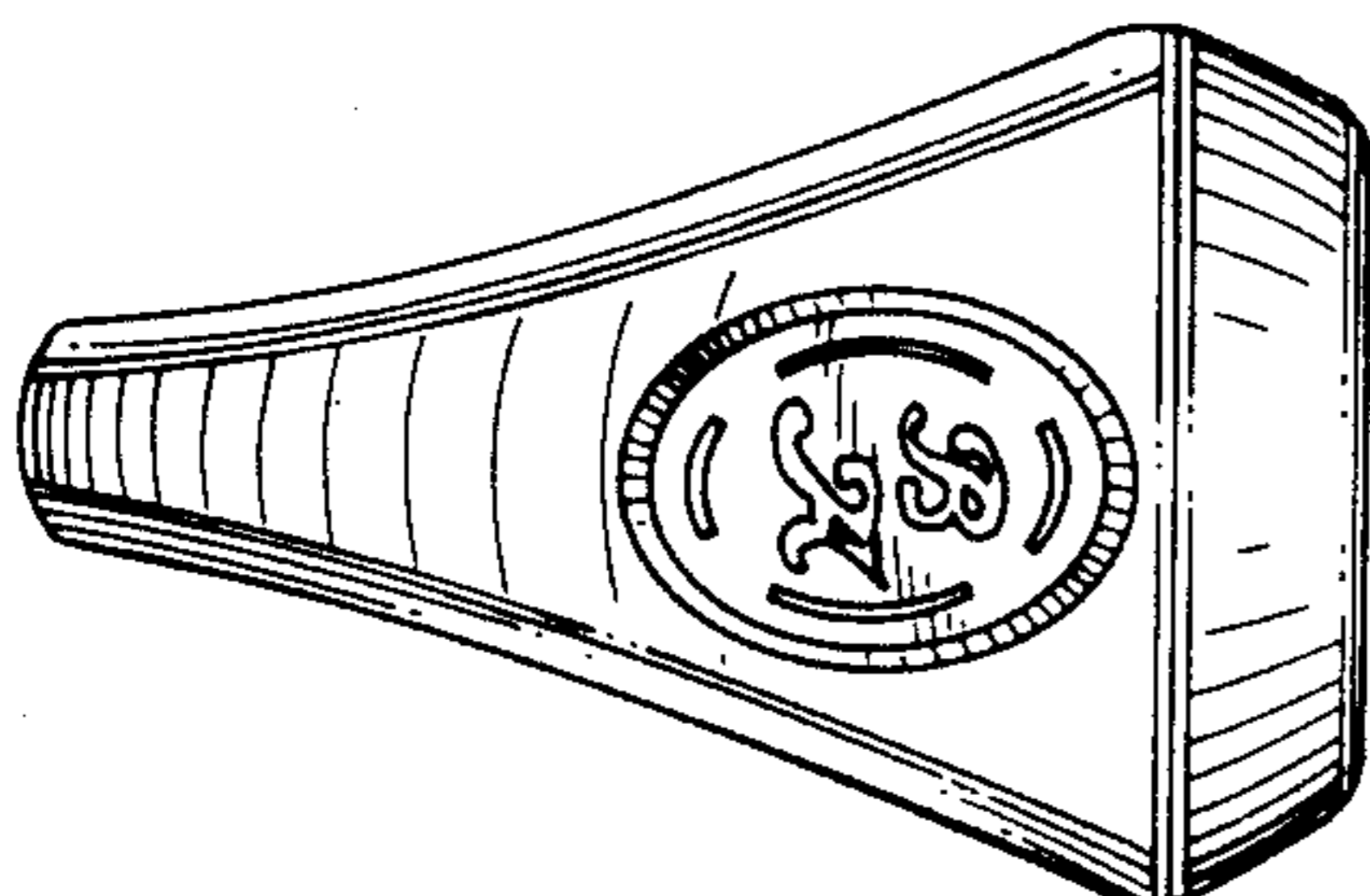
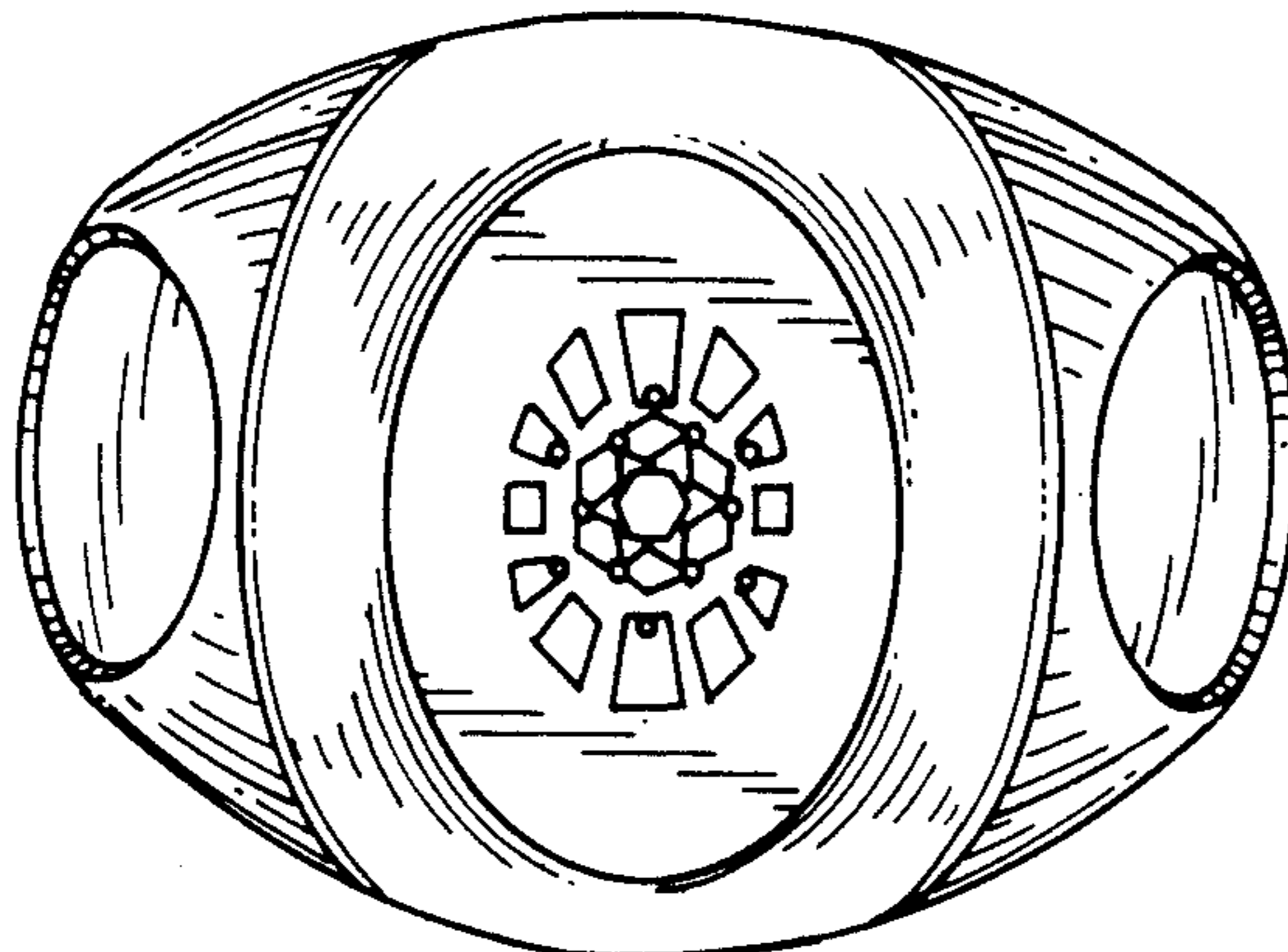
FIG. 8 is a top plan view thereof; and

FIG. 9 is a rear elevational view thereof.

[56] References Cited

U.S. PATENT DOCUMENTS

D. 52,790	12/1918	Gorod	D11/31
D. 91,680	3/1934	Mertens	D11/34
D. 169,569	5/1953	Strathmeyer	D11/31



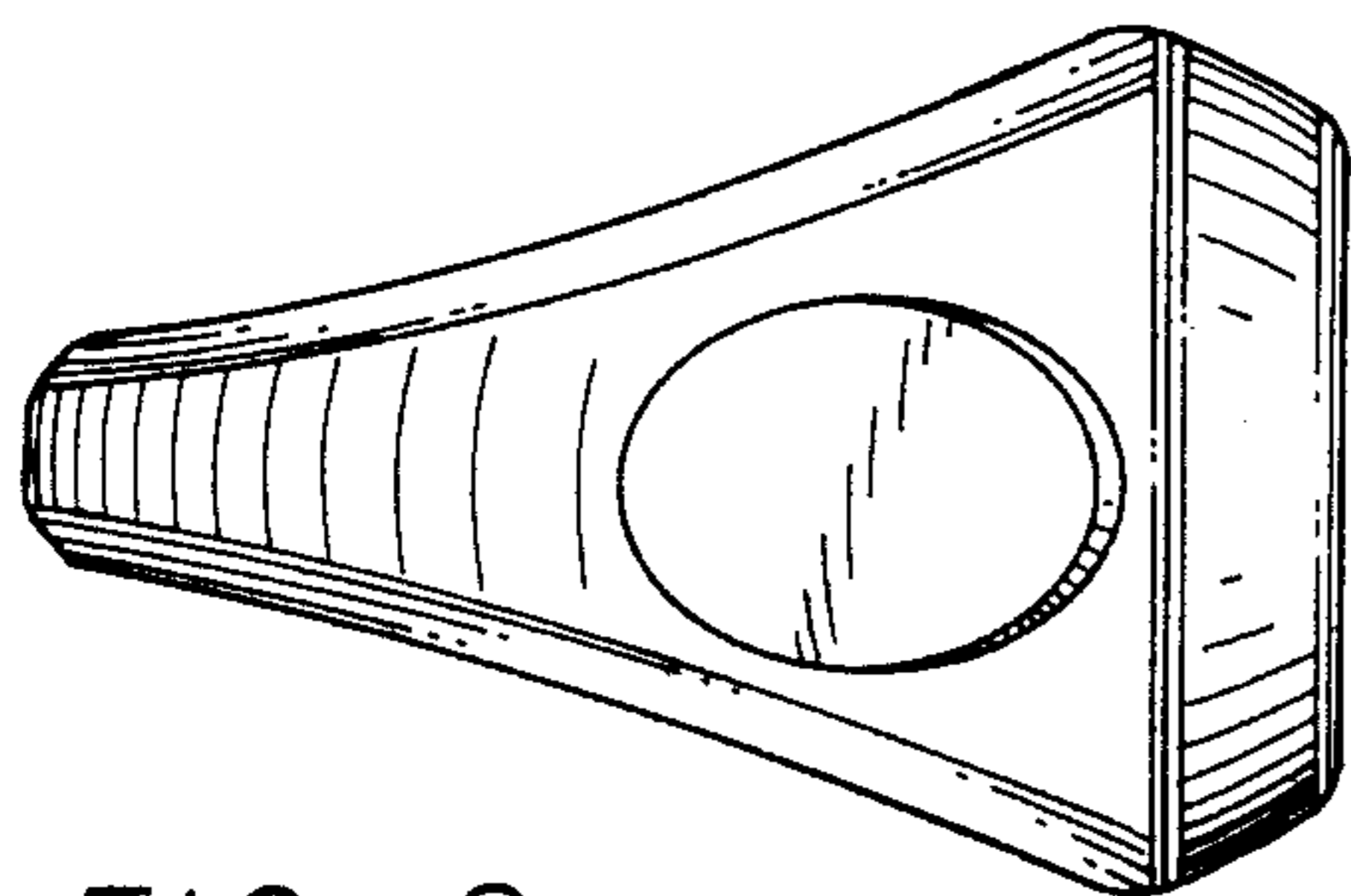


FIG. 2

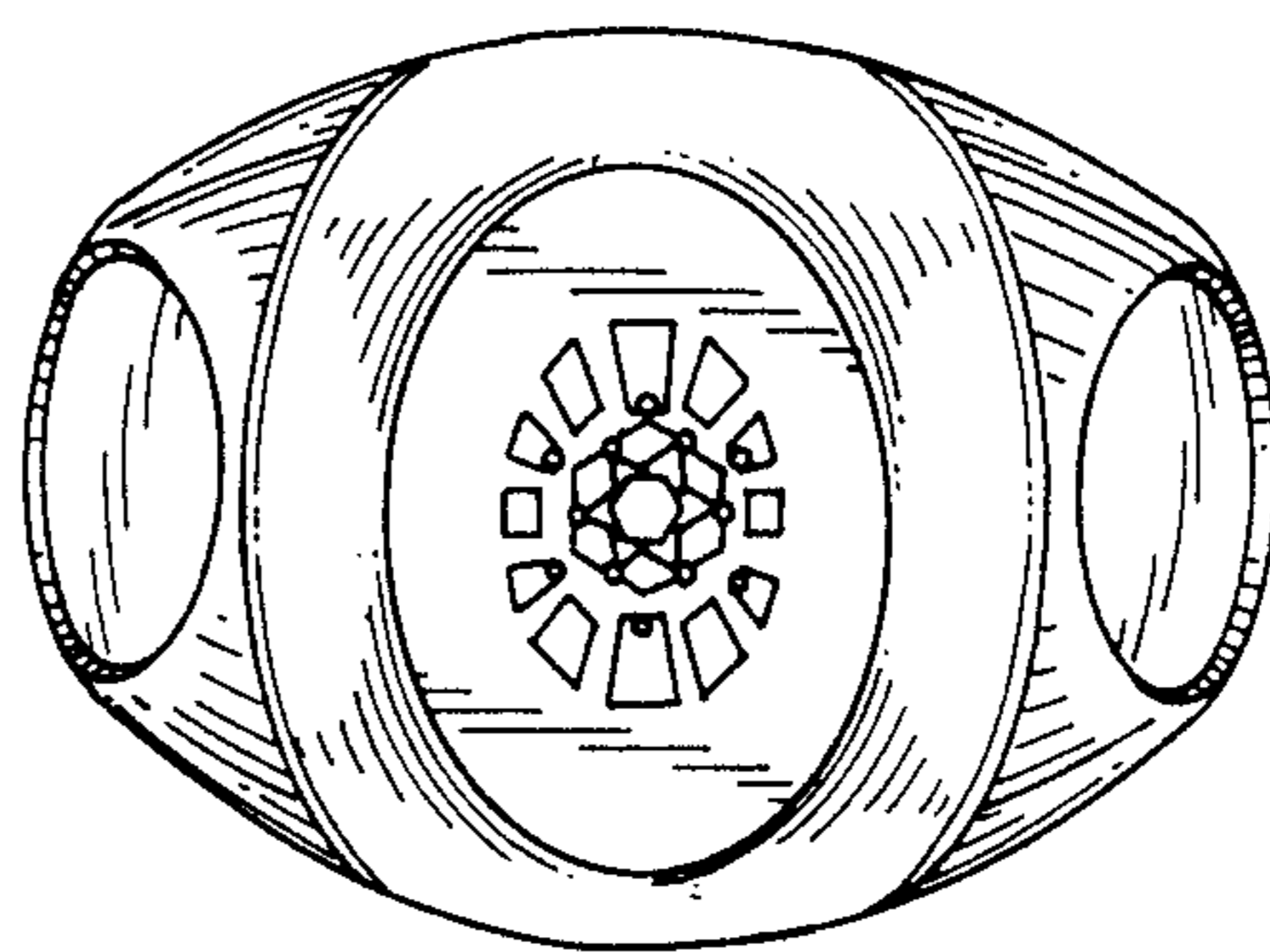


FIG. 1

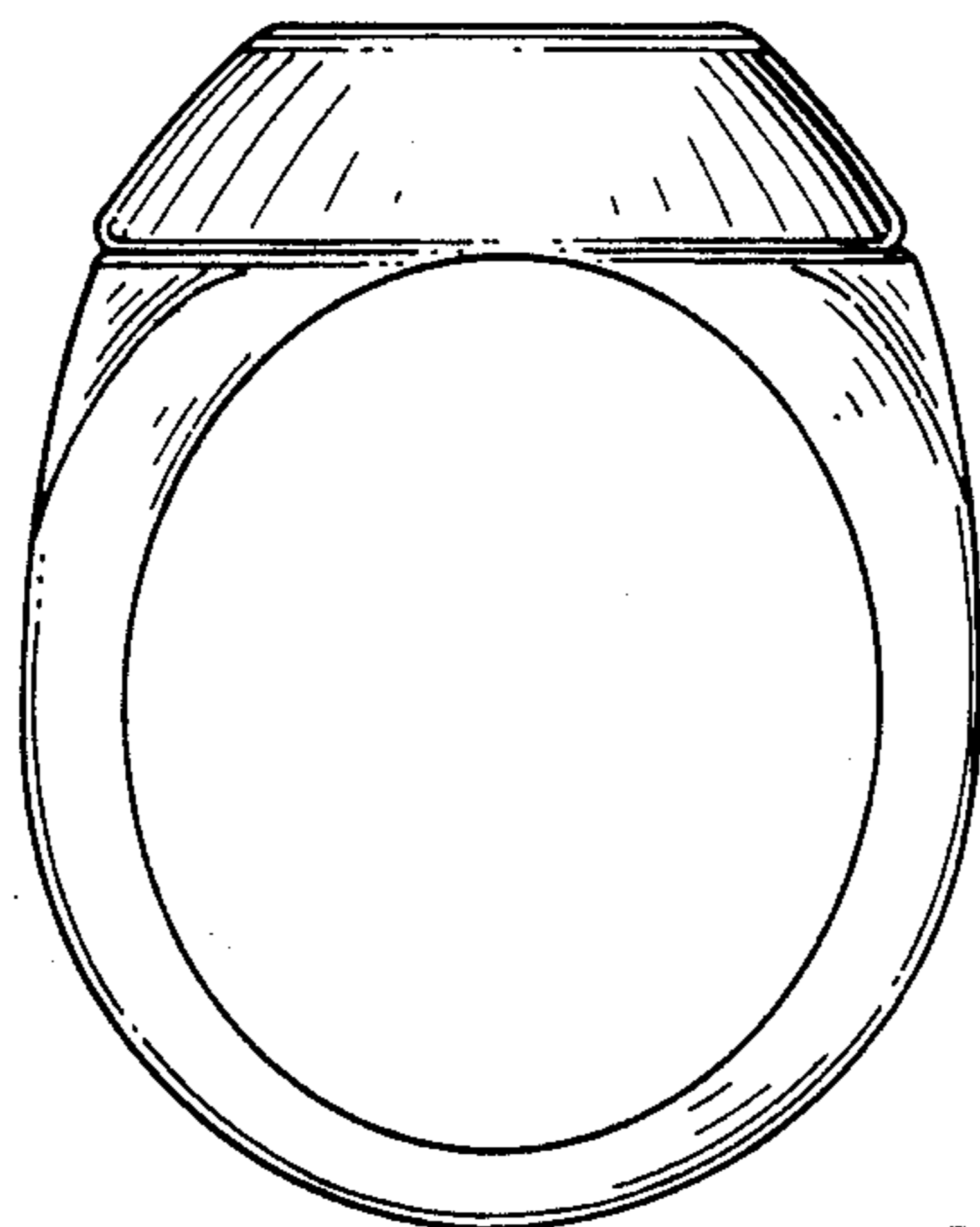


FIG. 3

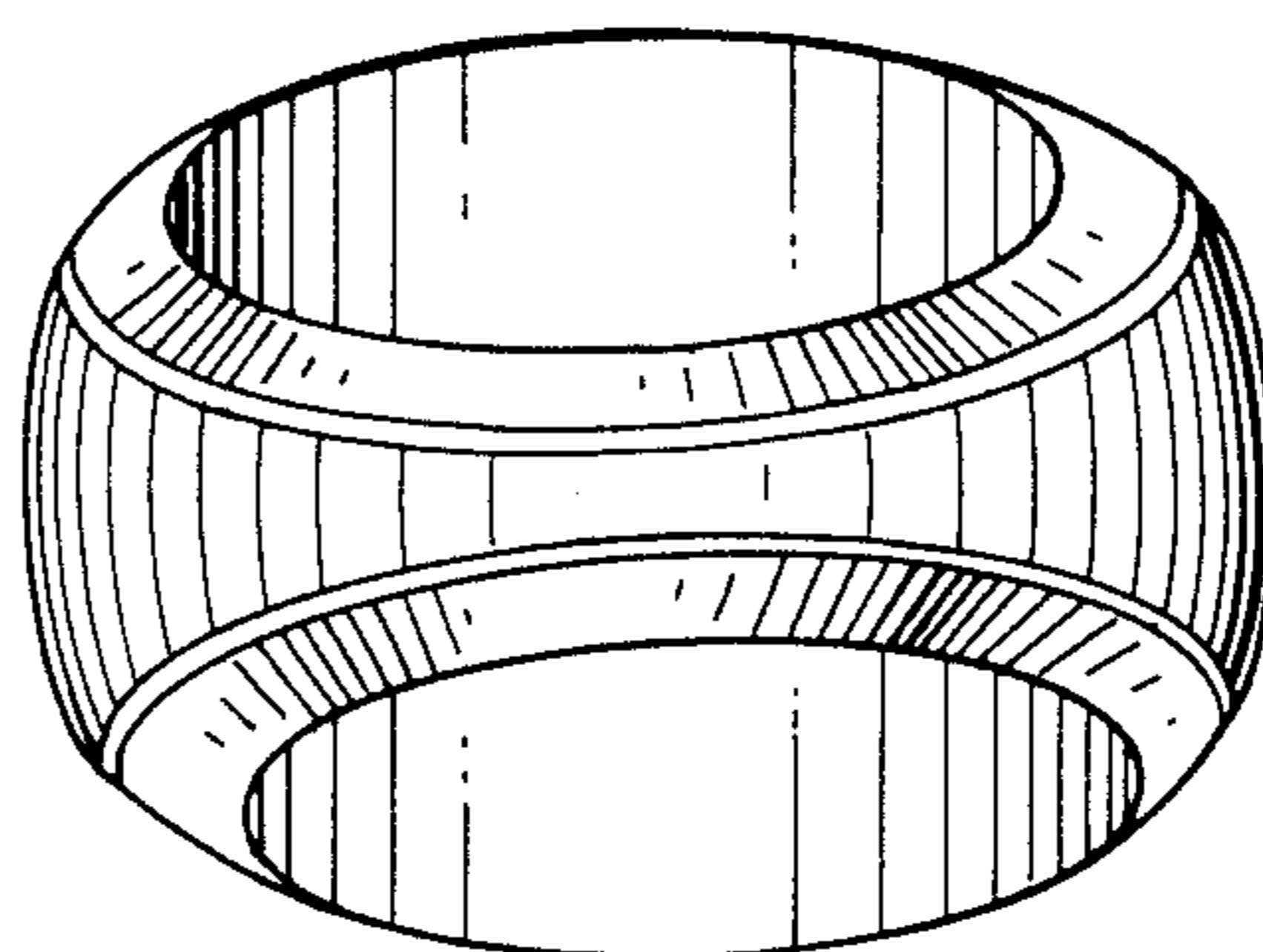


FIG. 4

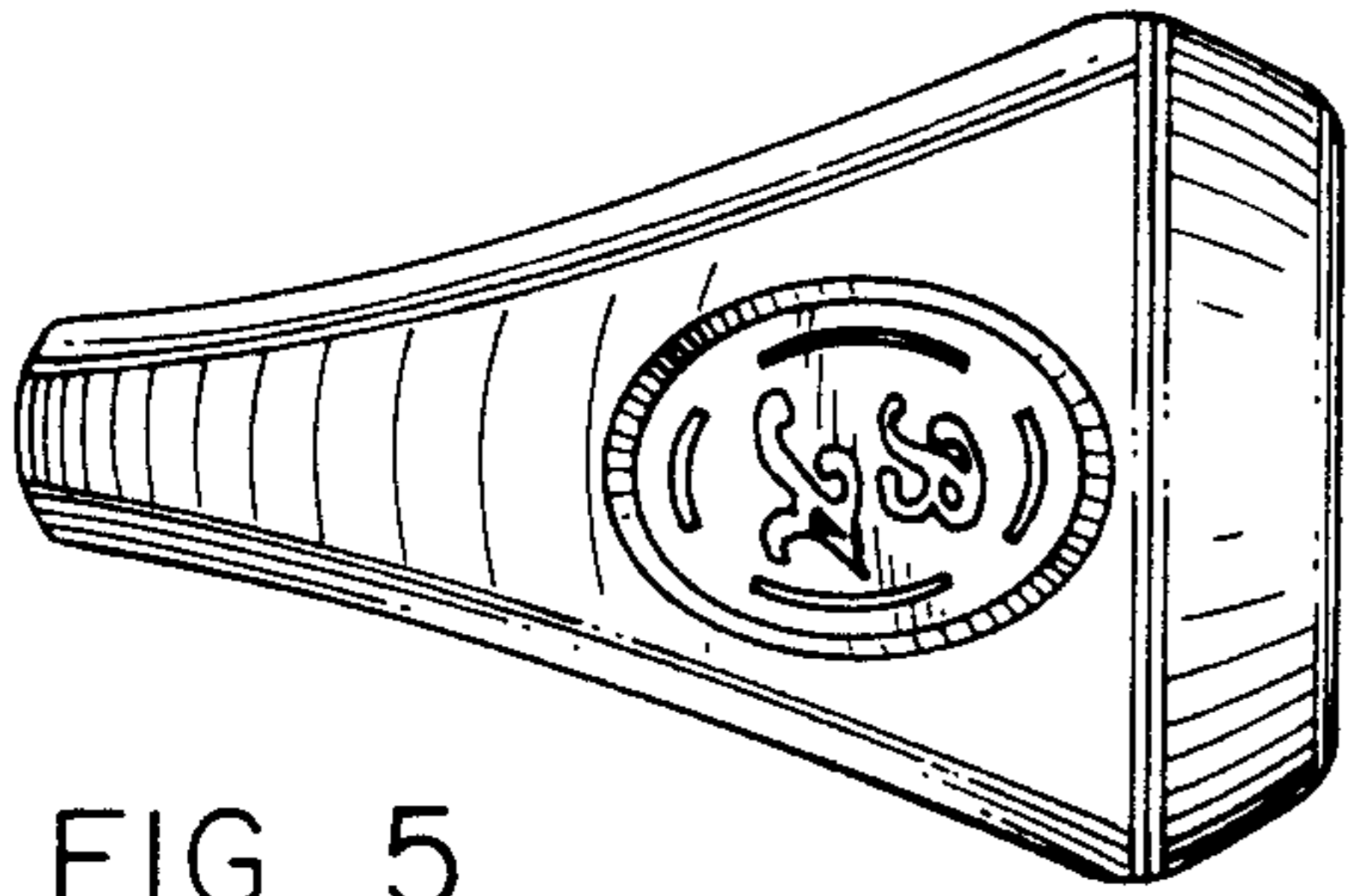


FIG. 5

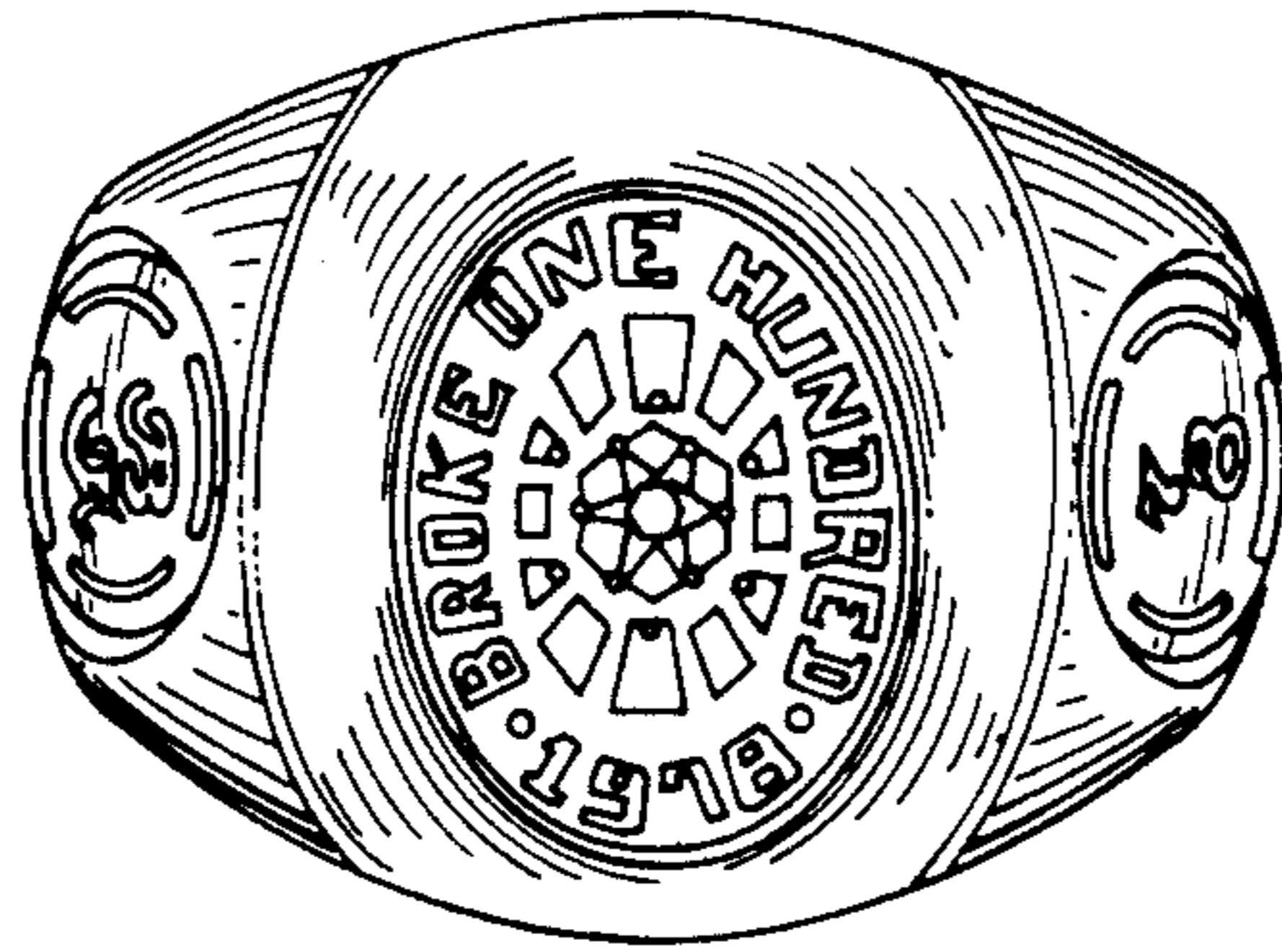


FIG. 6

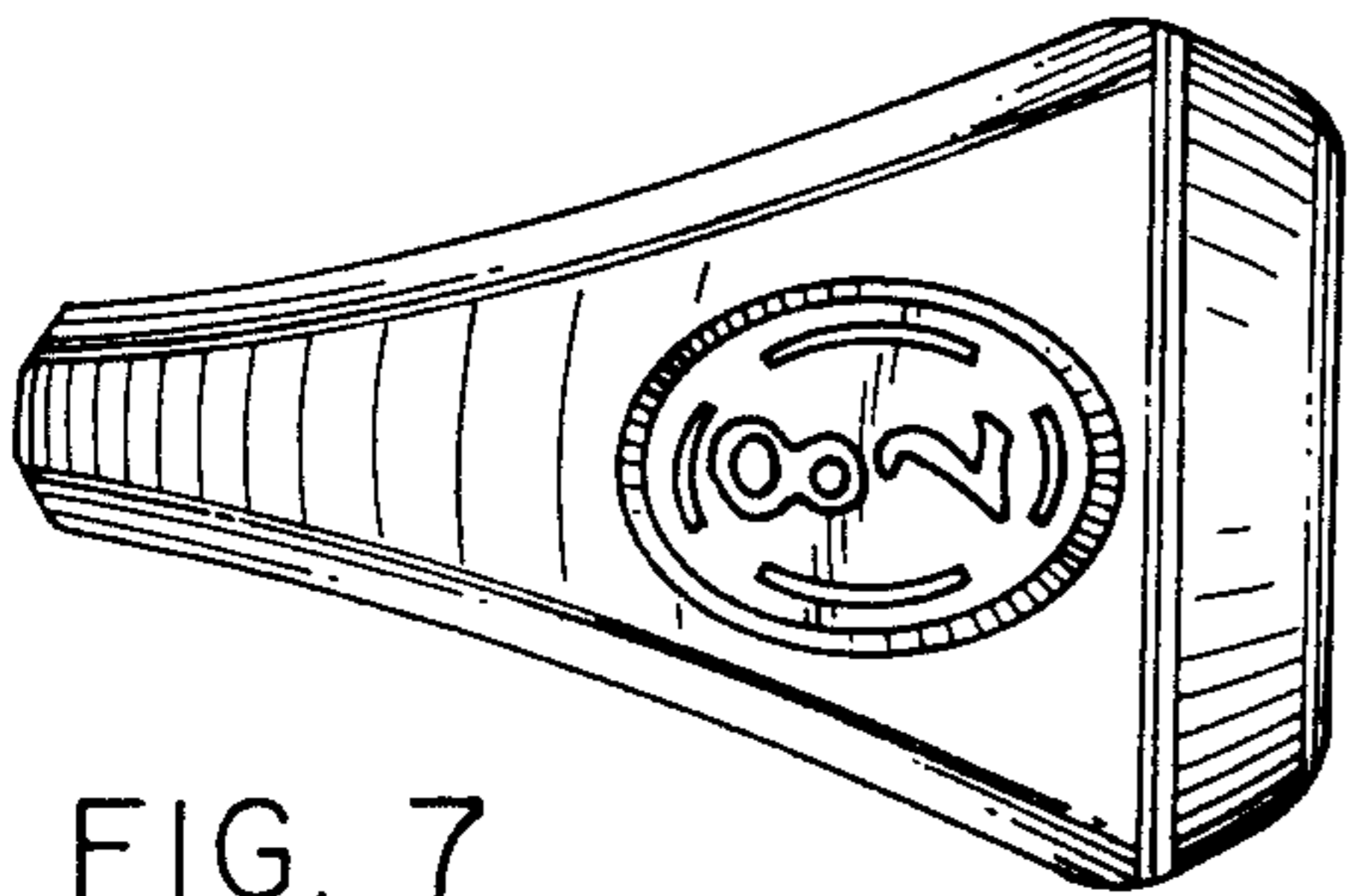


FIG. 7

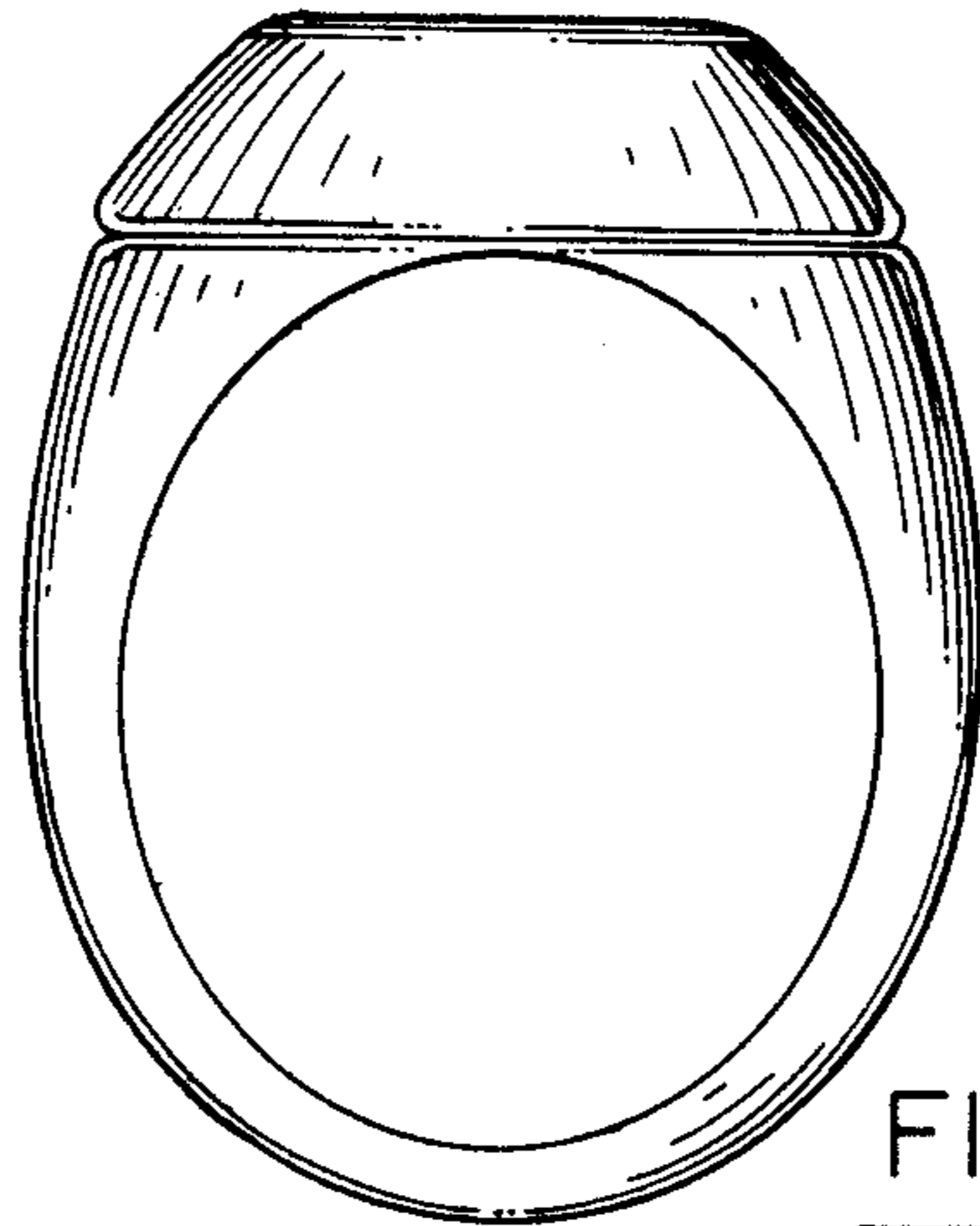


FIG. 8

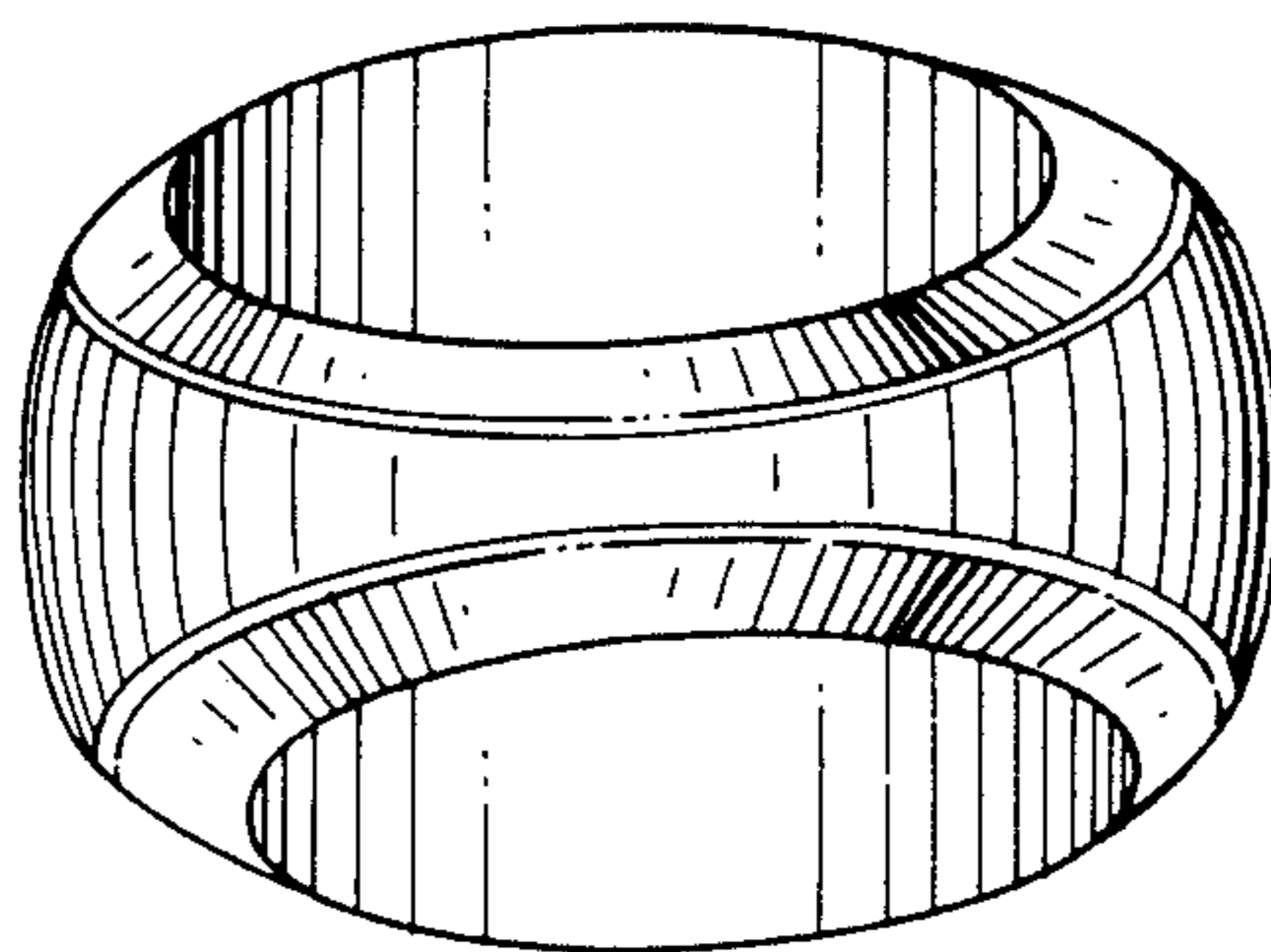


FIG. 9