

[54] COMBINED BOX SEALING CLIP AND HANDLE

[75] Inventor: Robert E. Strickland, Los Angeles, Calif.

[73] Assignee: David Hersh & Associates, Los Angeles, Calif.

[\*\*] Term: 14 Years

[21] Appl. No.: 952,940

[22] Filed: Oct. 19, 1978

[51] Int. Cl. .... D09-99

[52] U.S. Cl. .... D9/443

[58] Field of Search ..... D9/253, 291, 292, 294; 24/81 AG, 81 A, 81 AB, 81 AF; 229/62, 52 A, 52 AL

[56] References Cited

U.S. PATENT DOCUMENTS

- D. 218,962 10/1970 Hollinworth ..... D9/292
- 1,569,986 1/1926 Kurtzborn ..... 24/81 AF
- 3,297,350 1/1967 Hidding ..... 229/52 AL

FOREIGN PATENT DOCUMENTS

67927 3/1958 France ..... 24/81 A

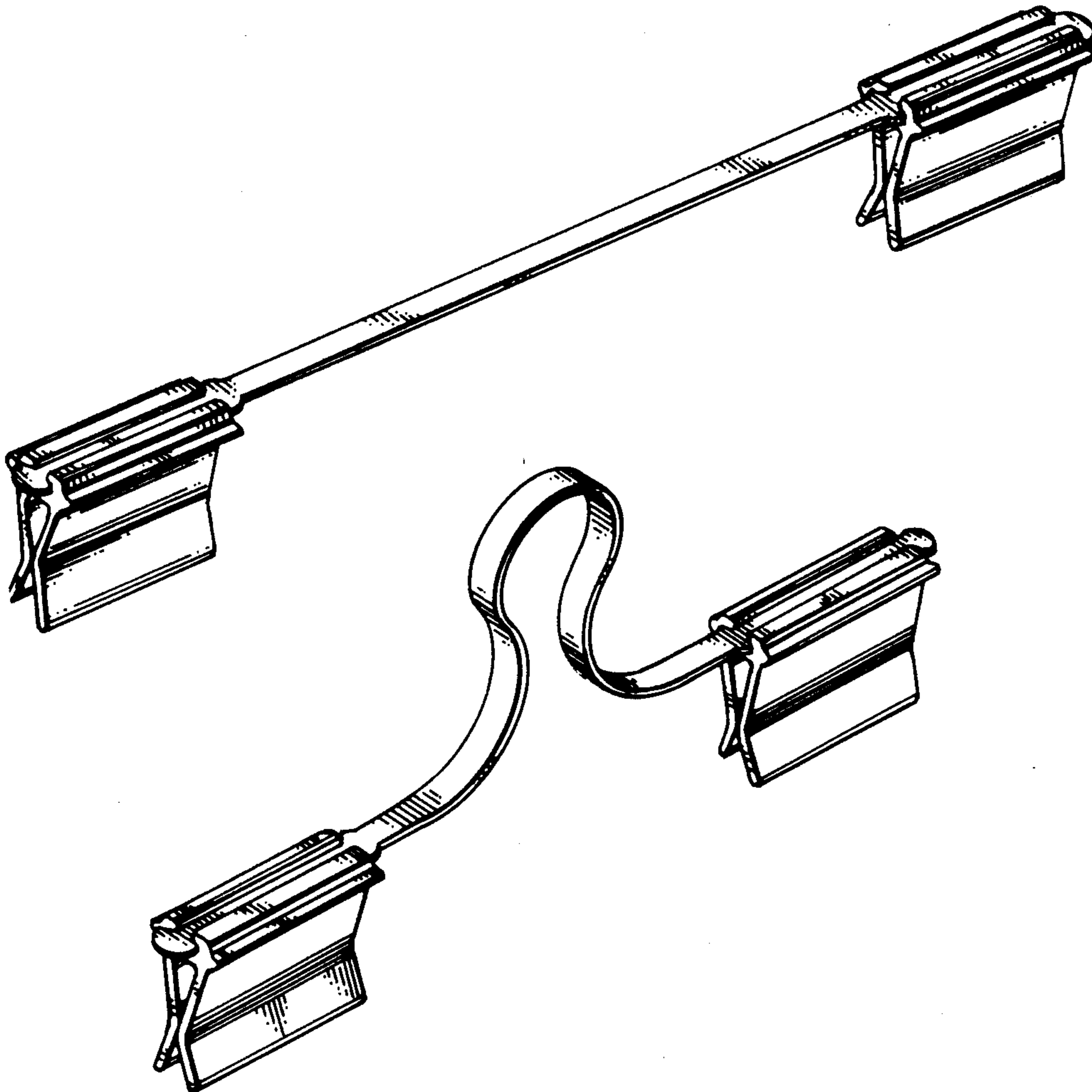
Primary Examiner—Melvin B. Feifer  
Assistant Examiner—Carmen H. Vales  
Attorney, Agent, or Firm—Christie, Parker & Hale

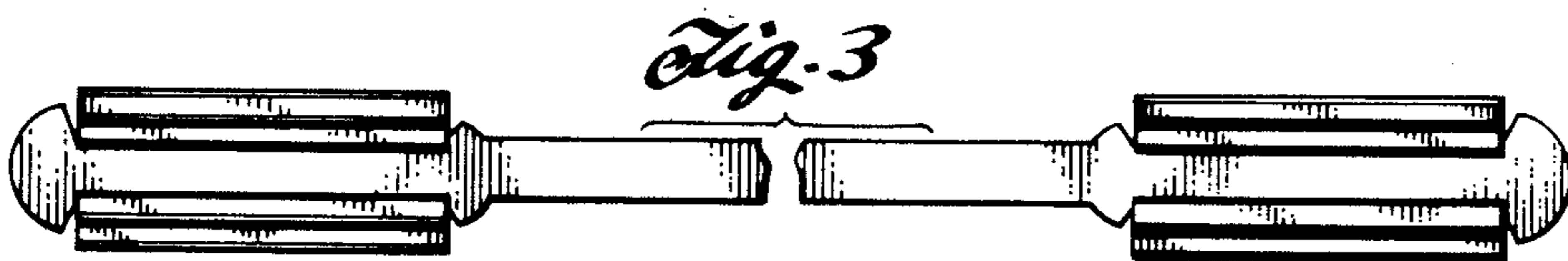
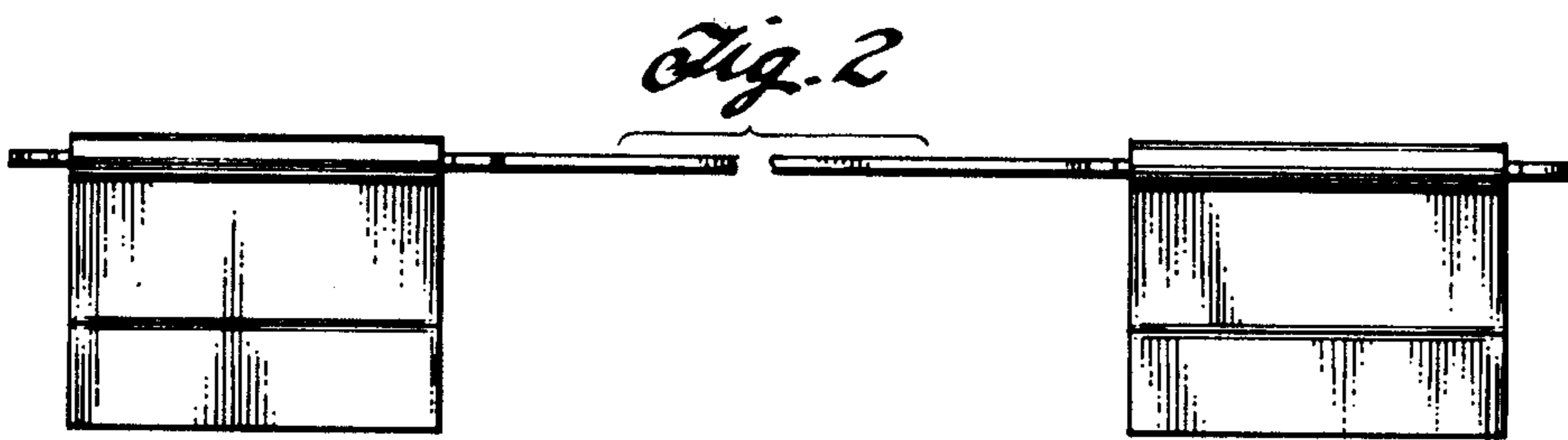
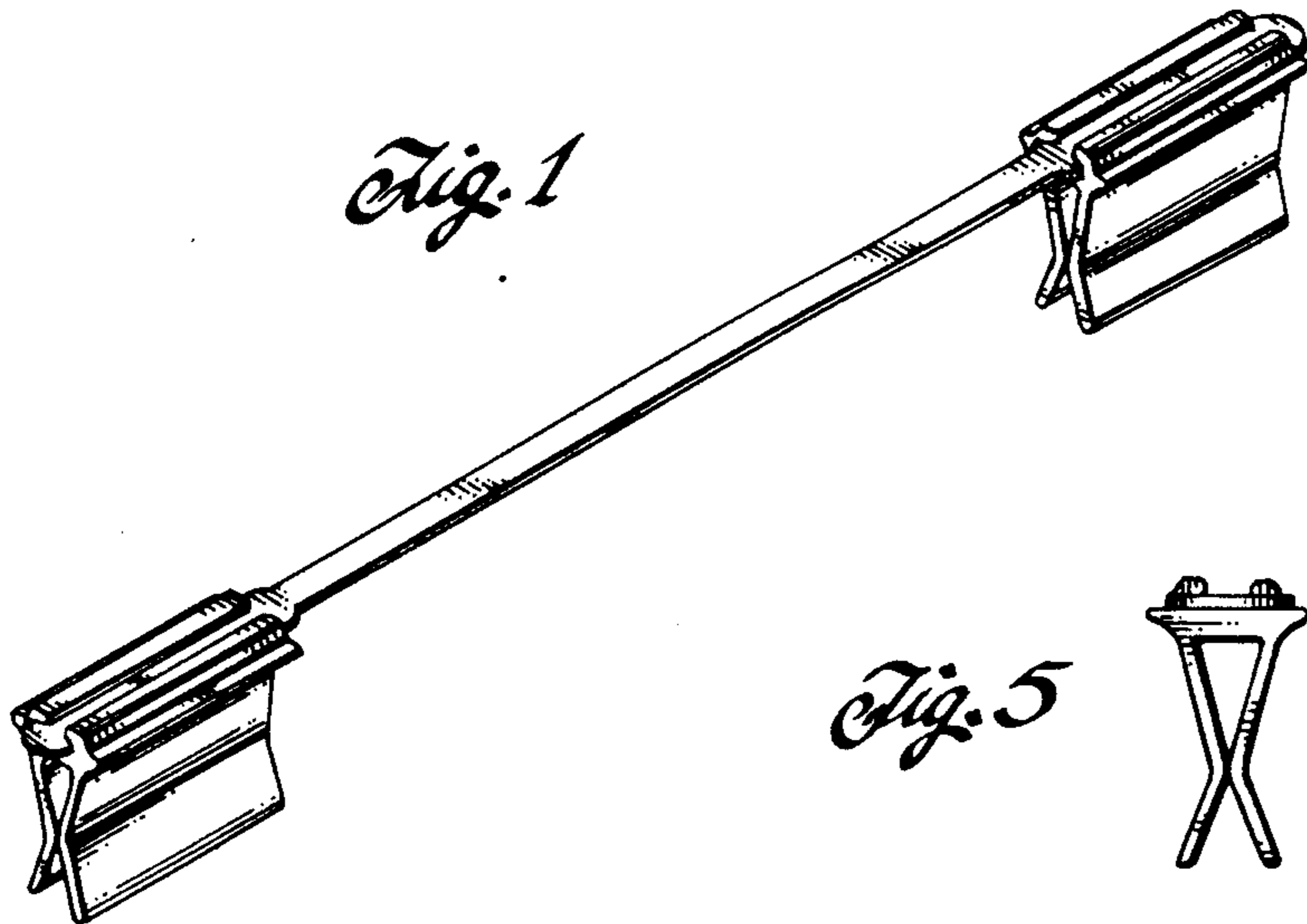
[57] CLAIM

The ornamental design for a combined box sealing clip and handle, substantially as shown and described.

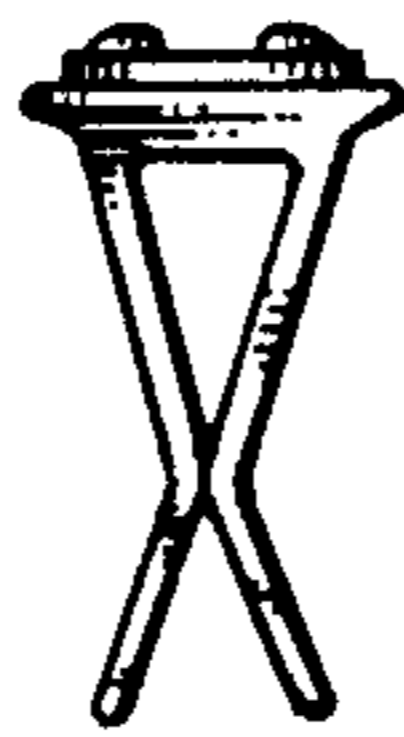
DESCRIPTION

FIG. 1 is a top perspective view of a combined box sealing clip and handle showing my new design; FIG. 2 is a front elevational view on an enlarged scale broken away for convenience of illustration; FIG. 3 is a top plan view thereof broken away for convenience of illustration; FIG. 4 is a bottom view thereof broken away for convenience of illustration; FIG. 5 is a left end elevational view thereof; FIG. 6 is a right end elevational view thereof; and FIG. 7 is a top perspective view of FIG. 1 in an operative condition.





*Fig. 6*



*Fig. 7*

