

[54] **CARTON**

[75] Inventors: **Richard A. Ravotto**, West Milford, N.J.; **Charles W. Rosenberg, Jr.**, Tonawanda, N.Y.

[73] Assignees: **J. C. Penney Company, Inc.**, New York; **F. N. Burt Co., Inc.**, Buffalo, both of N.Y. ; a part interest to each

[\*\*] Term: **14 Years**

[21] Appl. No.: **835,975**

[22] Filed: **Sep. 23, 1977**

1,730,816	10/1929	Grigg .....	220/22
2,217,455	10/1940	Price et al. ....	D9/182 X
2,833,074	5/1958	Jannes .....	229/22 X
3,173,596	3/1965	Aust et al. ....	229/22
3,357,543	12/1967	Taggart .....	206/45.11
3,397,771	8/1968	Fogle .....	229/27 X
4,121,752	10/1978	Ravotto et al. ....	229/27

*Primary Examiner*—Robert C. Spangler  
*Attorney, Agent, or Firm*—Daniel N. Calder

[57] **CLAIM**

The ornamental design for a carton, substantially as shown.

**DESCRIPTION**

FIG. 1 is a front perspective view of a carton showing our new design;  
 FIG. 2 is an end elevational view;  
 FIG. 3 is a bottom view;  
 FIG. 4 is a rear elevational view;  
 FIG. 5 is a perspective view of the carton in open position; and  
 FIG. 6 is a view similar to FIG. 5 showing the half not seen in FIG. 5.

[51] Int. Cl. .... **D9-03**

[52] U.S. Cl. .... **D9/418**

[58] Field of Search ..... 229/4 B, 4 E, 23 R, 229/27, 28 R, 44 R, 48 SB, 6 R, 22, 10, 15; D9/171, 182-184, 224, 230-236; 206/45.21-45.26, 45.11, 45.31

[56] **References Cited**  
**U.S. PATENT DOCUMENTS**

D. 210,739 4/1968 Hasselbach ..... D9/182

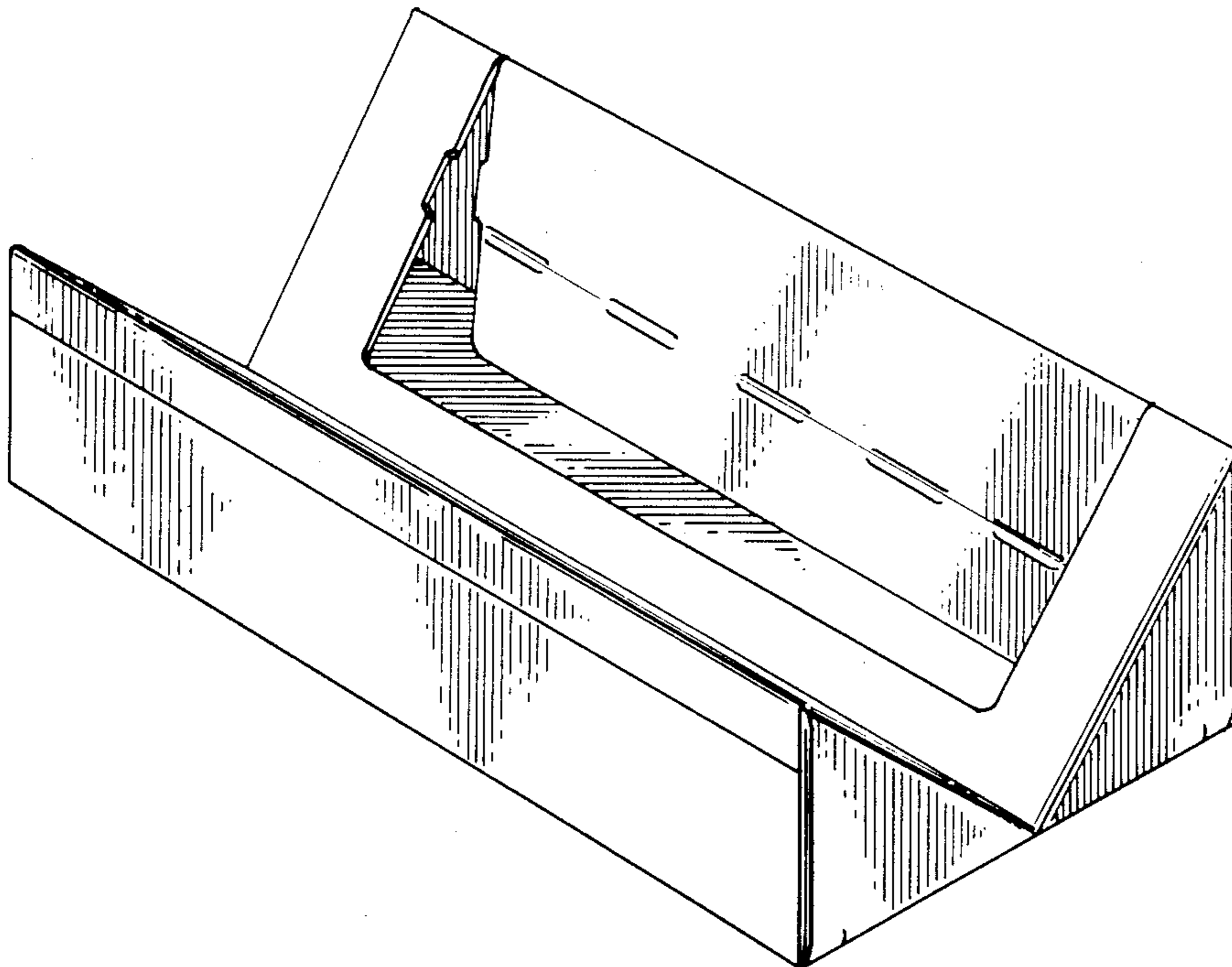


FIG. 1.

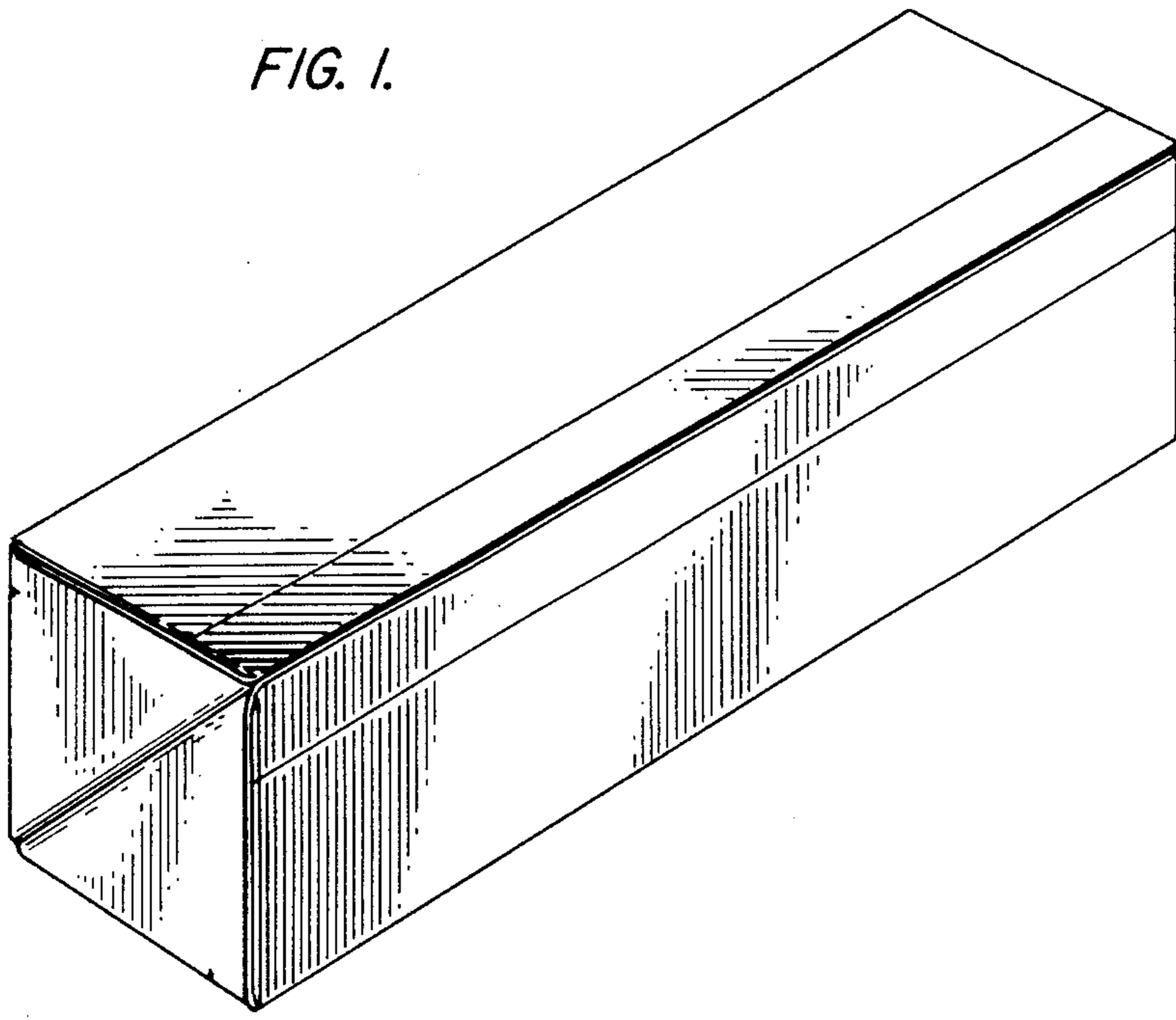


FIG. 2.

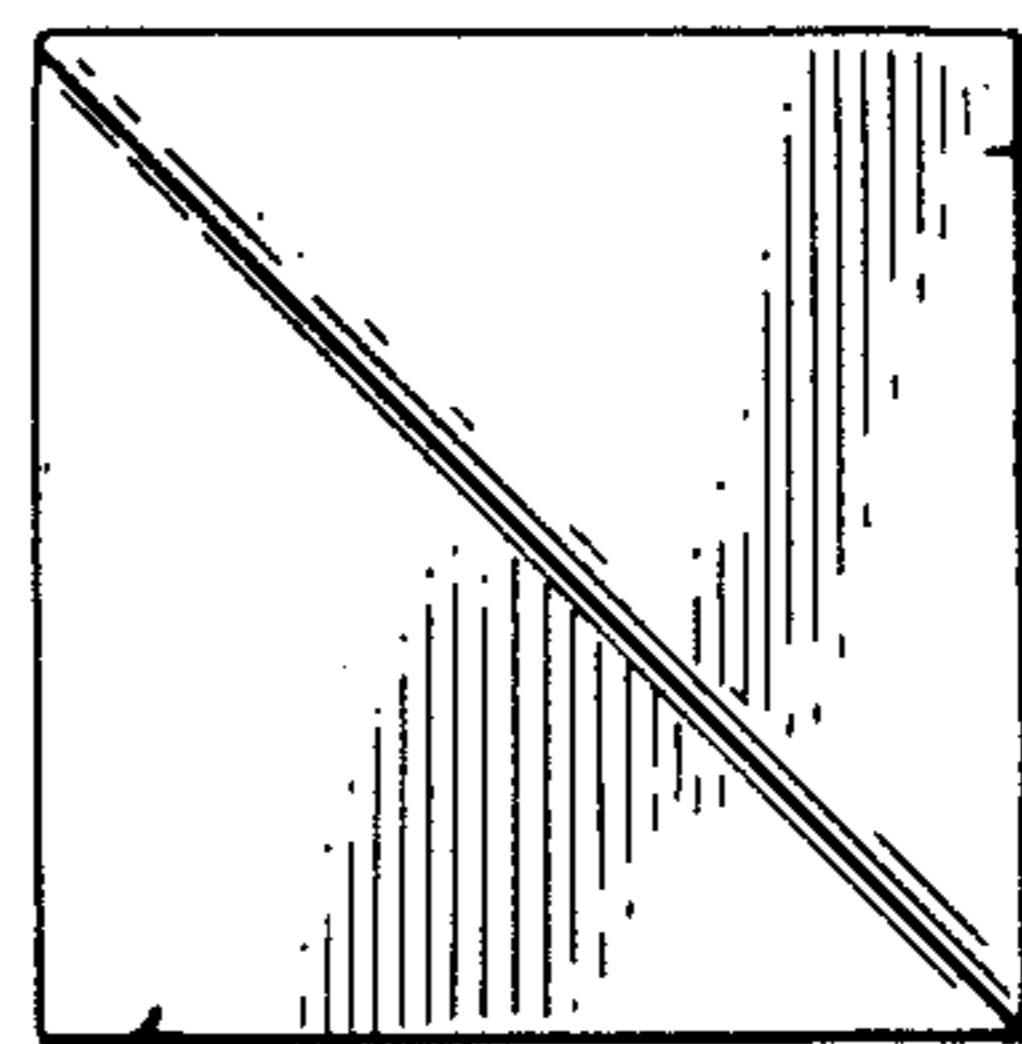


FIG. 3.

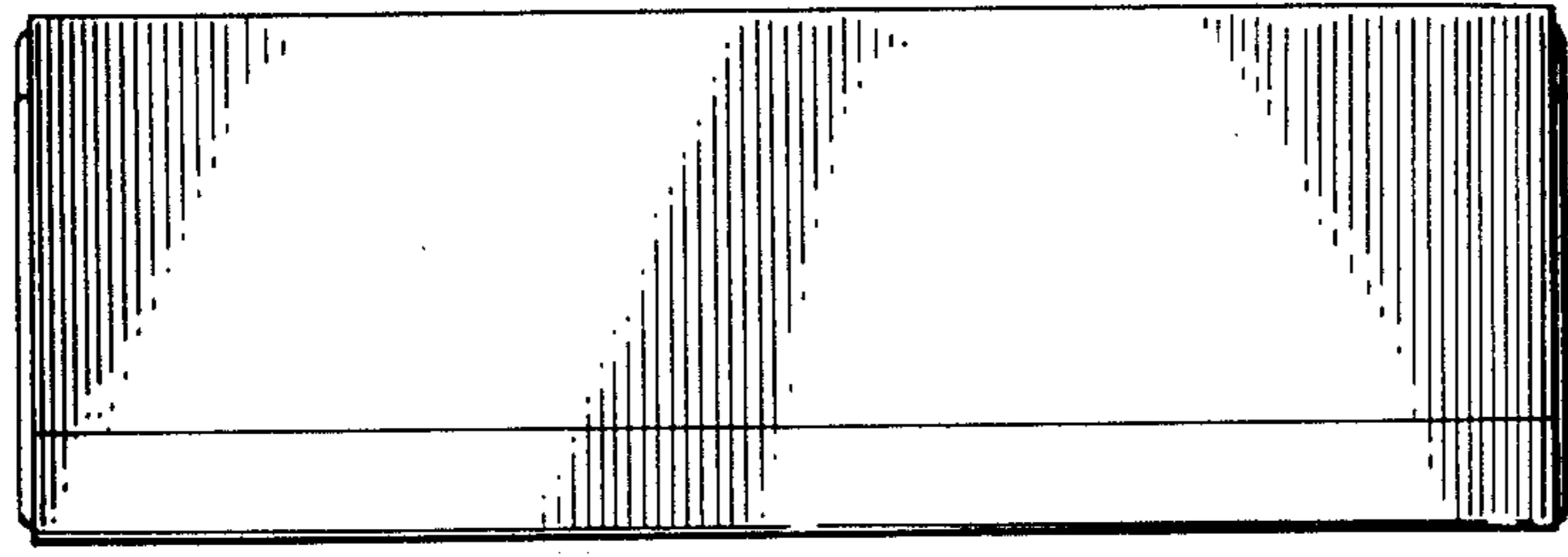


FIG. 4.

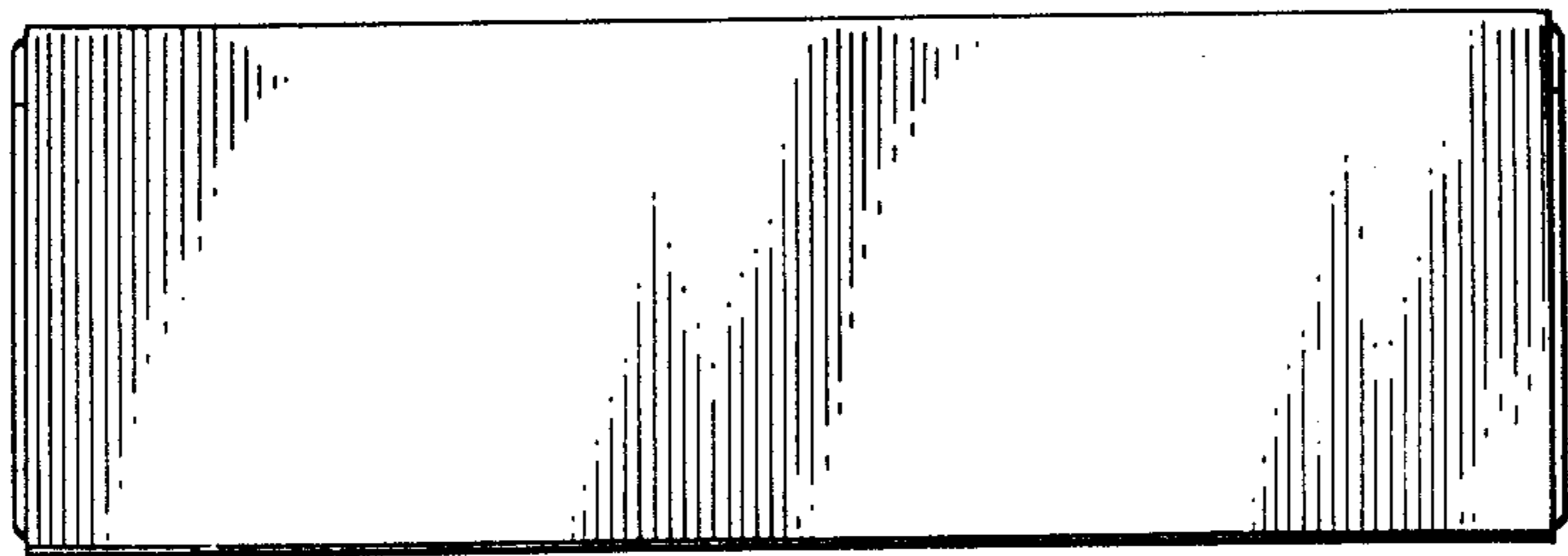


FIG. 5.

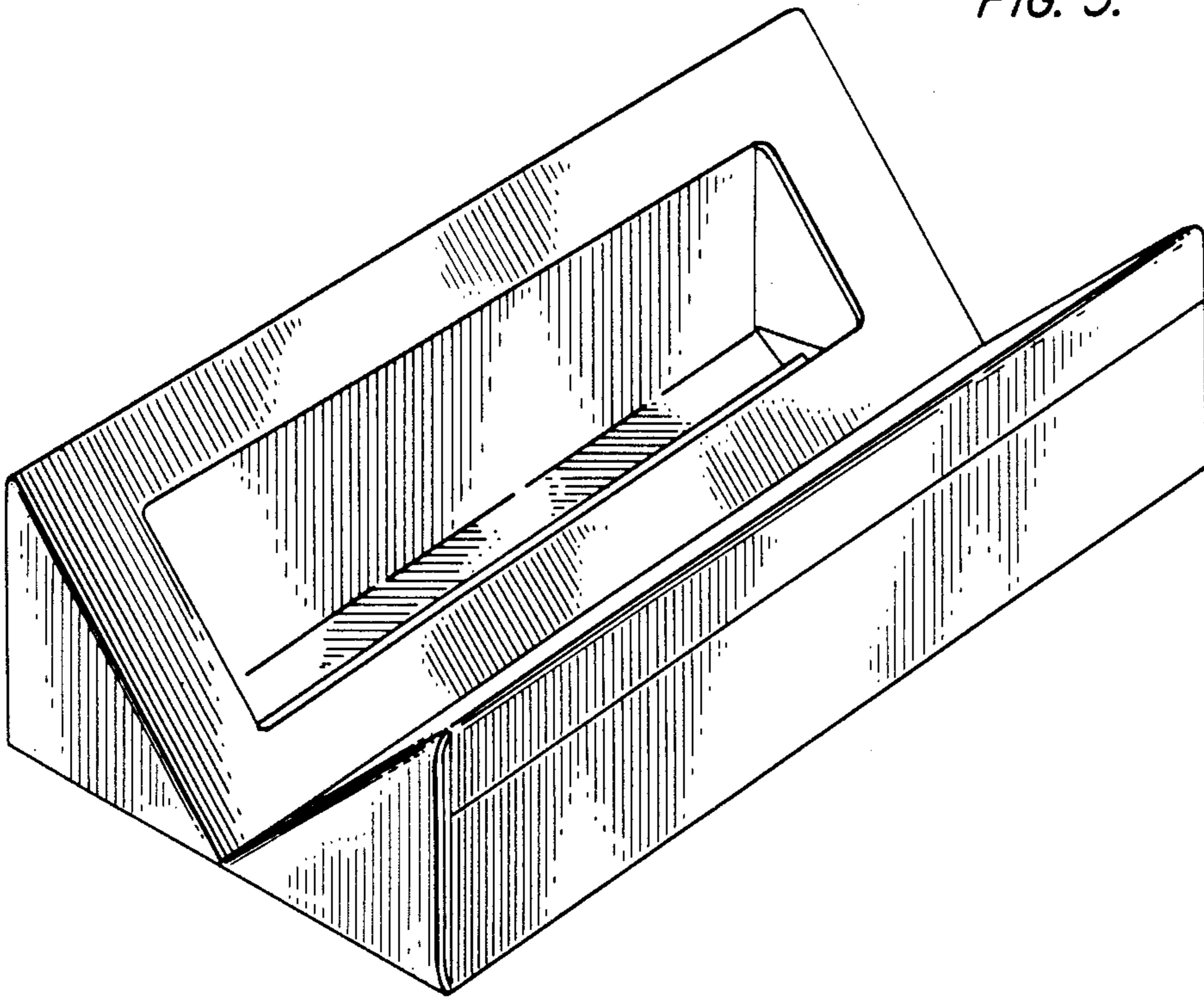


FIG. 6.

