

[54] COMBINED ADJUSTABLE CURTAIN ROD HOLDER AND ROD

[75] Inventor: Robert H. Lewis, Marysville, Ohio

[73] Assignee: Ray Lewis & Son, Inc., Marysville, Ohio

[**] Term: 14 Years

[21] Appl. No.: 79,023

[22] Filed: Sep. 26, 1979

[51] Int. Cl. D8-08

[52] U.S. Cl. D8/376

[58] Field of Search D8/376, 377; 211/105.1, 211/105.5, 105.6

[56] References Cited

U.S. PATENT DOCUMENTS

| | | | | |
|------------|--------|----------|-------|-----------|
| D. 230,702 | 3/1974 | Jetter | | D8/376 |
| 645,543 | 3/1900 | Birch | | 211/105.6 |
| 3,572,511 | 3/1971 | Triplett | | 211/105.6 |

FOREIGN PATENT DOCUMENTS

446632 3/1968 Switzerland 211/105.6

Primary Examiner—A. Hugo Word
Attorney, Agent, or Firm—Robert E. Stebens

[57] CLAIM

The ornamental design for a combined adjustable curtain rod holder and rod, substantially as shown and described.

DESCRIPTION

FIG. 1 is a side elevational view of a combined adjustable curtain rod holder and rod showing my new design, the rod portion shown to illustrate indeterminate length.

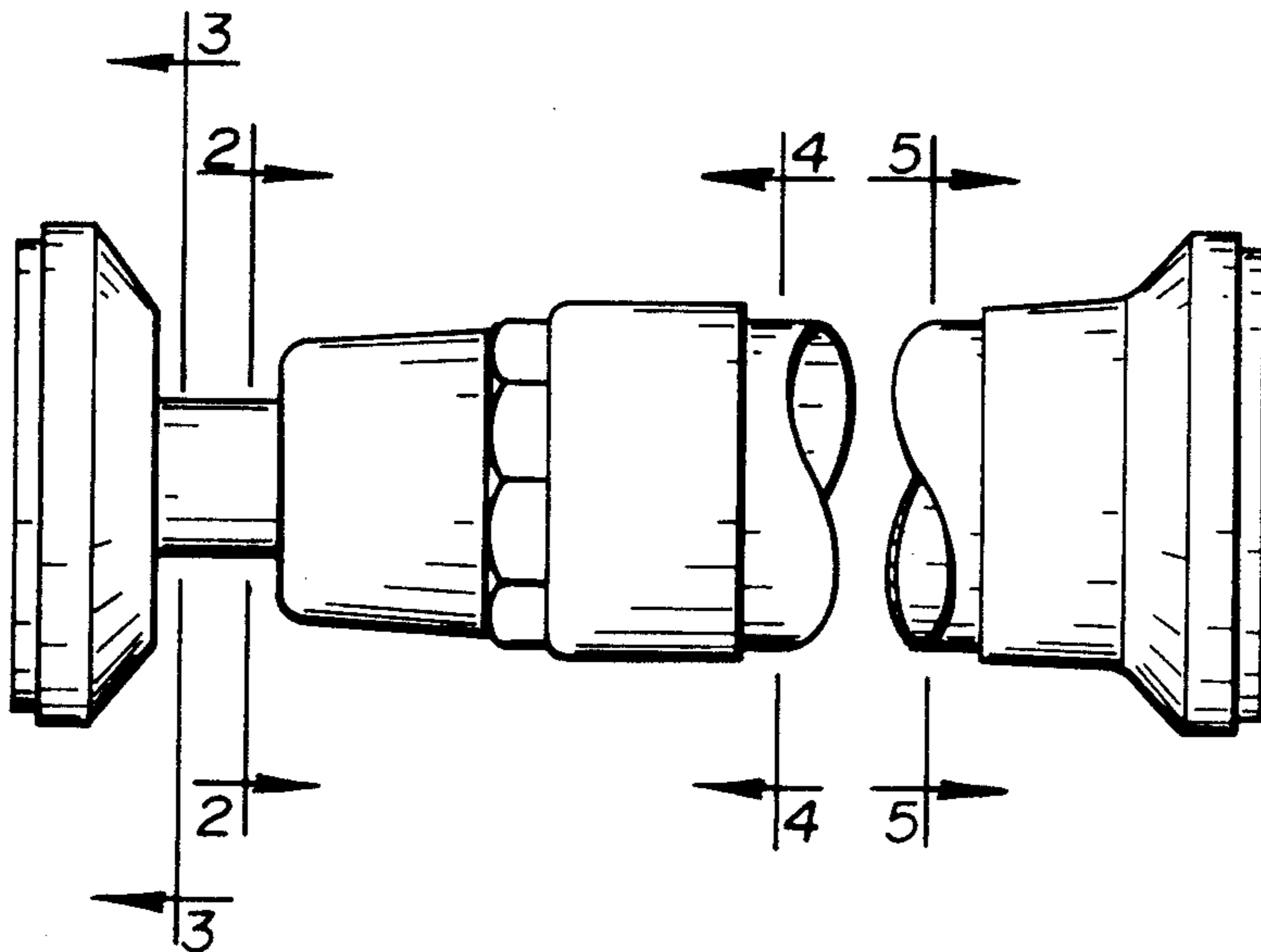
FIG. 2 is a vertical sectional view taken along line 2—2 of FIG. 1.

FIG. 3 is a vertical sectional view taken along line 3—3 of FIG. 1.

FIG. 4 is a vertical sectional view taken along line 4—4 of FIG. 1.

FIG. 5 is a vertical sectional view taken along line 5—5 of FIG. 1.

FIG. 6 is an end elevational view thereof, both ends being alike.



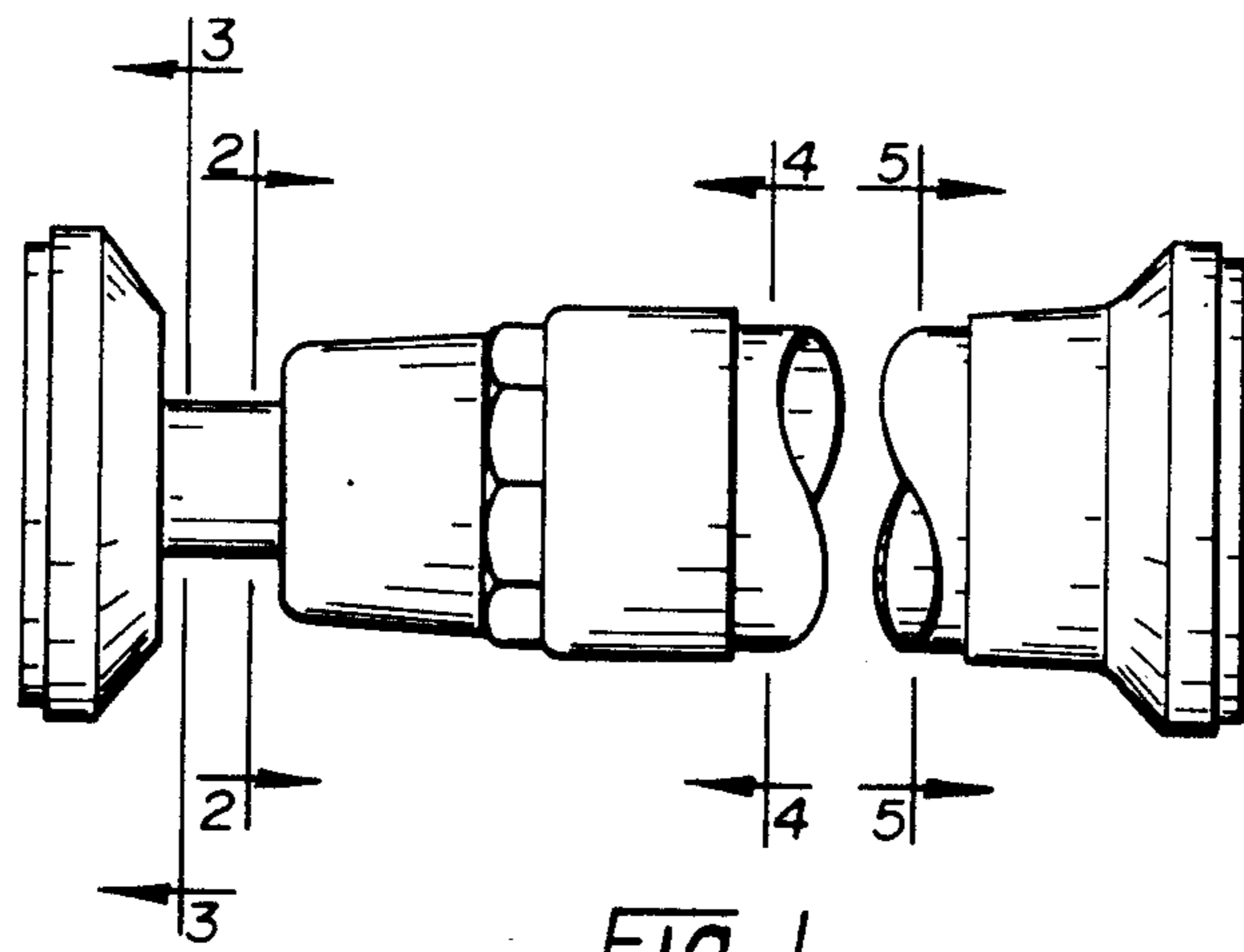


Fig. 1

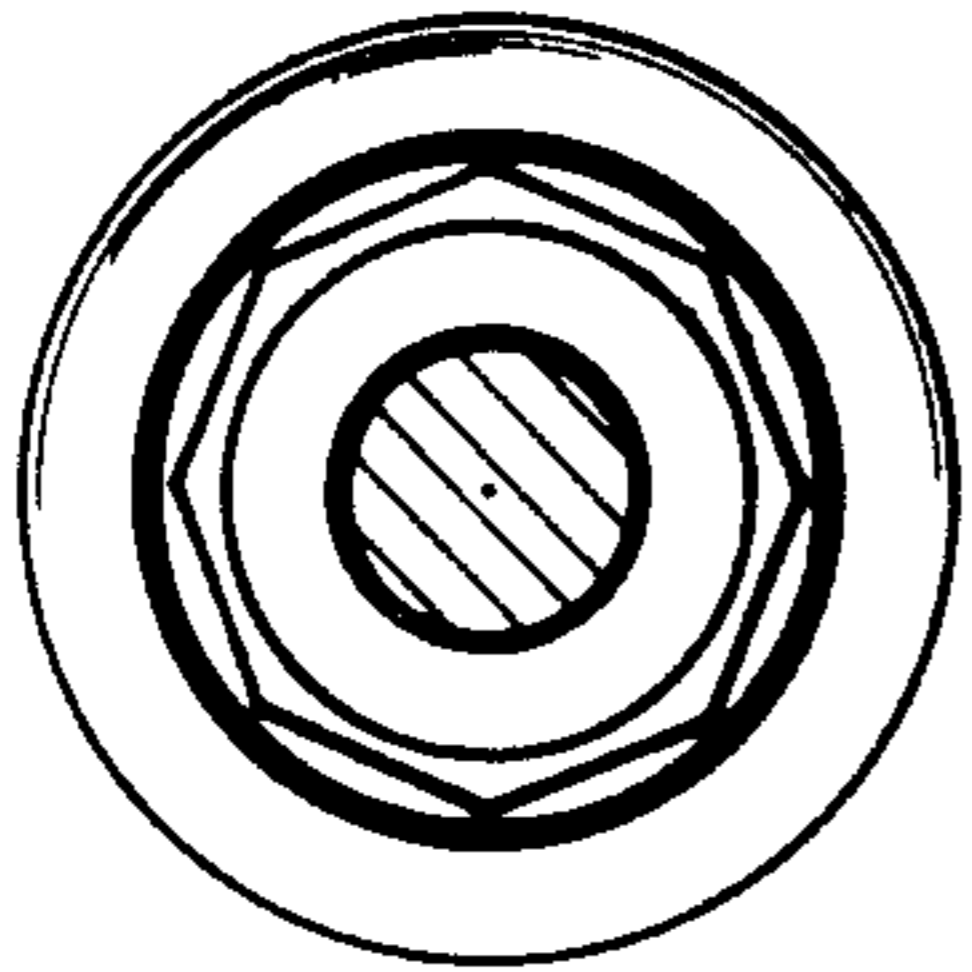


Fig. 2

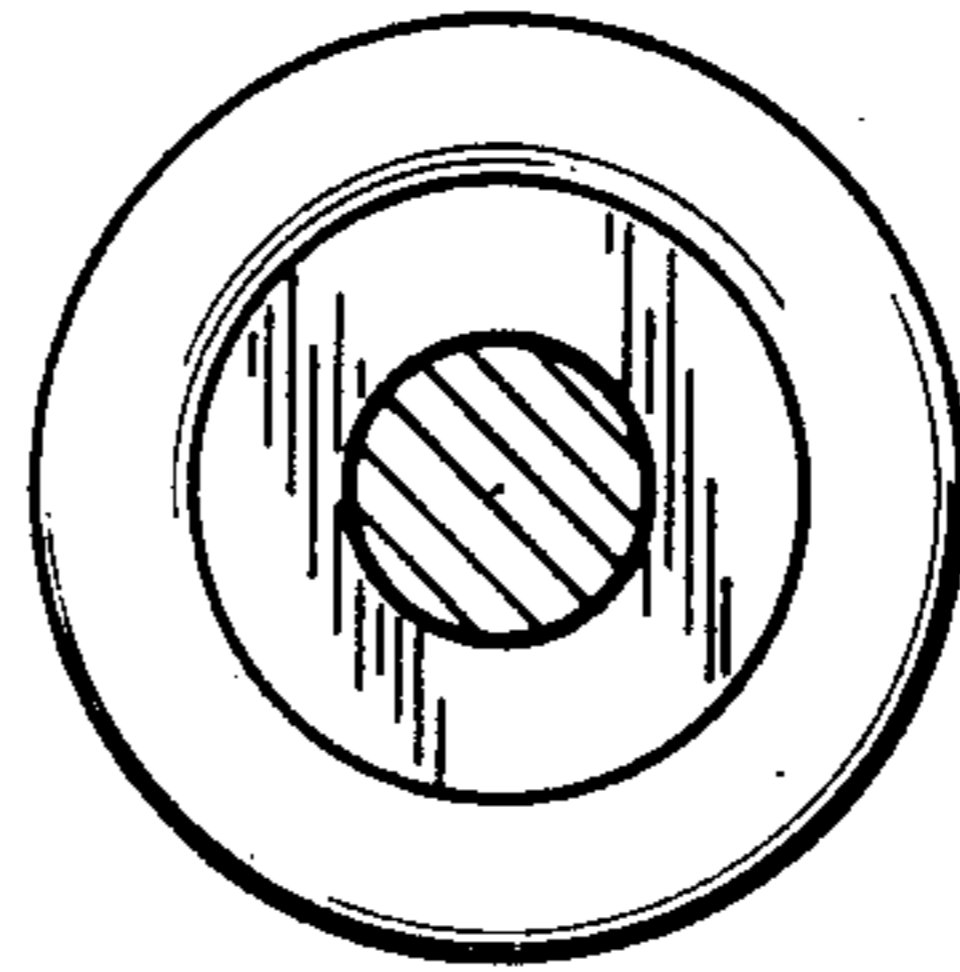


Fig. 3

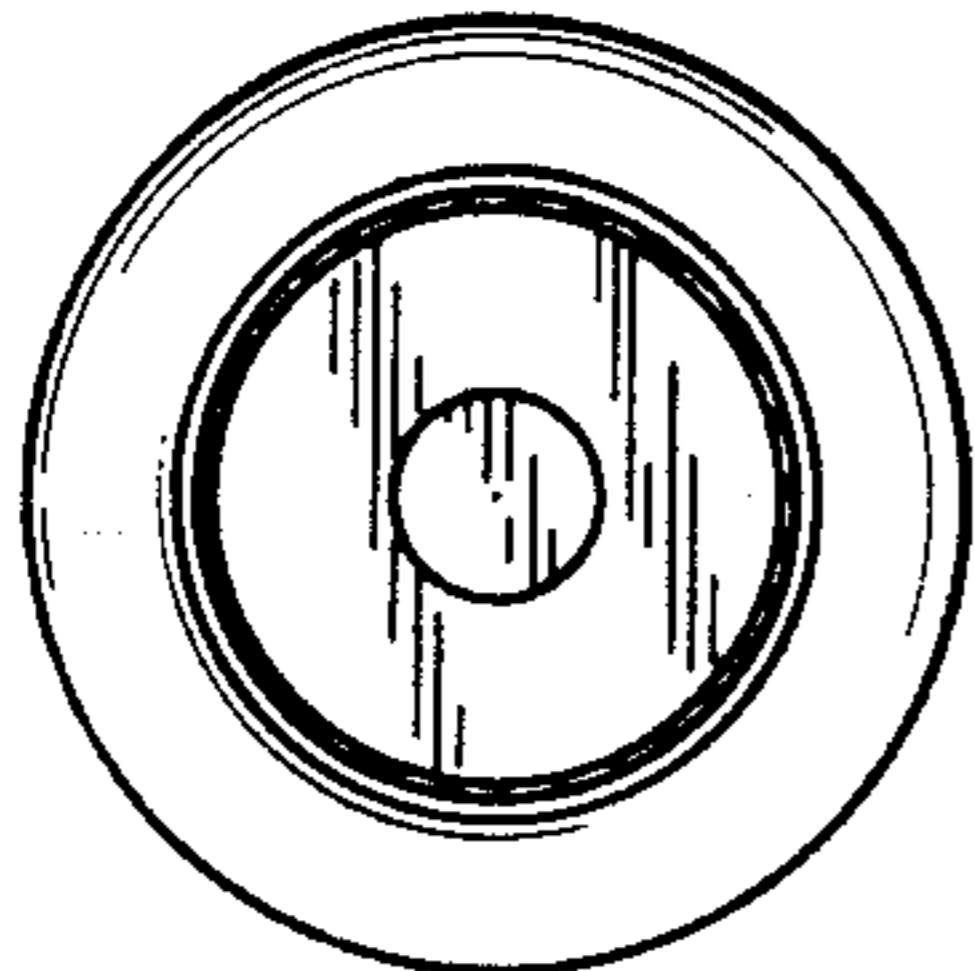


Fig. 4

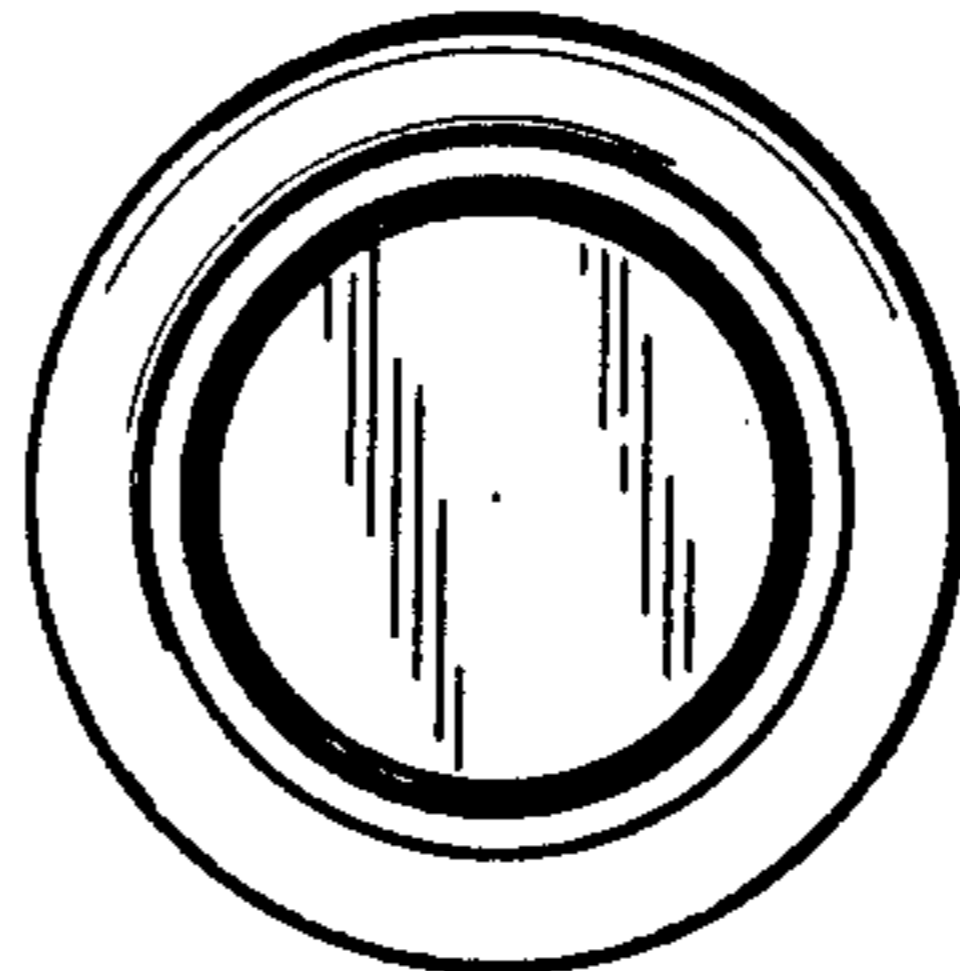


Fig. 5

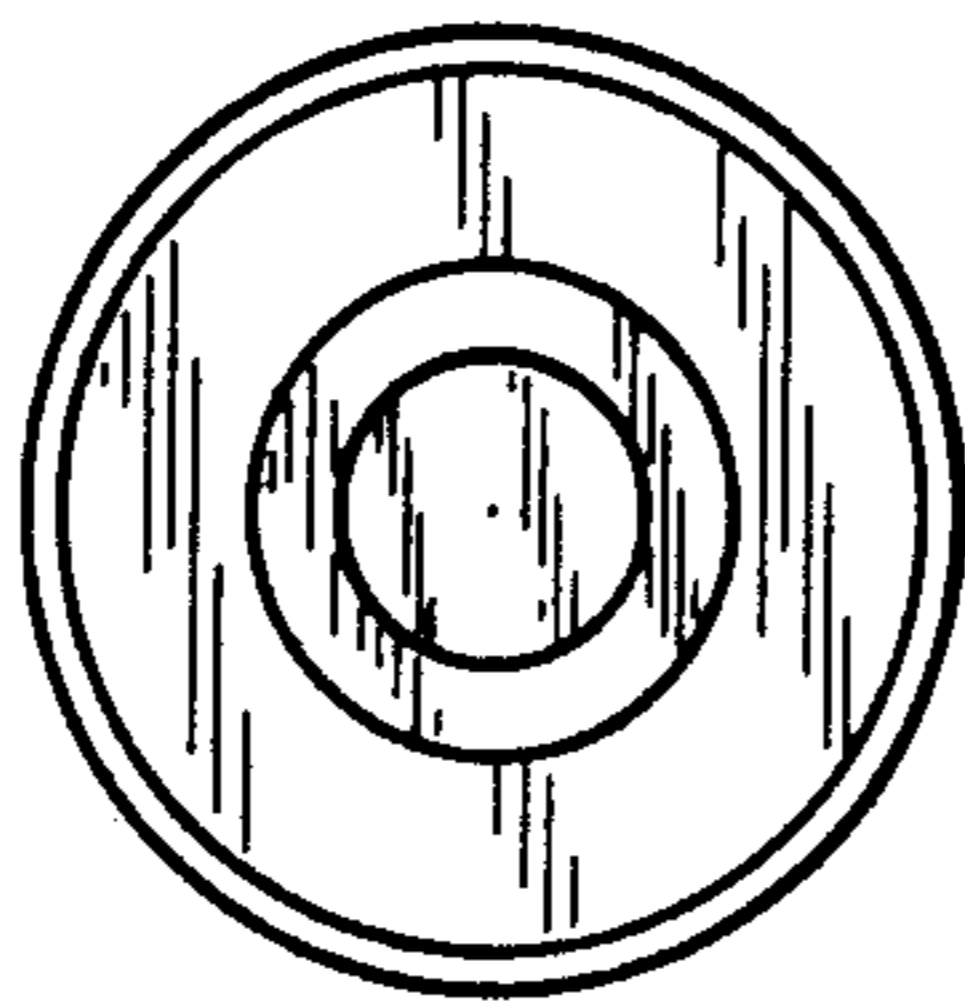


Fig. 6