

[54] BARBEQUE

[76] Inventor: **Thomas A. Birmingham**, 6497 W. 3860 South, Hunter, Utah 84120

[**] Term: **14 Years**

[21] Appl. No.: **51,381**

[22] Filed: **Jun. 25, 1979**

[51] Int. Cl. **D7-02**

[52] U.S. Cl. **D7/109**

[58] Field of Search **D7/107, 108, 109, 110; 126/25 R, 25 A, 25 AA, 25 B, 25 C, 29, 30, 9 R, 9 A, 9 B**

[56] **References Cited**

U.S. PATENT DOCUMENTS

D. 204,579 4/1966 Weatherly D7/108

Primary Examiner—Catherine E. Kemper

[57] **CLAIM**

The ornamental design for a barbeque, as shown and described.

DESCRIPTION

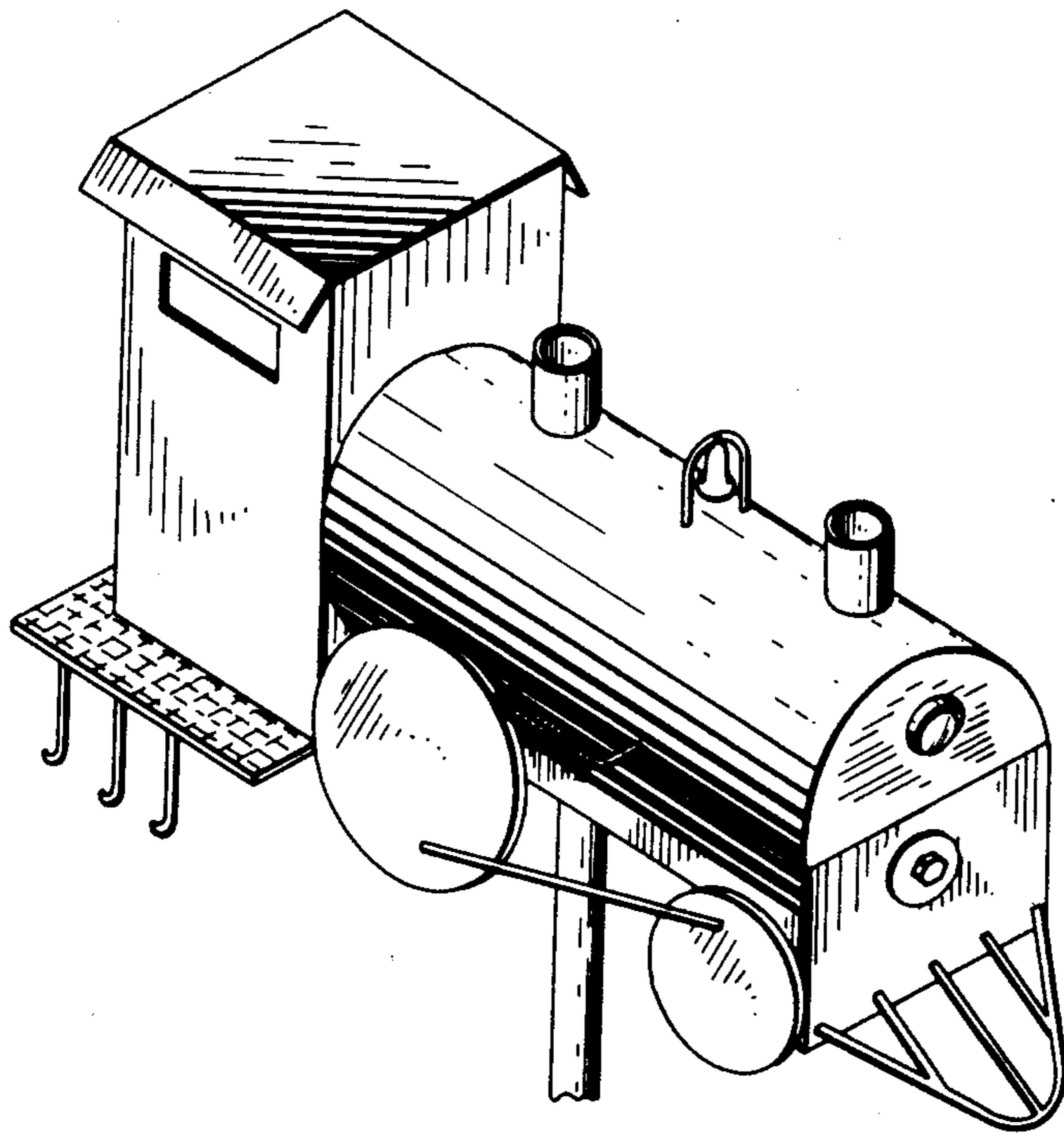
FIG. 1 is an isometric view of a barbeque showing my new design.

FIG. 2 is a rear elevational view thereof.

FIG. 3 is a front elevational view thereof.

FIG. 4 is a top plan view thereof.

The support post has been shown fragmentarily in FIGS. 1-3 to indicate indeterminate length.



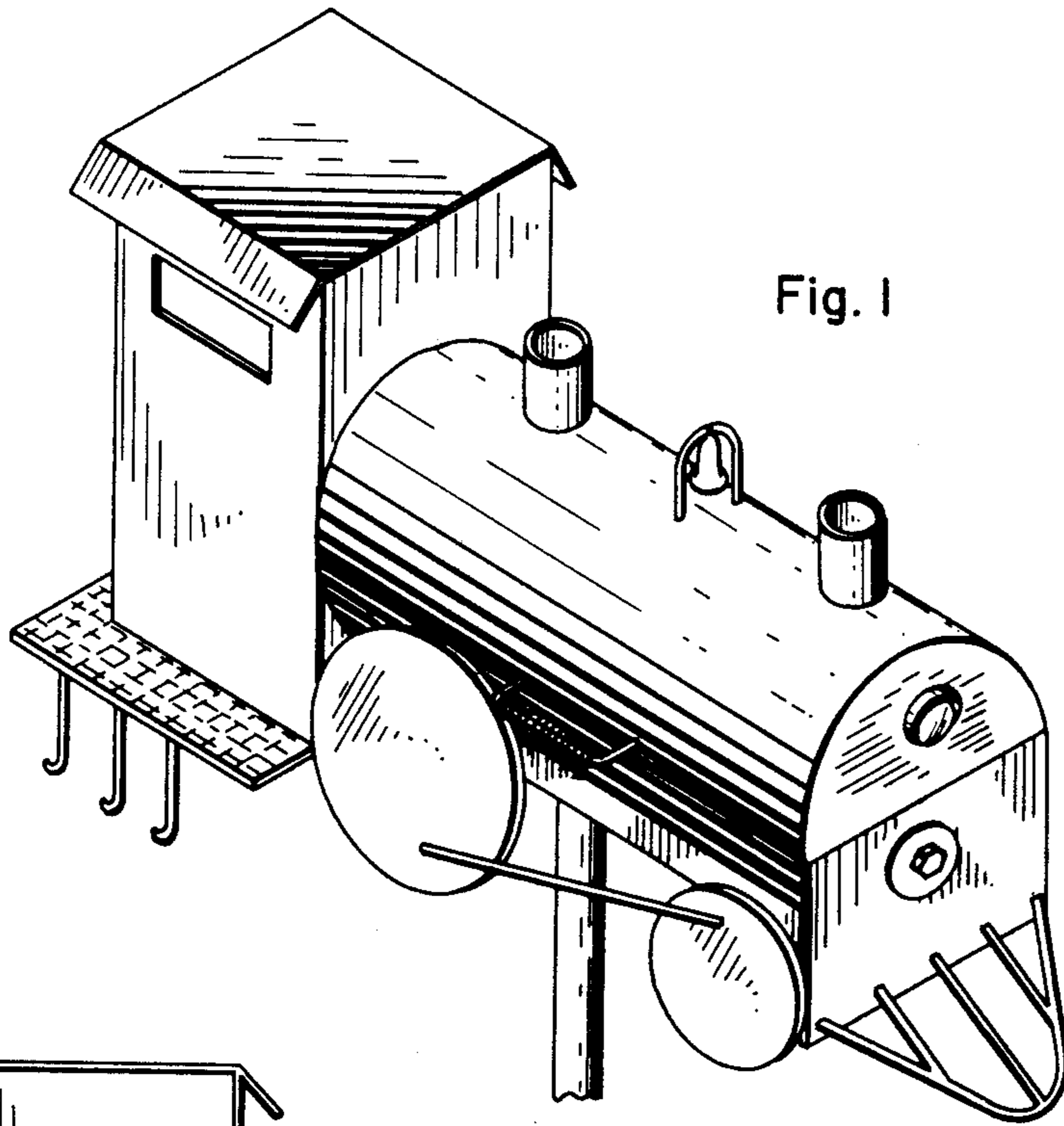


Fig. 1

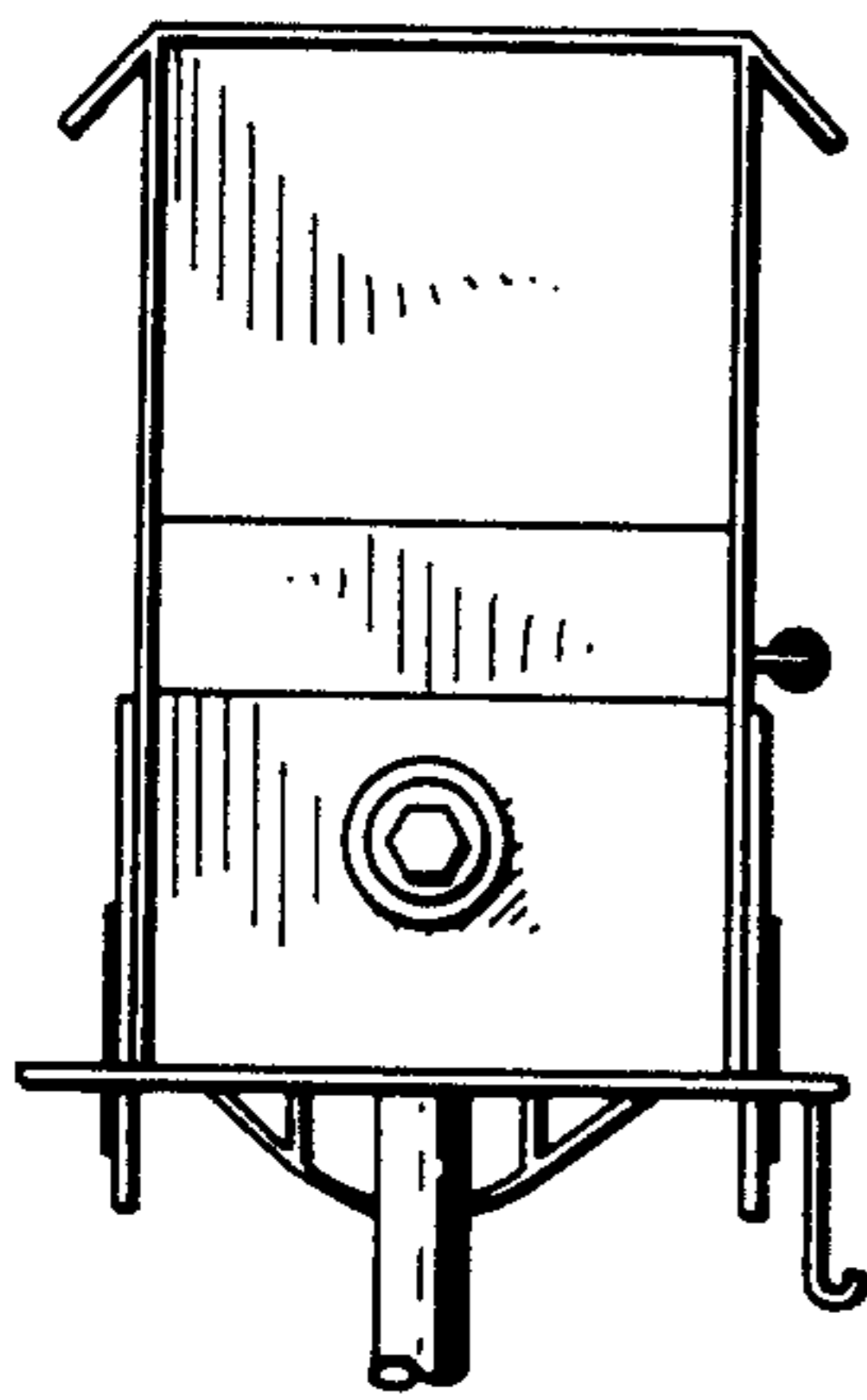


Fig. 2

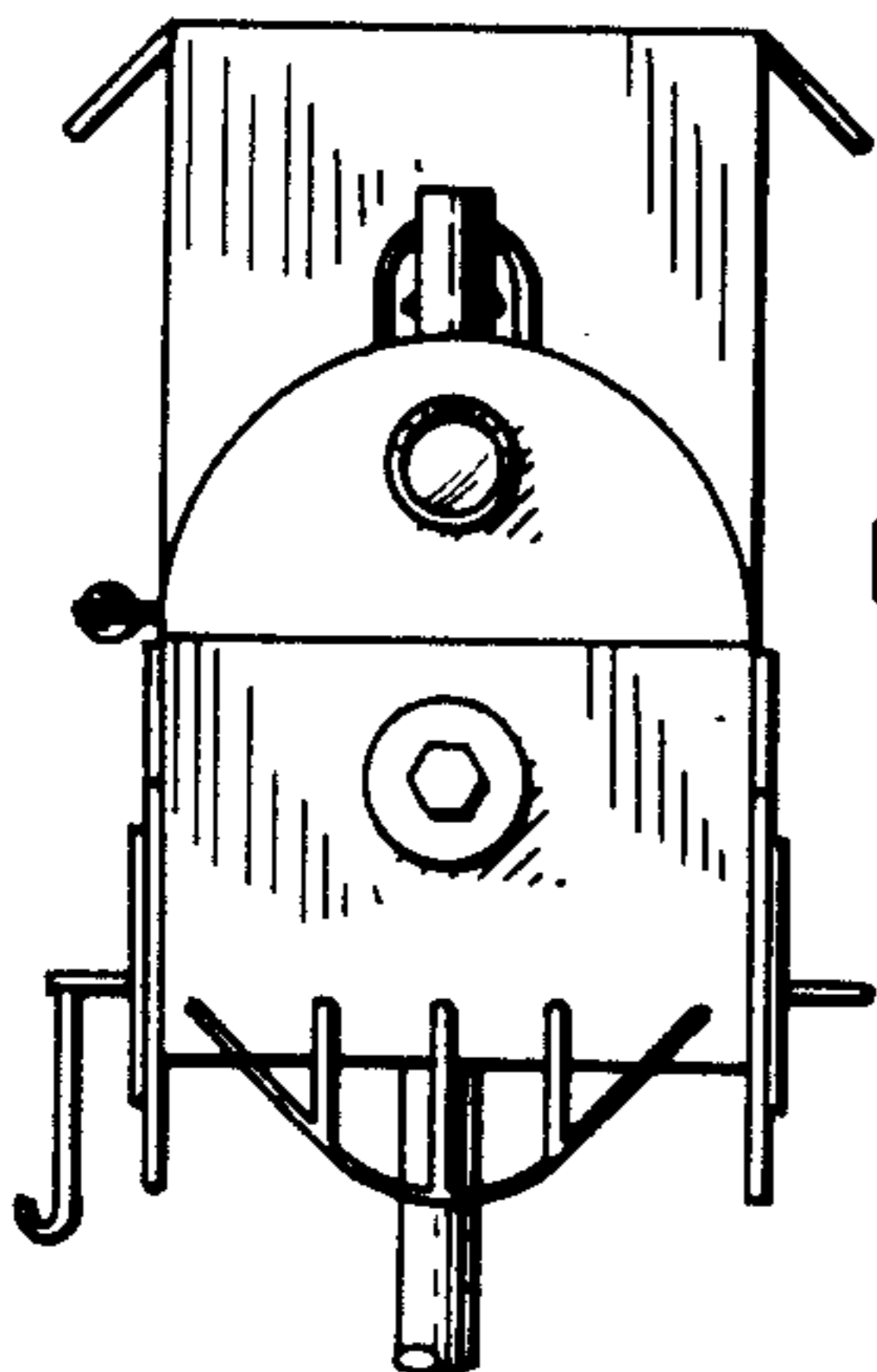


Fig. 3

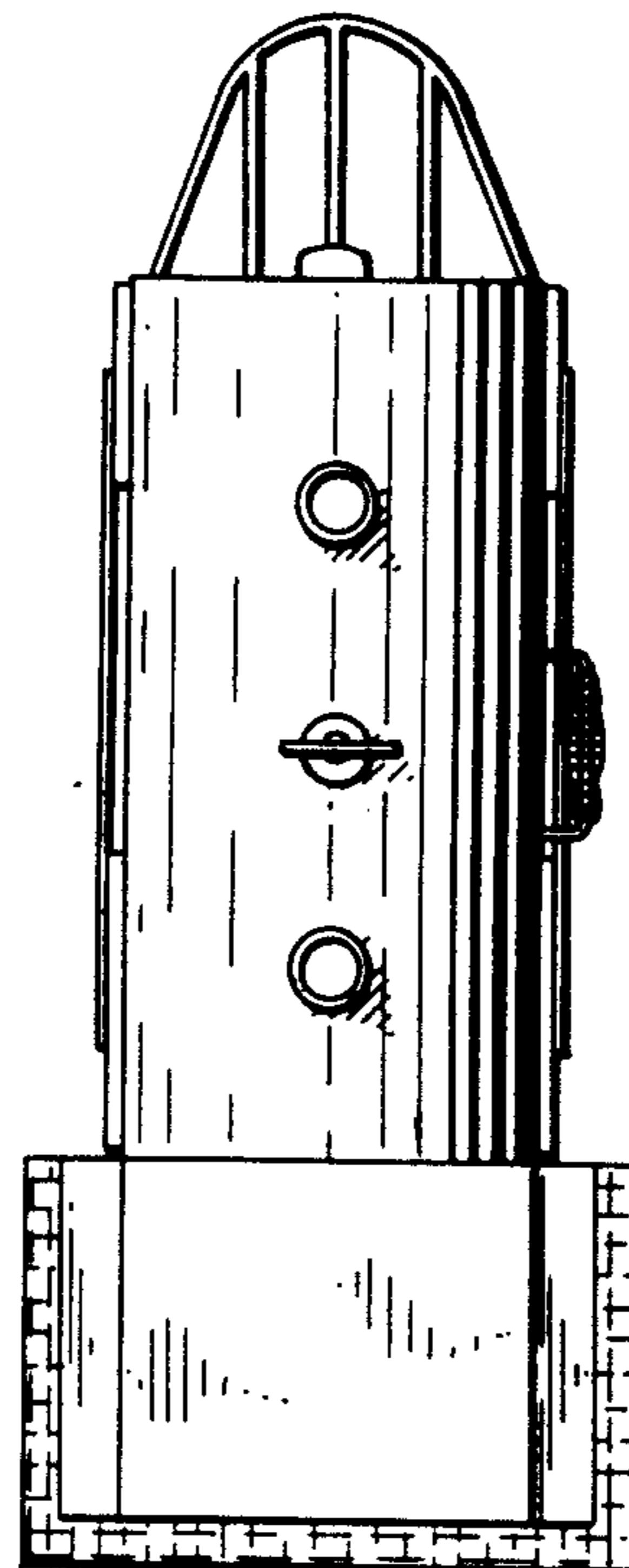


Fig. 4