

[54] COMBINED WINE BUCKET AND TABLE ATTACHMENT BRACKET

[76] Inventor: **Ralph A. Dark**, 27619 Summerfield, San Juan Capistrano, Calif. 92675

[**] Term: **14 Years**

[21] Appl. No.: **67,373**

[22] Filed: **Aug. 17, 1979**

Related U.S. Application Data

[63] Continuation-in-part of Ser. No. 932,573, Aug. 10, 1978.

[51] Int. Cl. **D7-06**

[52] U.S. Cl. **D7/70; D6/93; D6/113; D6/137**

[58] Field of Search **D7/9, 6, 3, 130, 70, D7/45, 15; 215/100.5; D9/216, 218, 220; 294/27 H; 220/85 H, 412, 410; D6/137; 248/311.1 R**

[56] **References Cited**

U.S. PATENT DOCUMENTS

D. 19,162	6/1889	King	D7/6
D. 98,315	1/1936	Guild	D7/70
D. 203,055	11/1965	Robinson	D7/70
1,073,013	9/1913	Andres	431/292
1,108,692	8/1914	Burd	211/88
1,999,878	4/1935	La Bombard	D7/9 X
2,668,744	2/1954	Cockrell	108/45 X
2,979,301	4/1961	Reveal	D7/9 X
3,456,283	7/1969	Glenn	D7/85 X
4,047,329	9/1977	Holt	220/306 X

Primary Examiner—Winifred E. Herrmann
Attorney, Agent, or Firm—Knobbe, Martens, Olson, Hubbard & Bear

[57] **CLAIM**

The ornamental design for a combined wine bucket and table attachment bracket, as shown and described.

DESCRIPTION

FIG. 1 is a top rear perspective view of a combined wine bucket and table attachment bracket showing my new design;
FIG. 2 is a left elevational view thereof;
FIG. 3 is a rear elevational view thereof;
FIG. 4 is a top plan view thereof; and
FIG. 5 is a bottom plan view thereof.

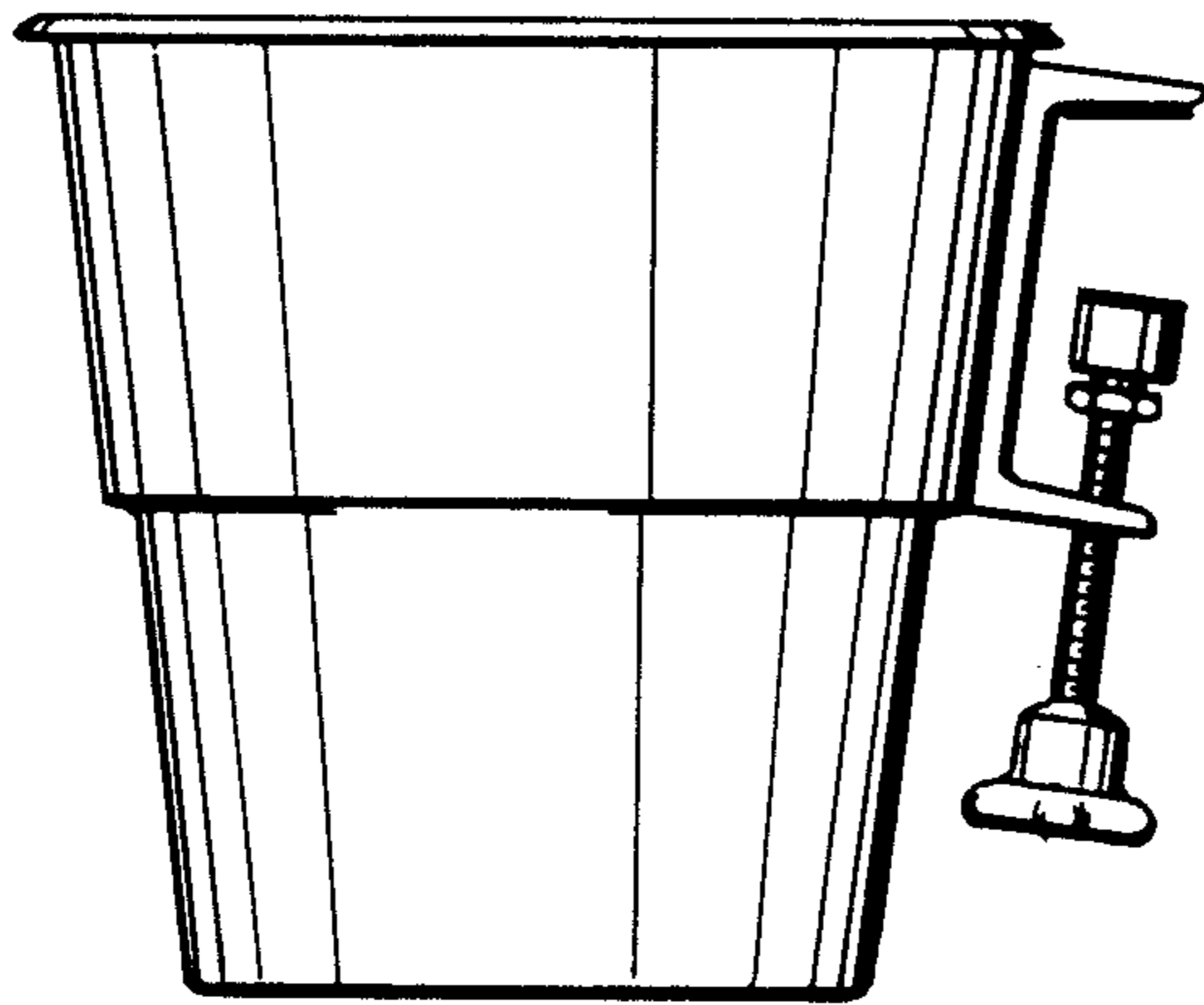


Fig. 1

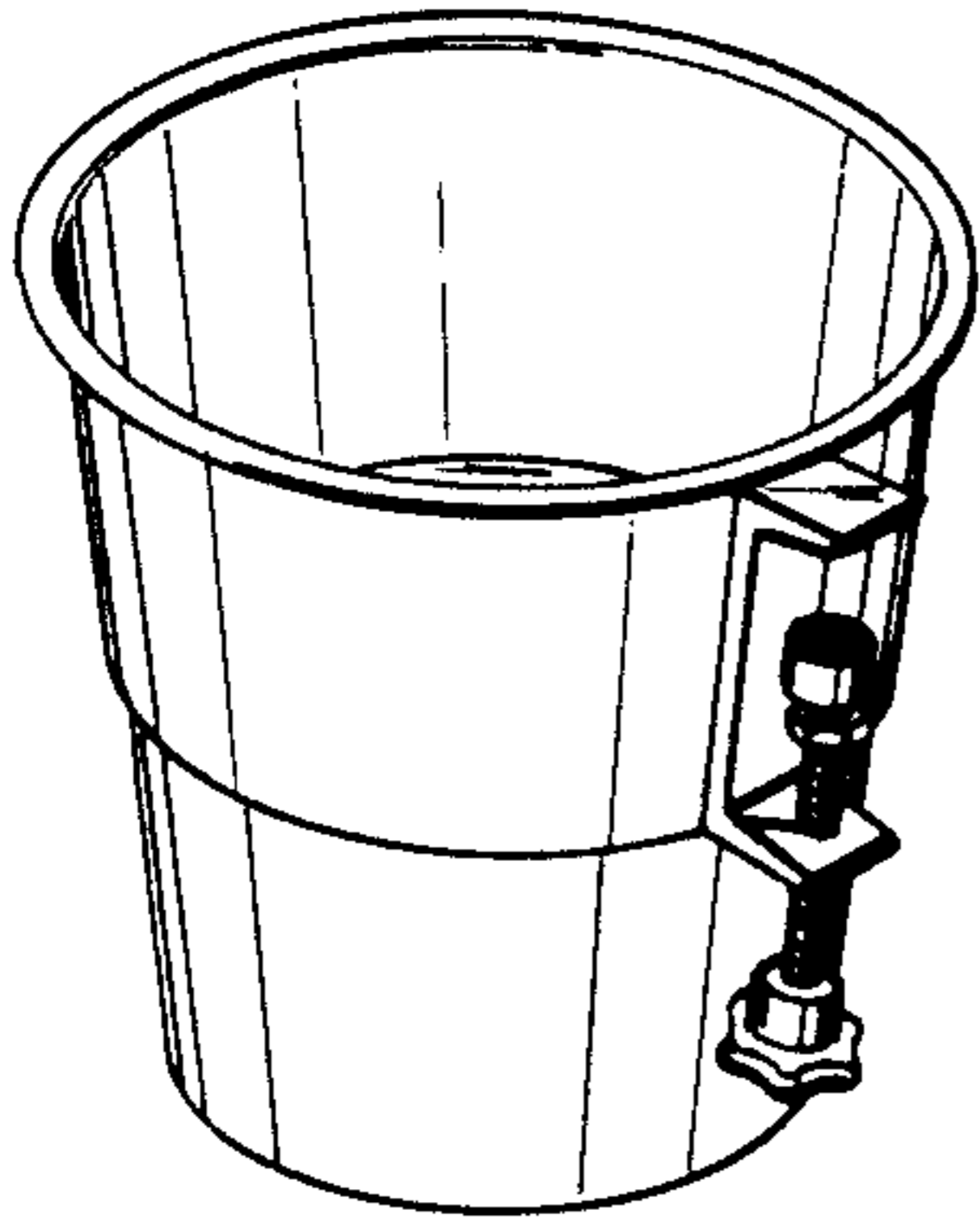


Fig. 4

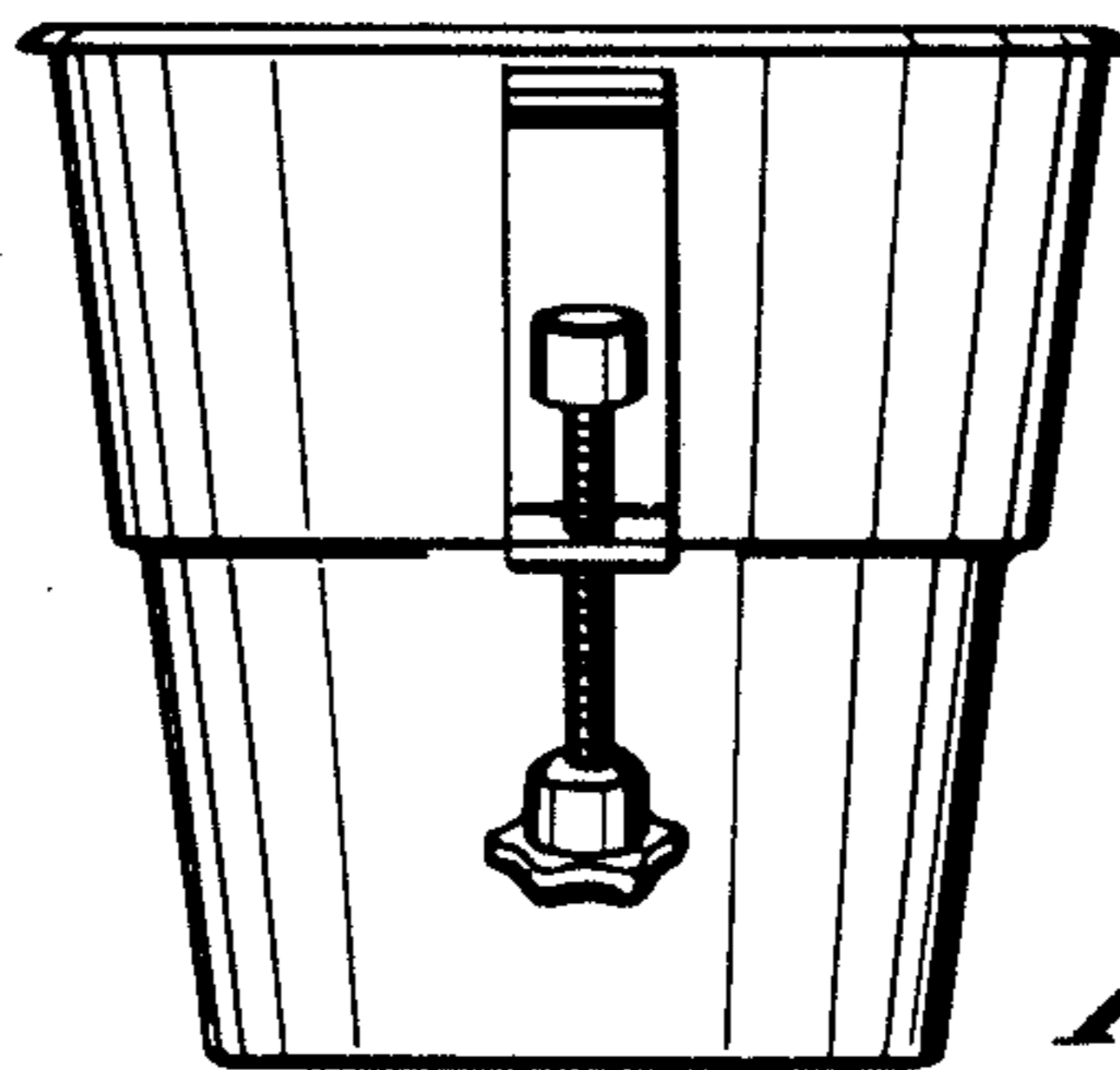
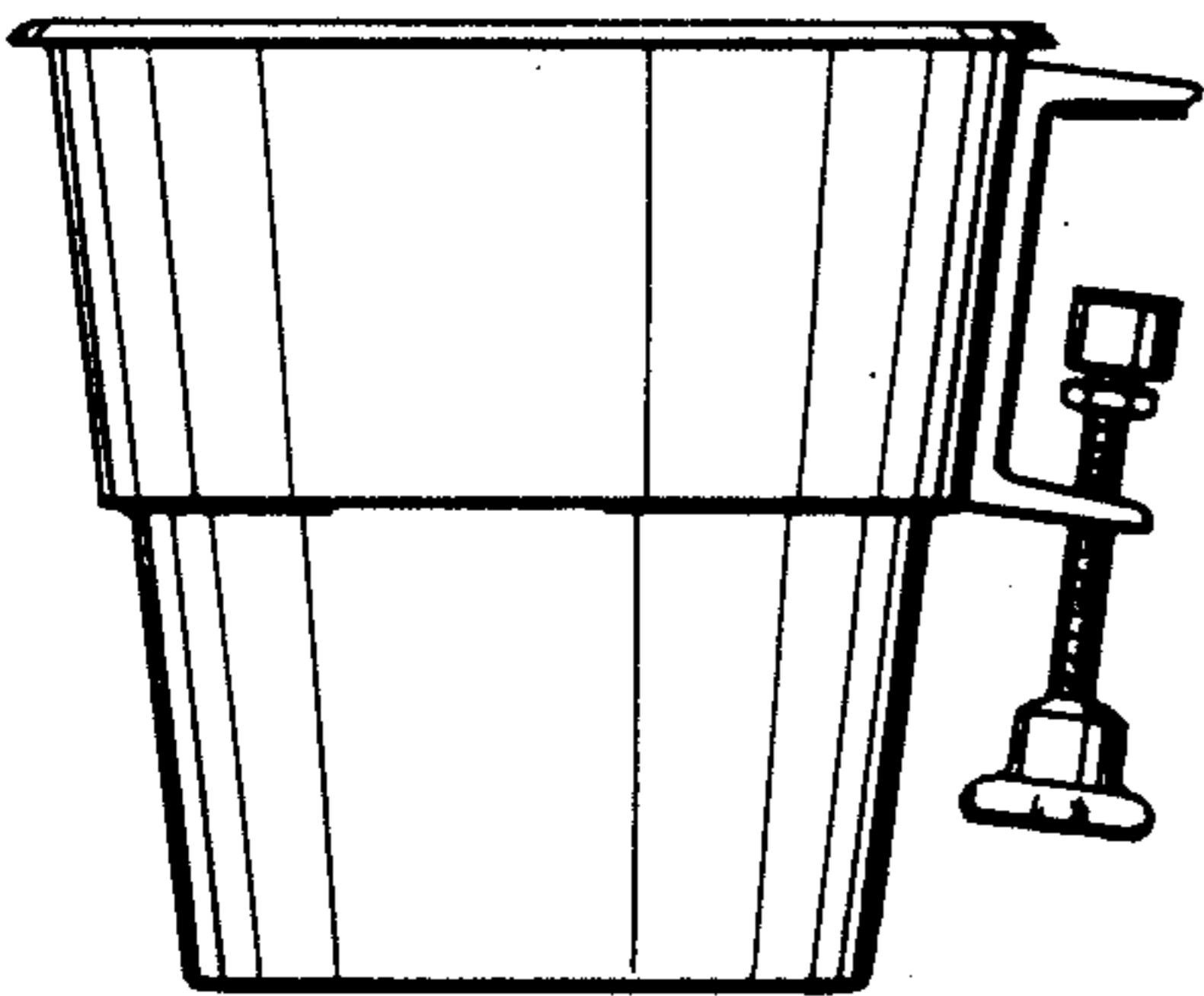
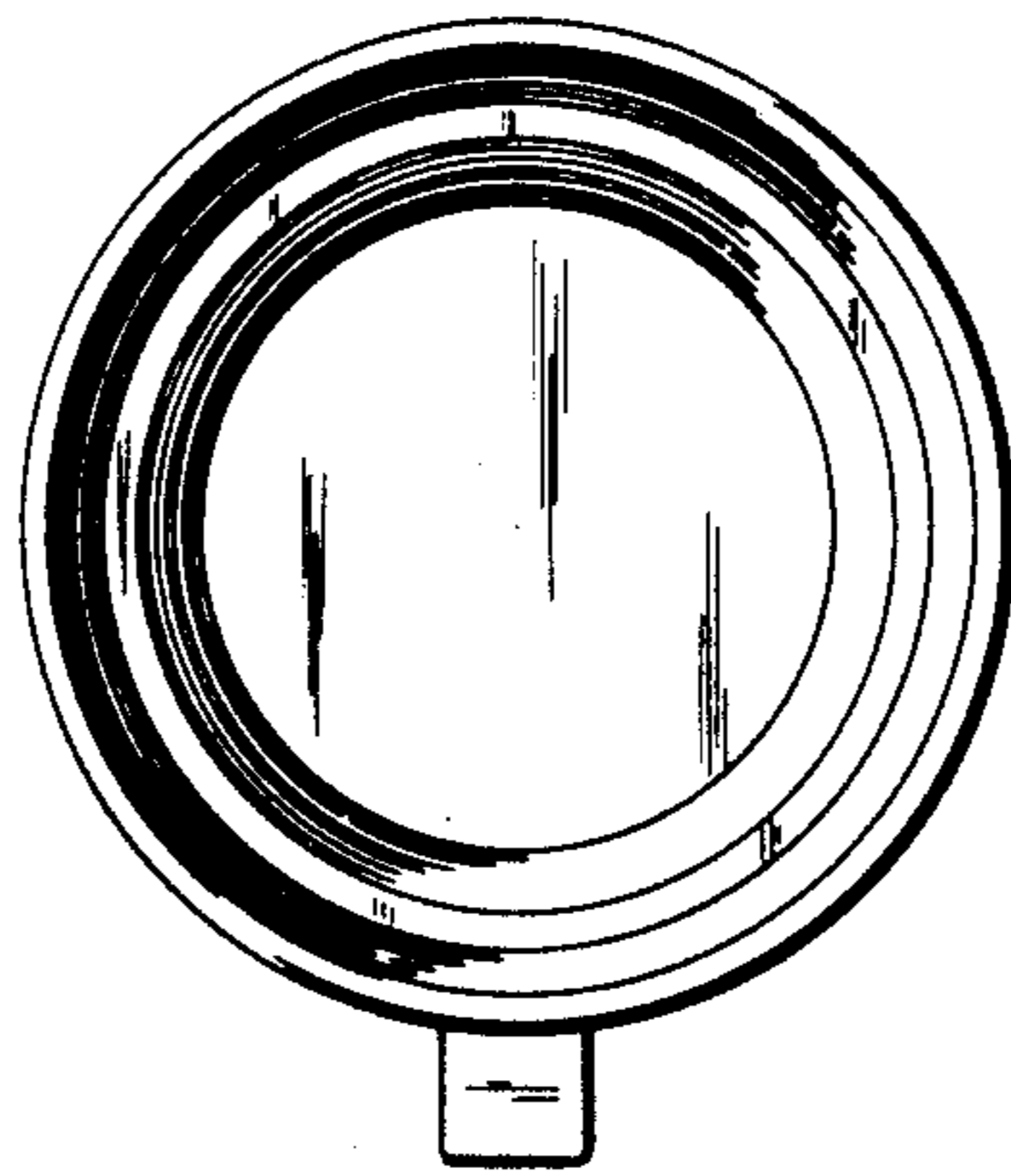


Fig. 3

Fig. 2

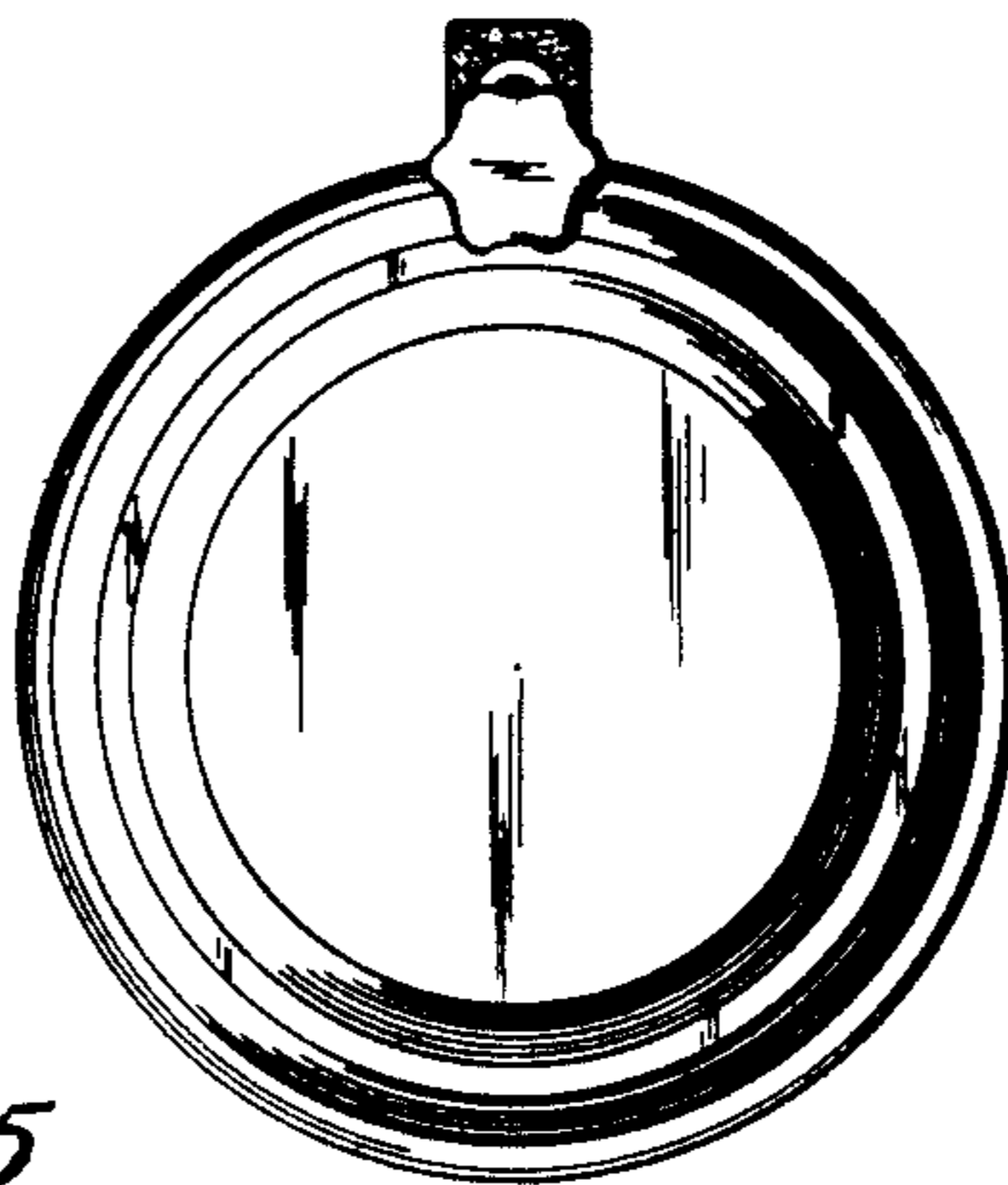


Fig. 5