

[54] **COMBINED WINE BUCKET AND TABLE ATTACHMENT BRACKET**

[76] Inventor: **Ralph A. Dark**, 27619 Summerfield, San Juan Capistrano, Calif. 92675

[**] Term: **14 Years**

[21] Appl. No.: **932,753**

[22] Filed: **Aug. 10, 1978**

[51] Int. Cl. **D07-06; D07-07**

[52] U.S. Cl. **D7/70; D6/93; D6/113; D6/130; D6/137**

[58] Field of Search **D7/70, 6, 45, 130, 76, D7/77, 78, 3, 9, 10, 6, 15; 220/85 H, 412, 410; D9/220, 216, 218; D6/93, 137, 130, 113; 294/27 H; 248/311.1 R; 215/100.5**

[56] **References Cited**

U.S. PATENT DOCUMENTS

D. 19,162	6/1889	King	D7/6
D. 98,315	1/1936	Guild	D7/70
D. 203,055	11/1965	Robinson	D7/70
1,999,878	4/1935	La Bombard	D7/9 X
2,668,744	2/1954	Cockrell	108/45 X
2,979,301	4/1961	Reveal	D7/9 X
3,456,283	7/1969	Glenn	D7/85 X
4,047,329	9/1977	Holt	220/306 X

Primary Examiner—Winifred E. Herrmann
Attorney, Agent, or Firm—Knobbe, Martens, Olson, Hubbard & Bear

[57] **CLAIM**

The ornamental design for a combined wine bucket and table attachment bracket, as shown and discribed.

DESCRIPTION

FIG. 1 is a top front perspective view of a combined wine bucket and table attachment bracket showing the left side of my new design;

FIG. 2 is a perspective view showing the rear, top and left side thereof;

FIG. 3 is a right elevational view thereof as installed on a table;

FIG. 4 is a right elevational view thereof showing the wine bucket disengaged from the table attachment;

FIG. 5 is a front elevational view thereof;

FIG. 6 is a rear elevational view thereof taken along lines 6-6 of FIG. 4;

FIG. 7 is a top elevational view thereof with the wine bucket disengaged from the table attachment;

FIG. 8 is a bottom view thereof with the wine bucket disengaged from the table attachment; and

FIG. 9 is a left elevational view thereof with the wine bucket disengaged from the table attachment.

The broken line showing of a fragment of a table top in FIGS. 1 and 3 is for illustrative purposes only.

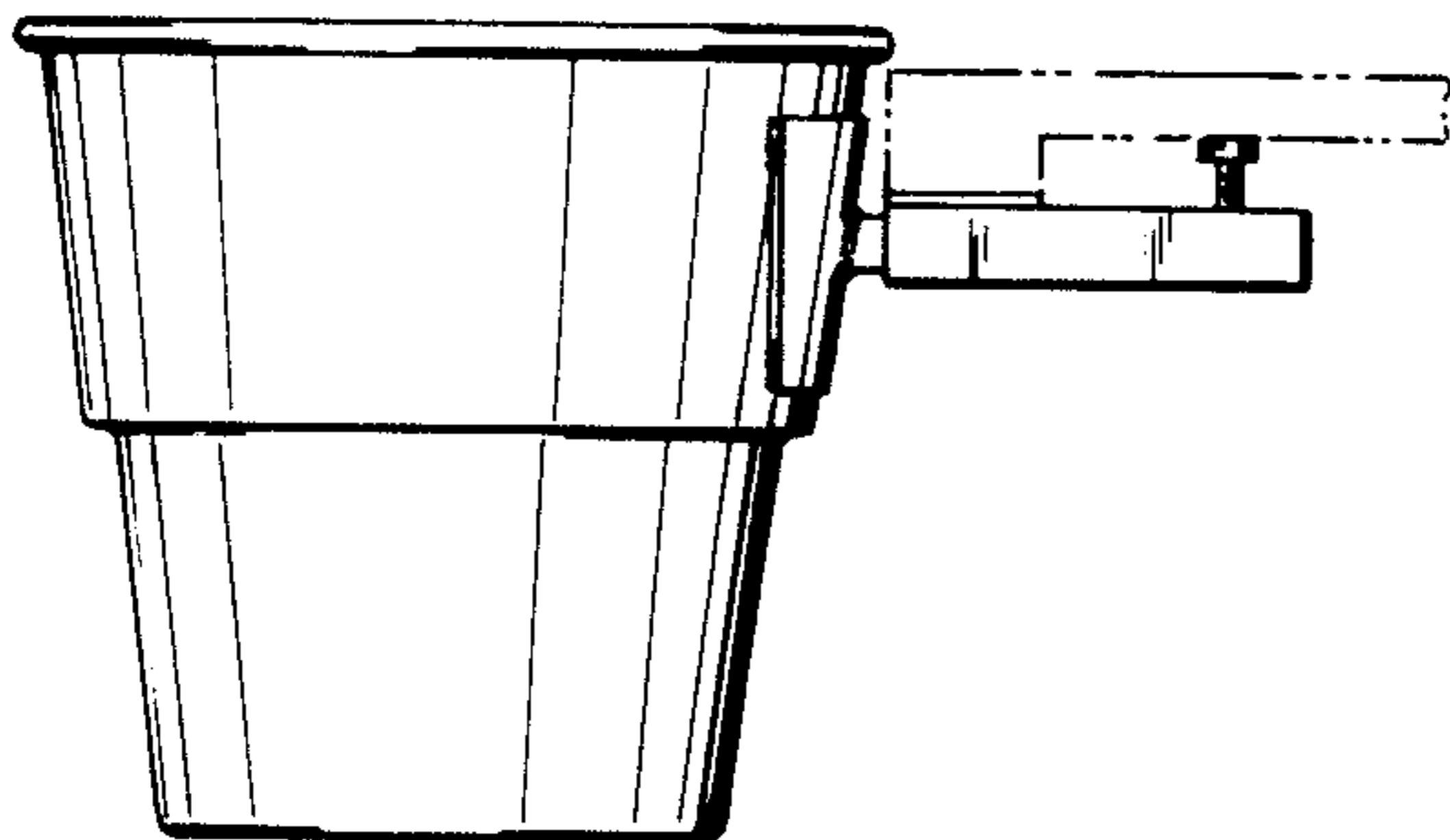
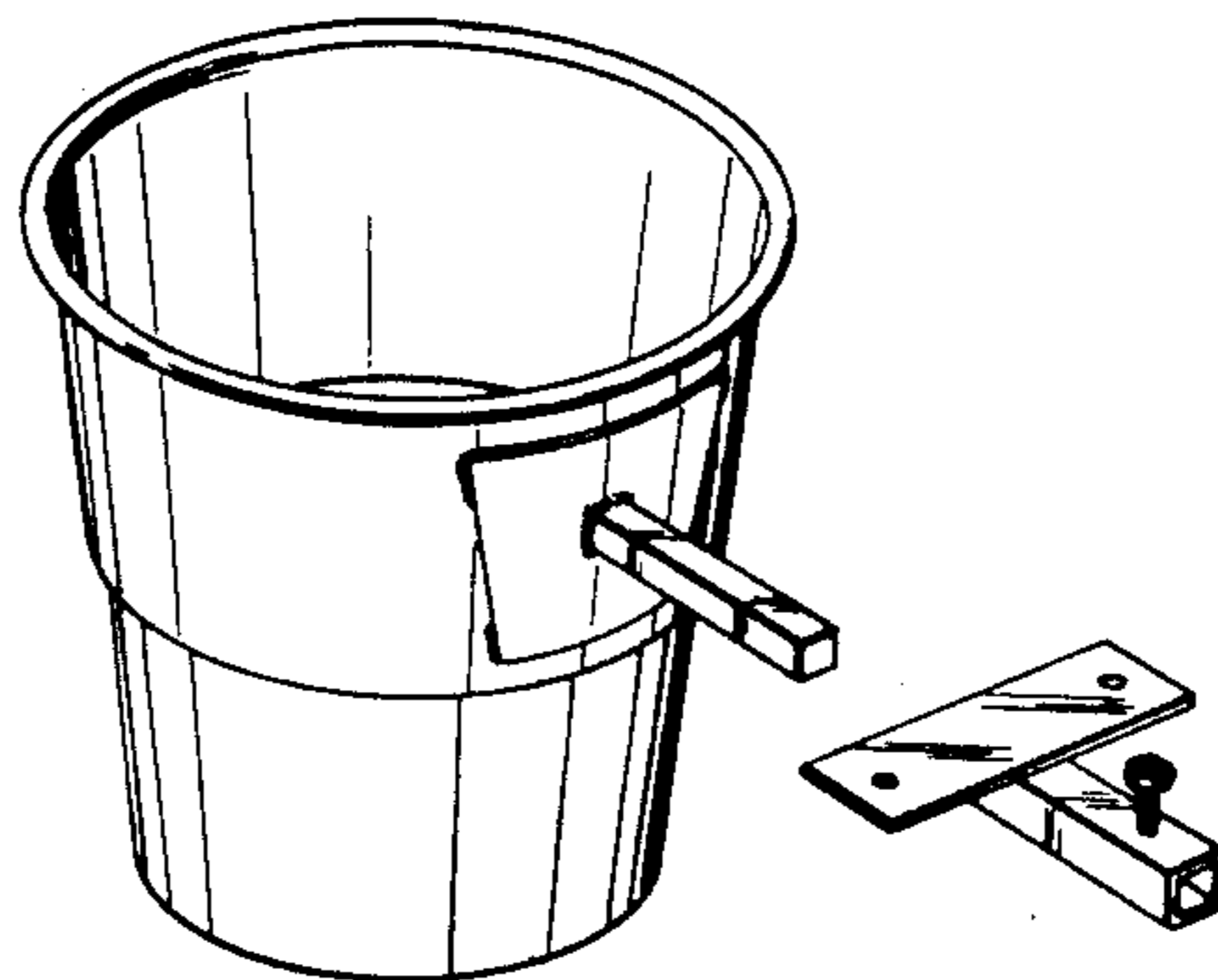


Fig. 1

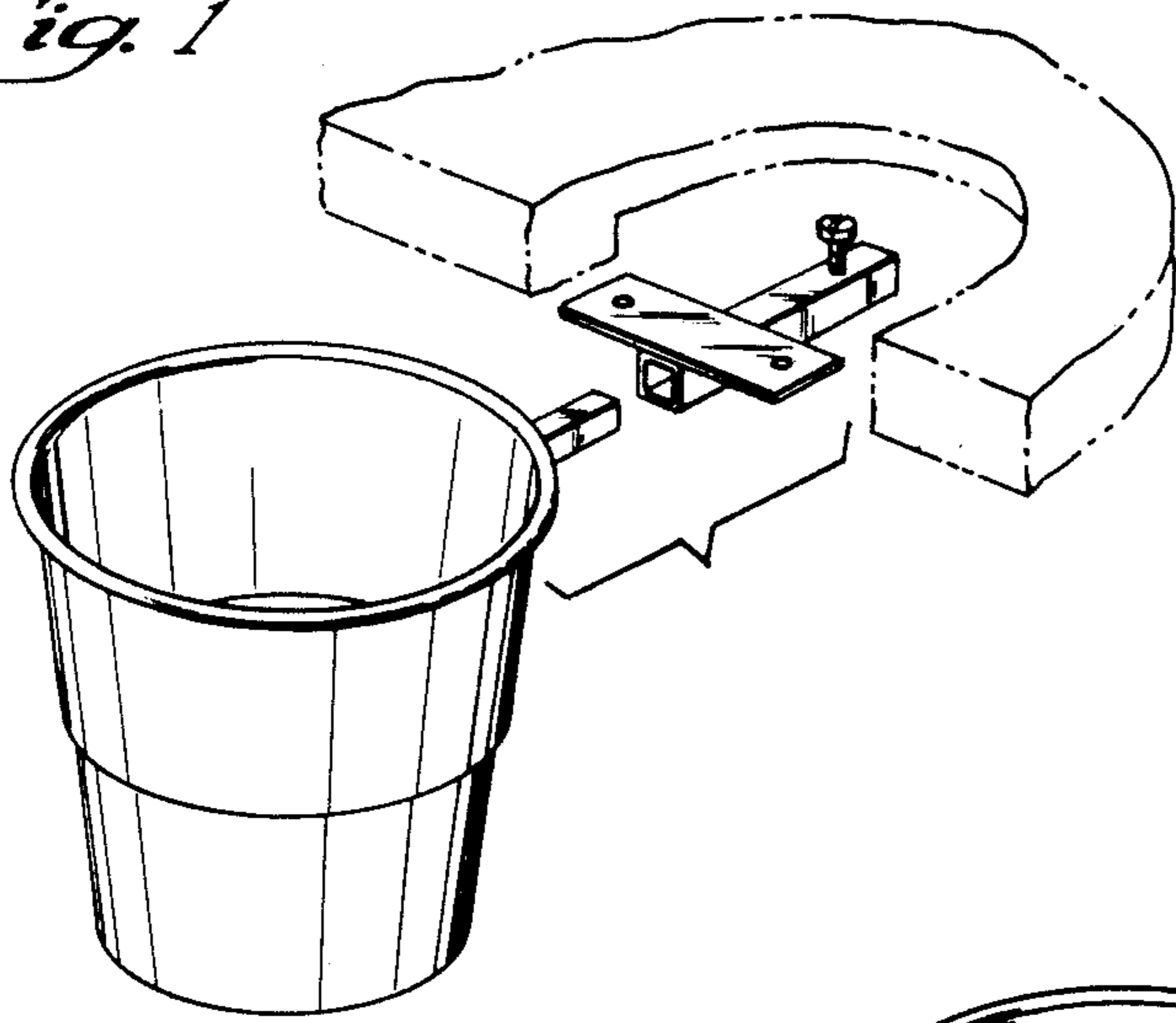


Fig. 2

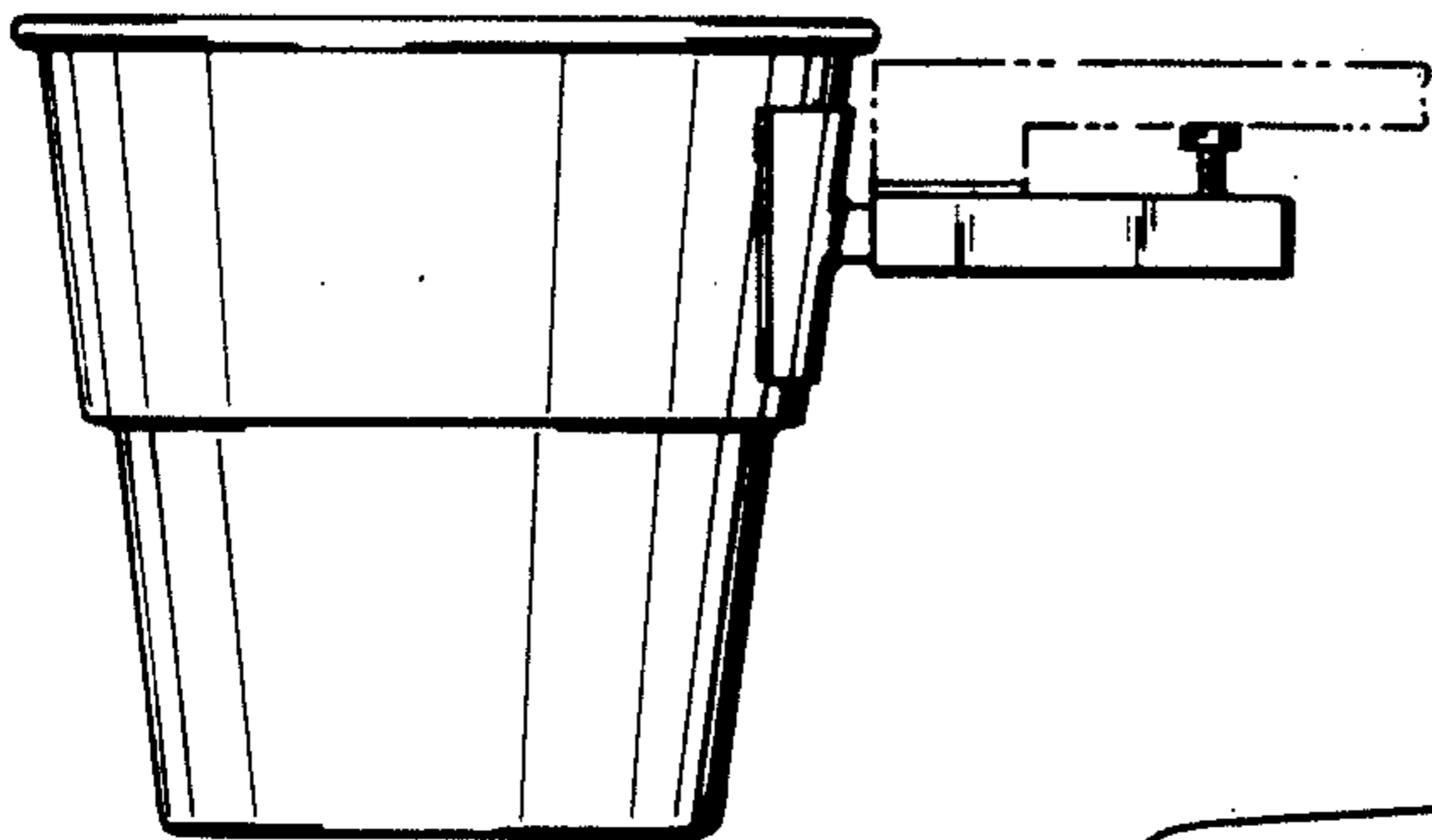
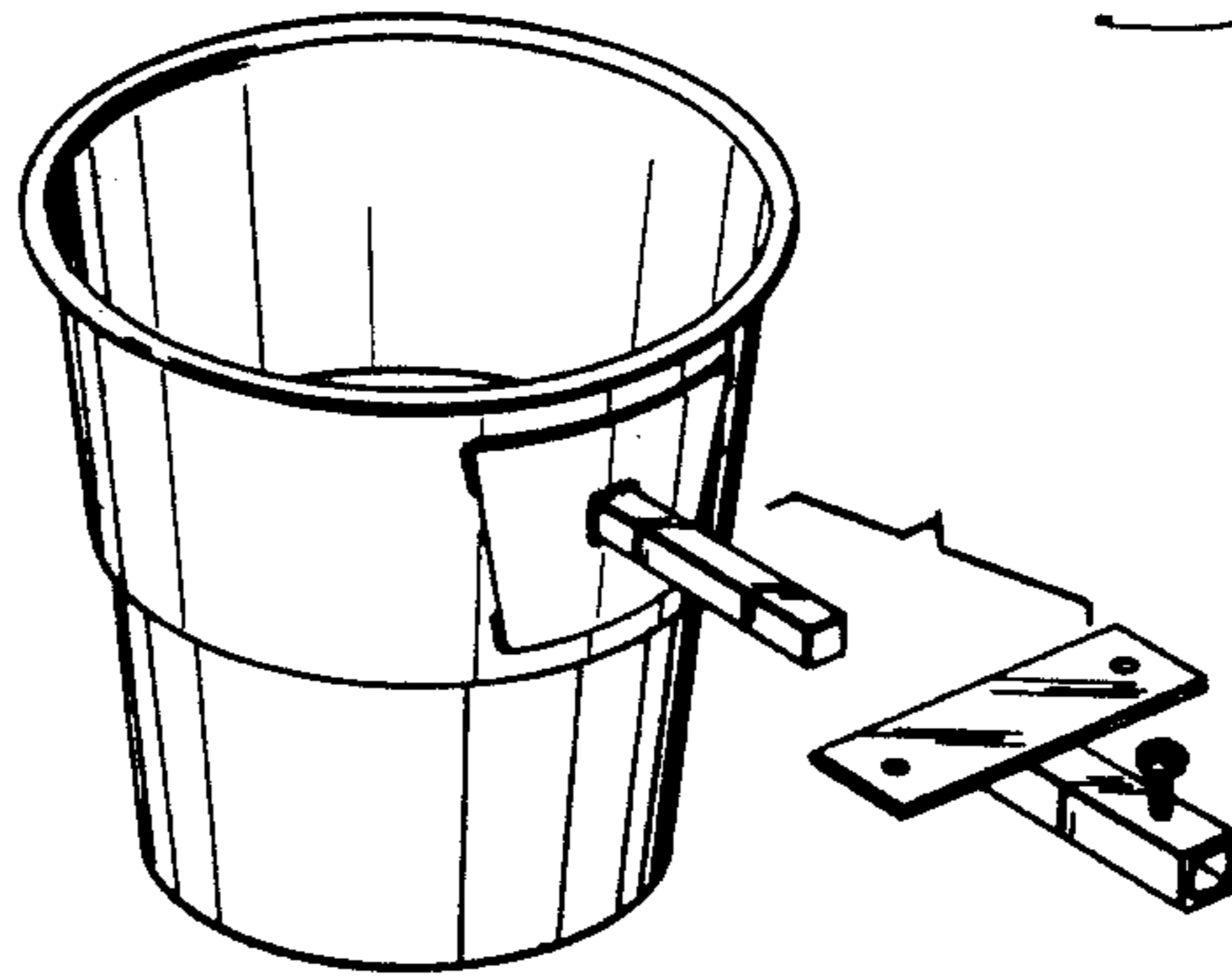


Fig. 3

Fig. 4

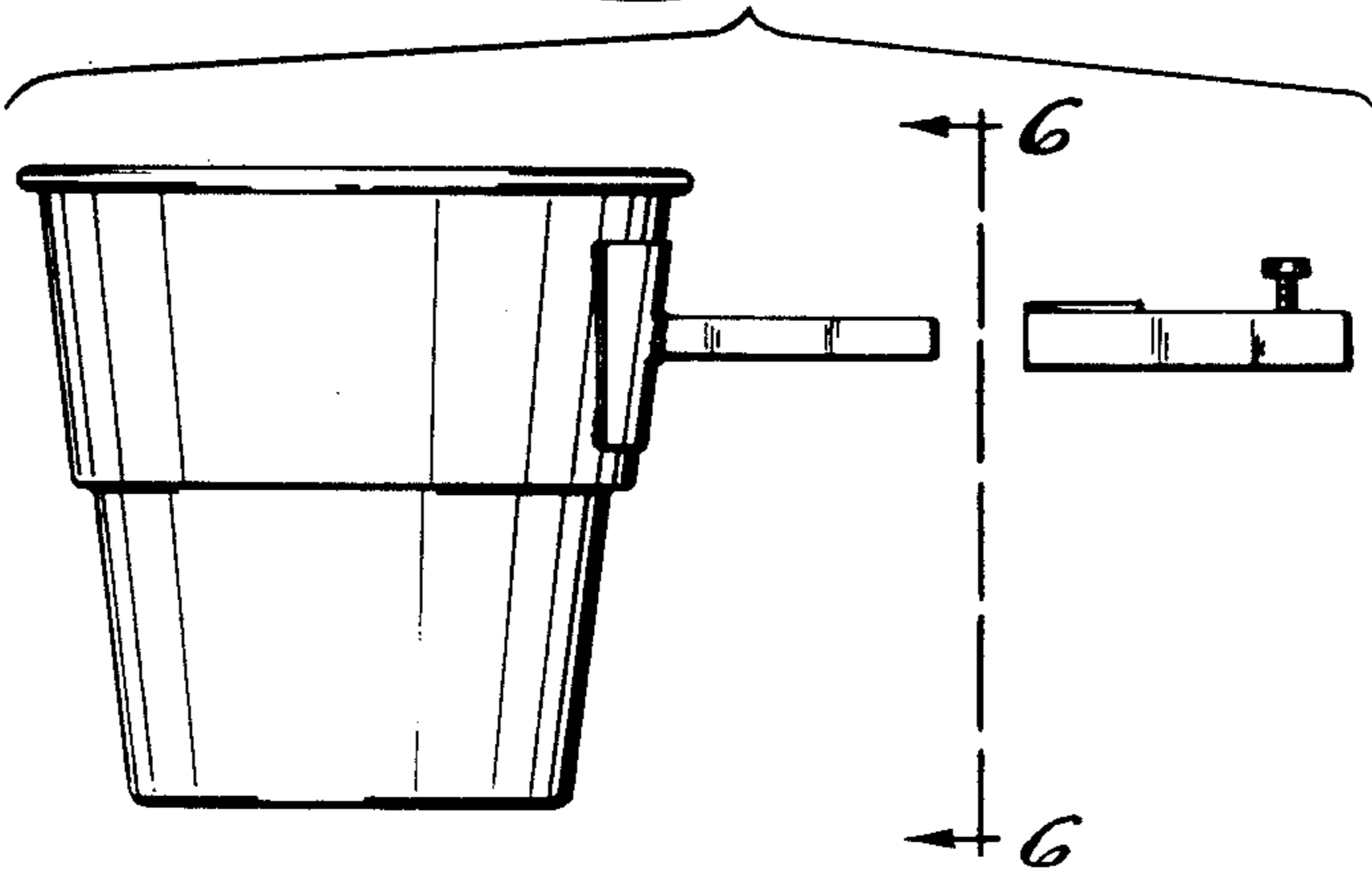


Fig. 5

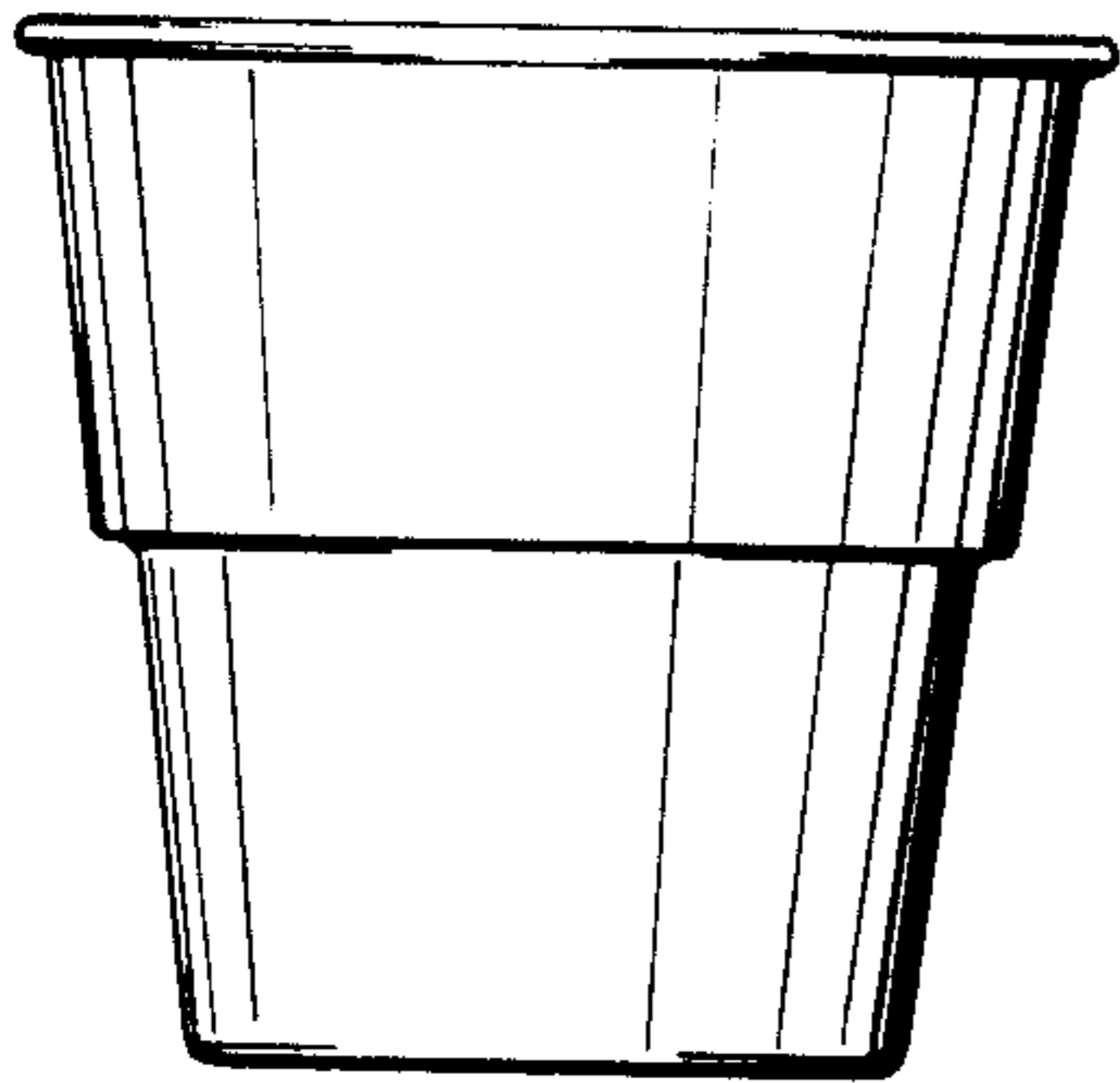


Fig. 6

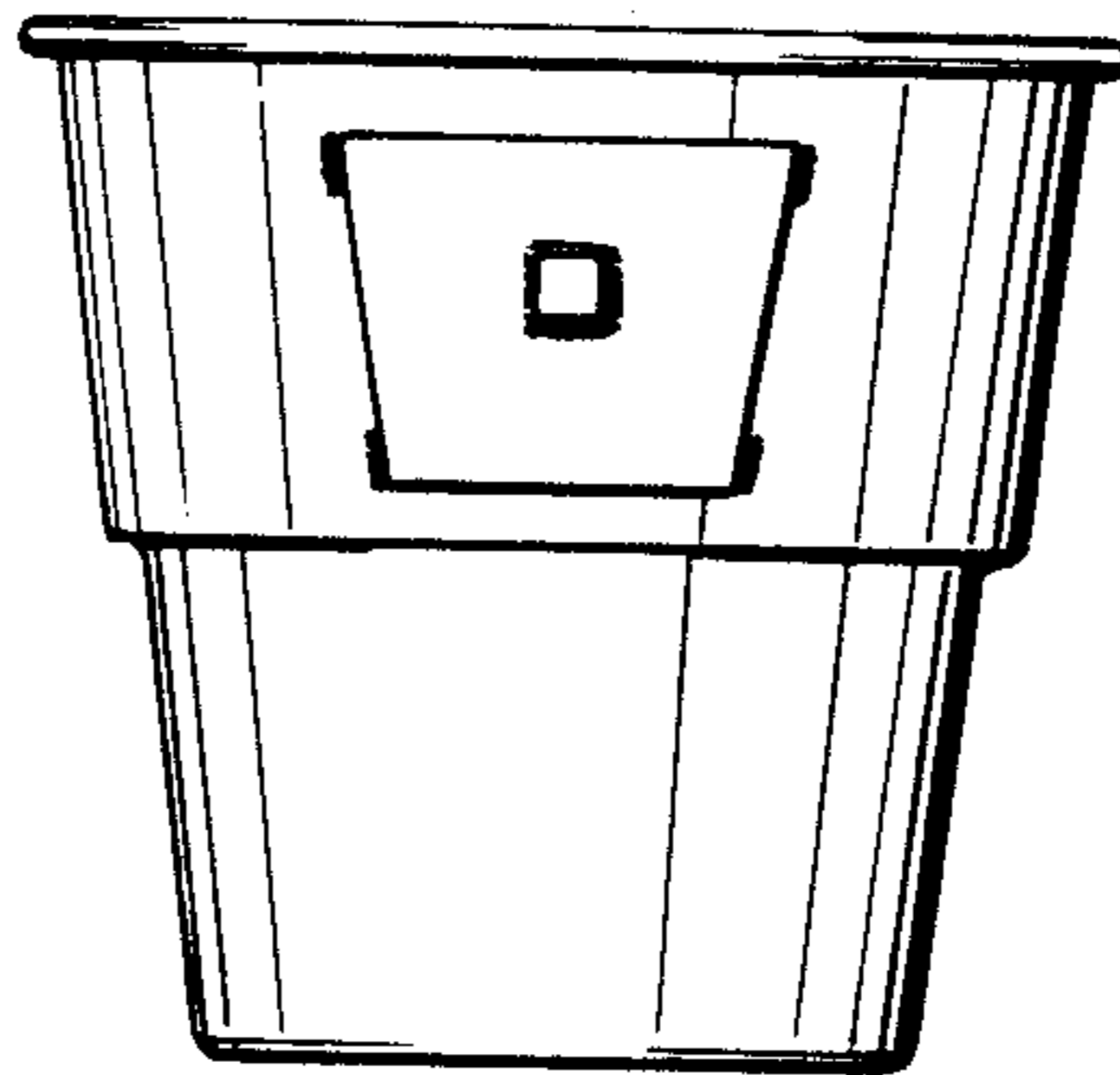


Fig. 7

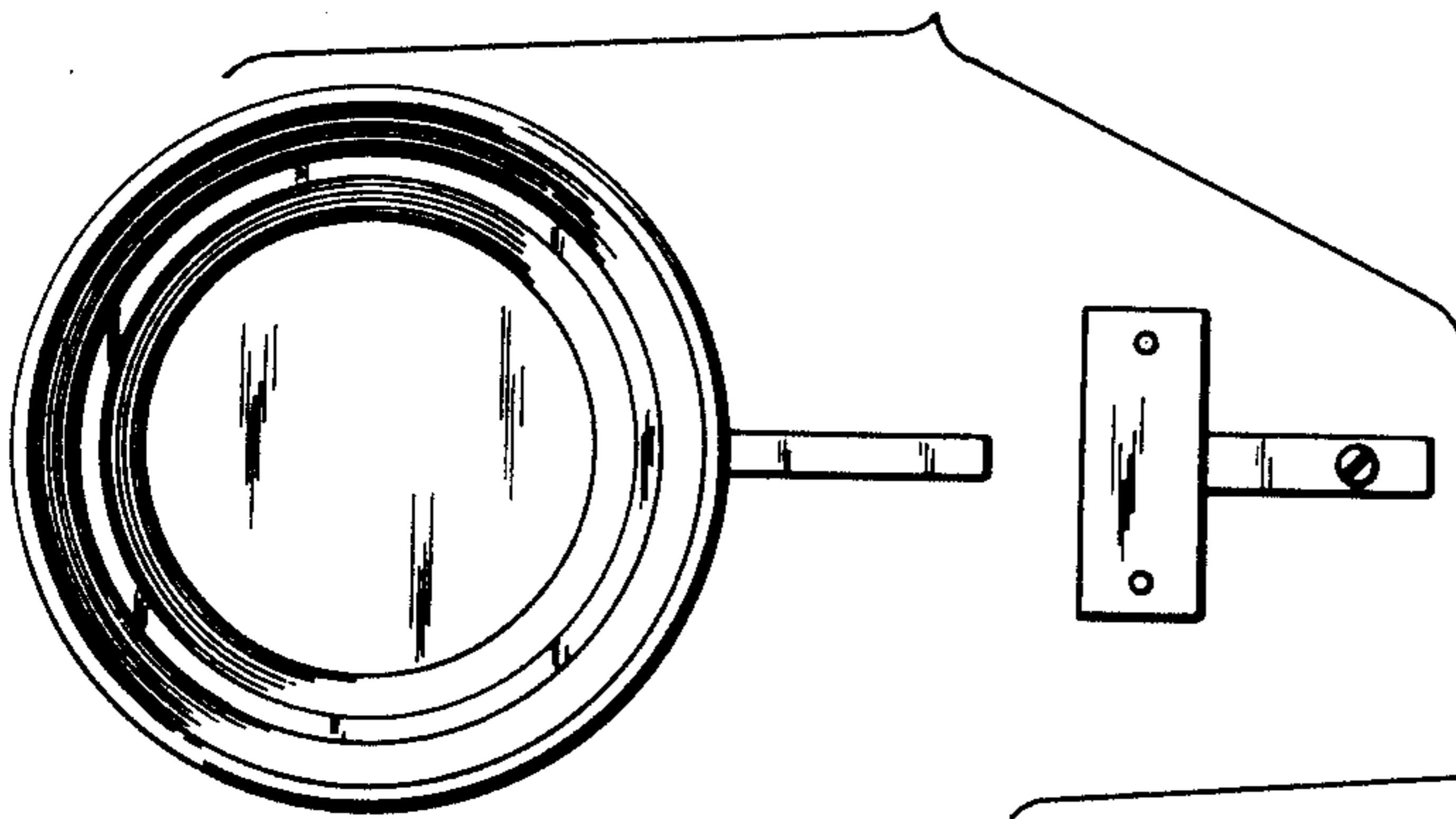


Fig. 8

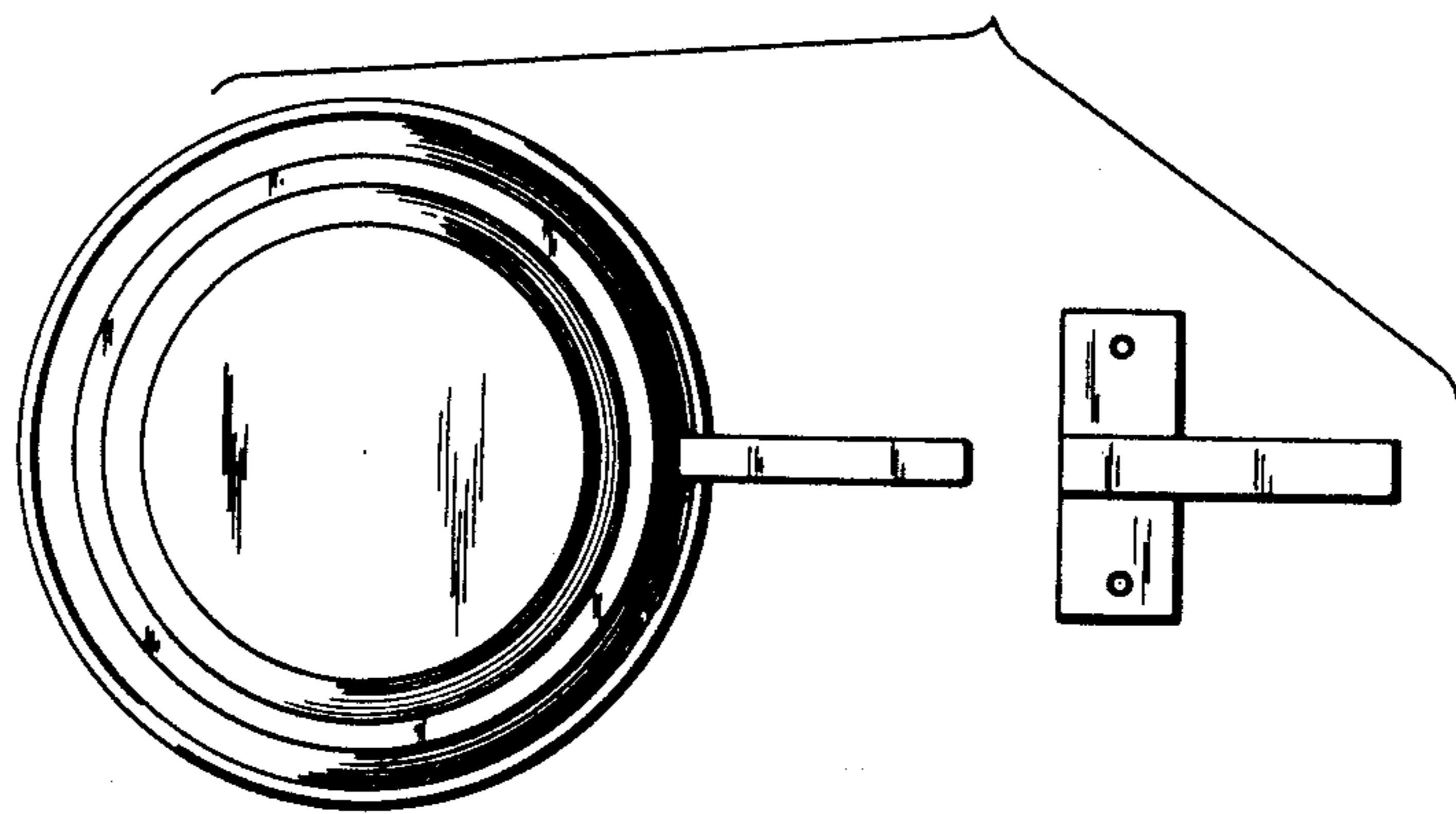


Fig. 9

