

[54] COMBINED GLIDER AND COVER THEREFOR

[76] Inventor: Thomas R. Vorwerck, 3521 Valencia St., Dayton, Ohio 45404

[**] Term: 14 Years

[21] Appl. No.: 951,356

[22] Filed: Oct. 13, 1978

[51] Int. Cl. D6-01

[52] U.S. Cl. D6/54

[58] Field of Search D6/45, 47-78

[56] References Cited

U.S. PATENT DOCUMENTS

- D. 95,941 6/1935 Weaver D6/52
- D. 183,772 10/1958 Simpson D6/54

- D. 188,948 10/1960 Axe D6/45 X
- D. 198,922 8/1964 Ryan D6/54

Primary Examiner—Bruce W. Dunkins
Attorney, Agent, or Firm—Joseph Patrick Burke

[57] CLAIM

The ornamental design for a combined glider and cover therefor, as shown and described.

DESCRIPTION

FIG. 1 is a front perspective view of a combined glider and cover therefor showing my design;
FIG. 2 is a front elevational view;
FIG. 3 is a rear elevational view;
FIG. 4 is a top plan view wherein the legs have been omitted for convenience of illustration; and
FIG. 5 is an elevational view showing one of the two identical ends.

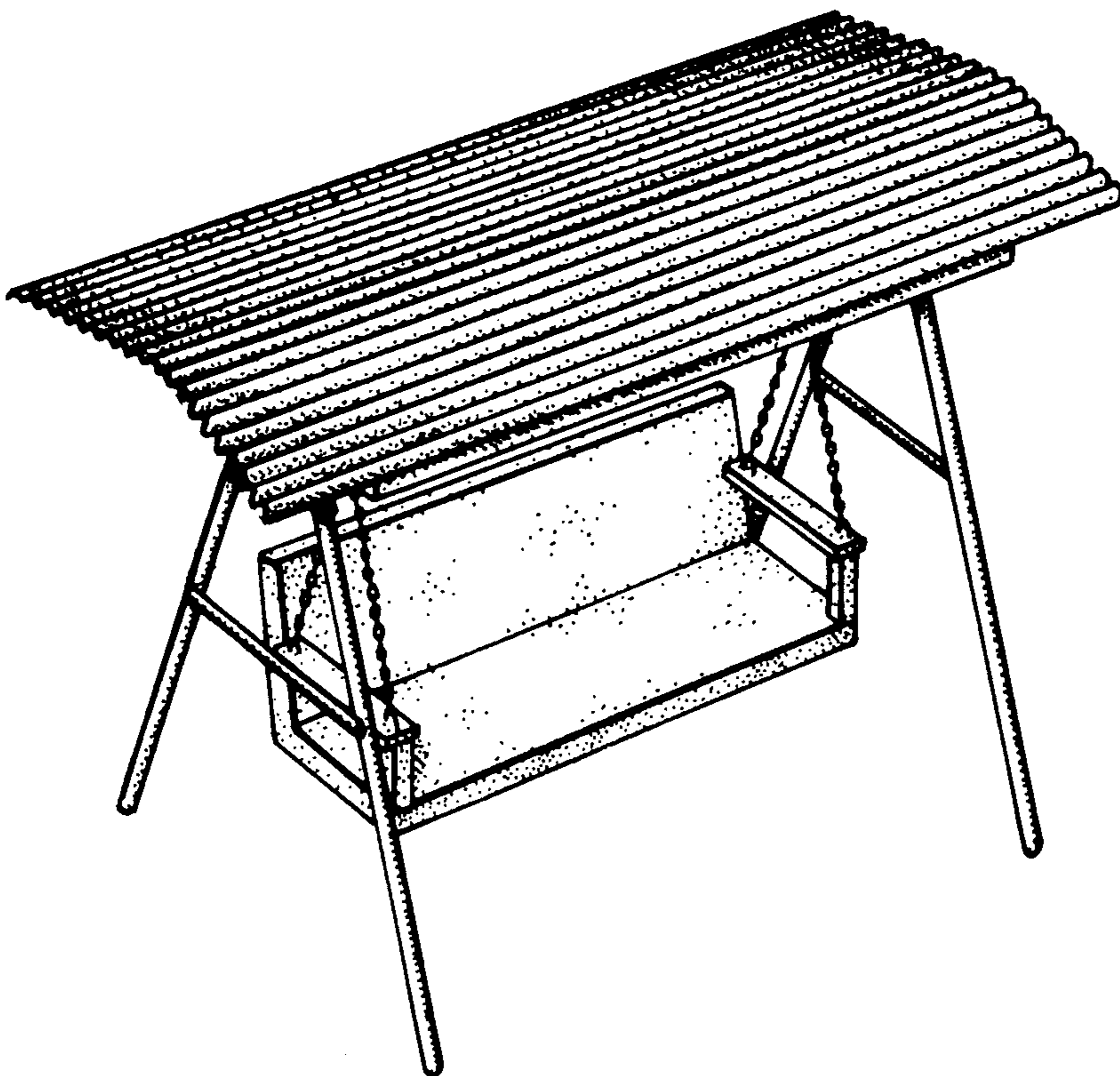


FIG-1

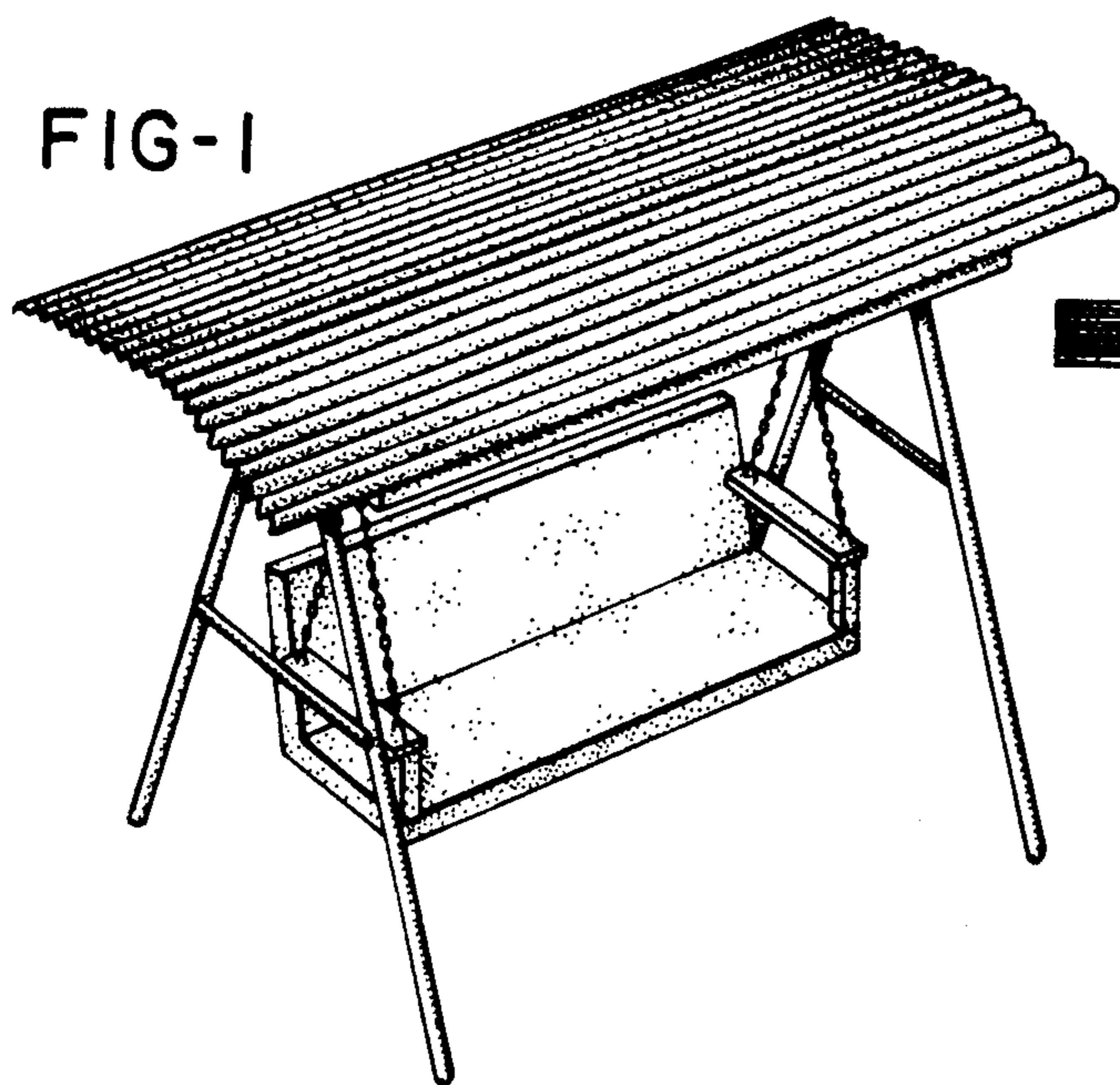


FIG-2

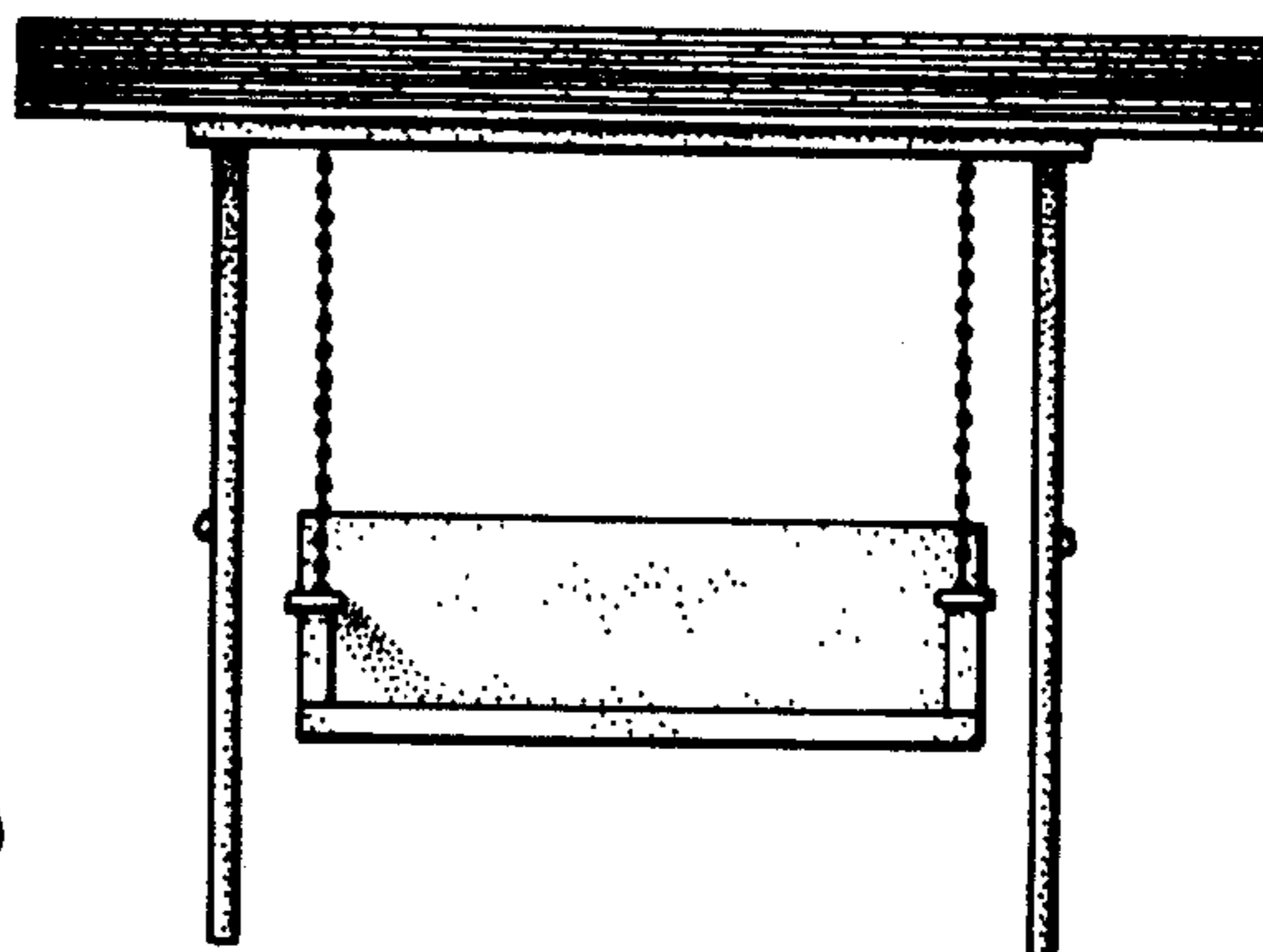


FIG-3

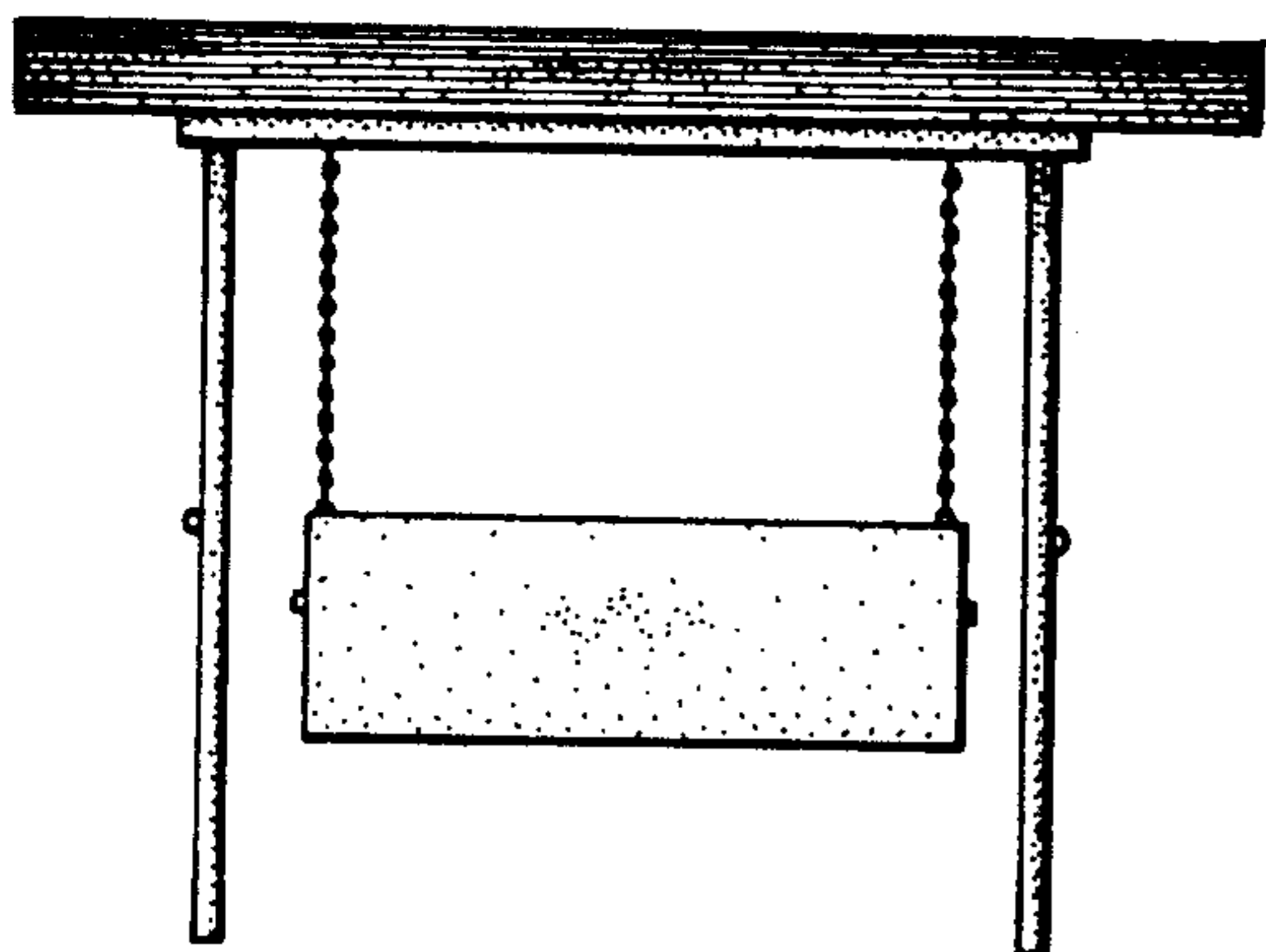


FIG-4

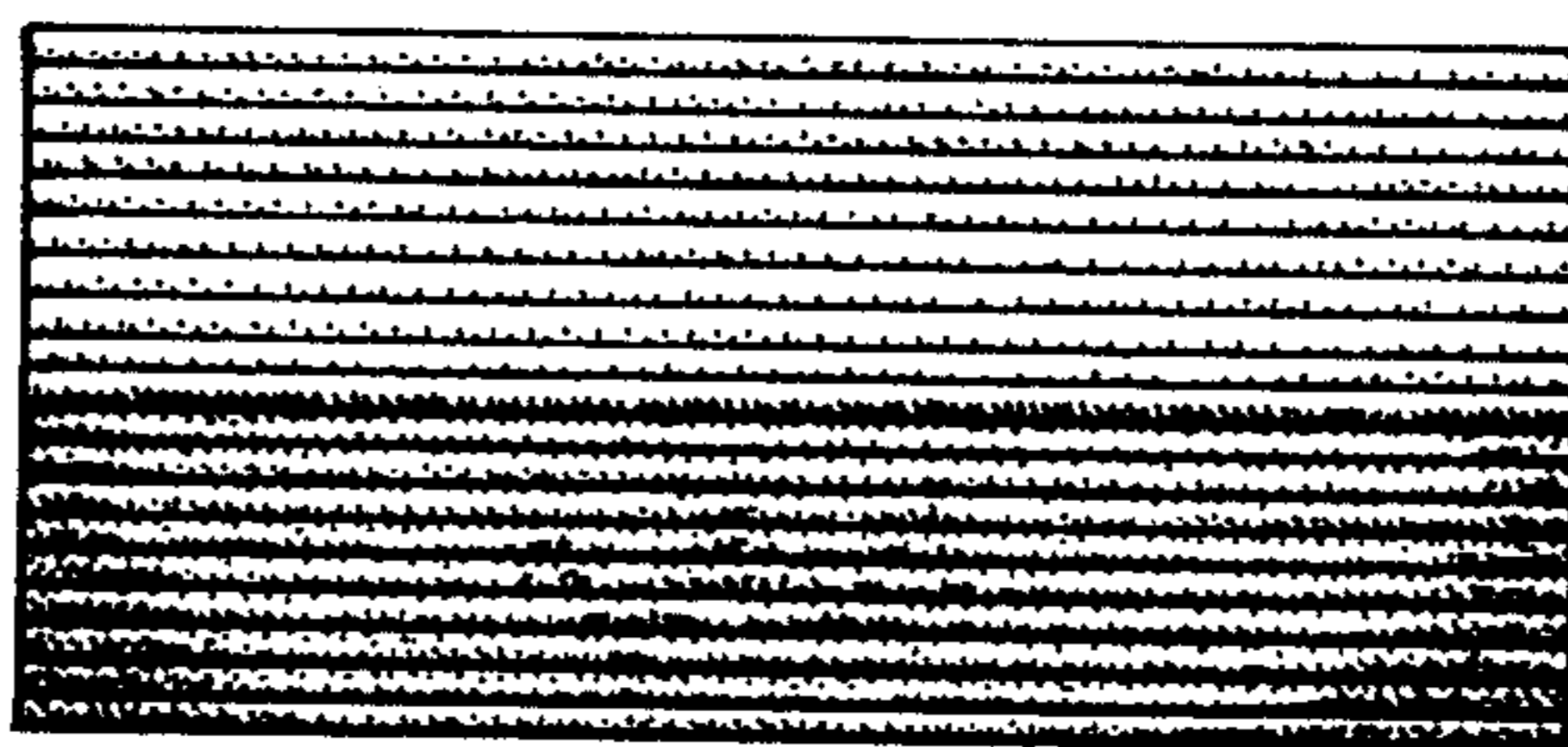


FIG-5

