

[54] **COMBINED TABLE, STORAGE CONSOLE AND MULTIPLE SEATING UNIT**

[75] Inventor: **Giulio Ponzellini**, Bologna, Italy

[73] Assignee: **Anonima Castelli, S.p.A.**, Bologna, Italy

[**] Term: **14 Years**

[21] Appl. No.: **746,079**

[22] Filed: **Nov. 30, 1976**

[30] **Foreign Application Priority Data**

May 31, 1976 [IT] Italy 35821-B/76

[51] Int. Cl. **D6-05**

[52] U.S. Cl. **D6/41; D6/45**

[58] Field of Search D6/48, 42, 45, 59; 297/135, 145, 173, 174, 232, 233, 248, 313

[56] **References Cited**

U.S. PATENT DOCUMENTS

D. 253,261 10/1979 Webster D6/48 X
2,494,838 1/1950 Slaughter 297/145

2,947,348	8/1960	Peckham	297/145
3,145,052	8/1964	Morgan	297/233 X
3,583,760	6/1971	McGregor	297/145
3,632,161	1/1972	Arfaras et al.	297/145
3,762,765	10/1973	Piretti	297/232

Primary Examiner—Bruce W. Dunkins
Attorney, Agent, or Firm—Lackebach, Lilling & Siegel

[57] **CLAIM**

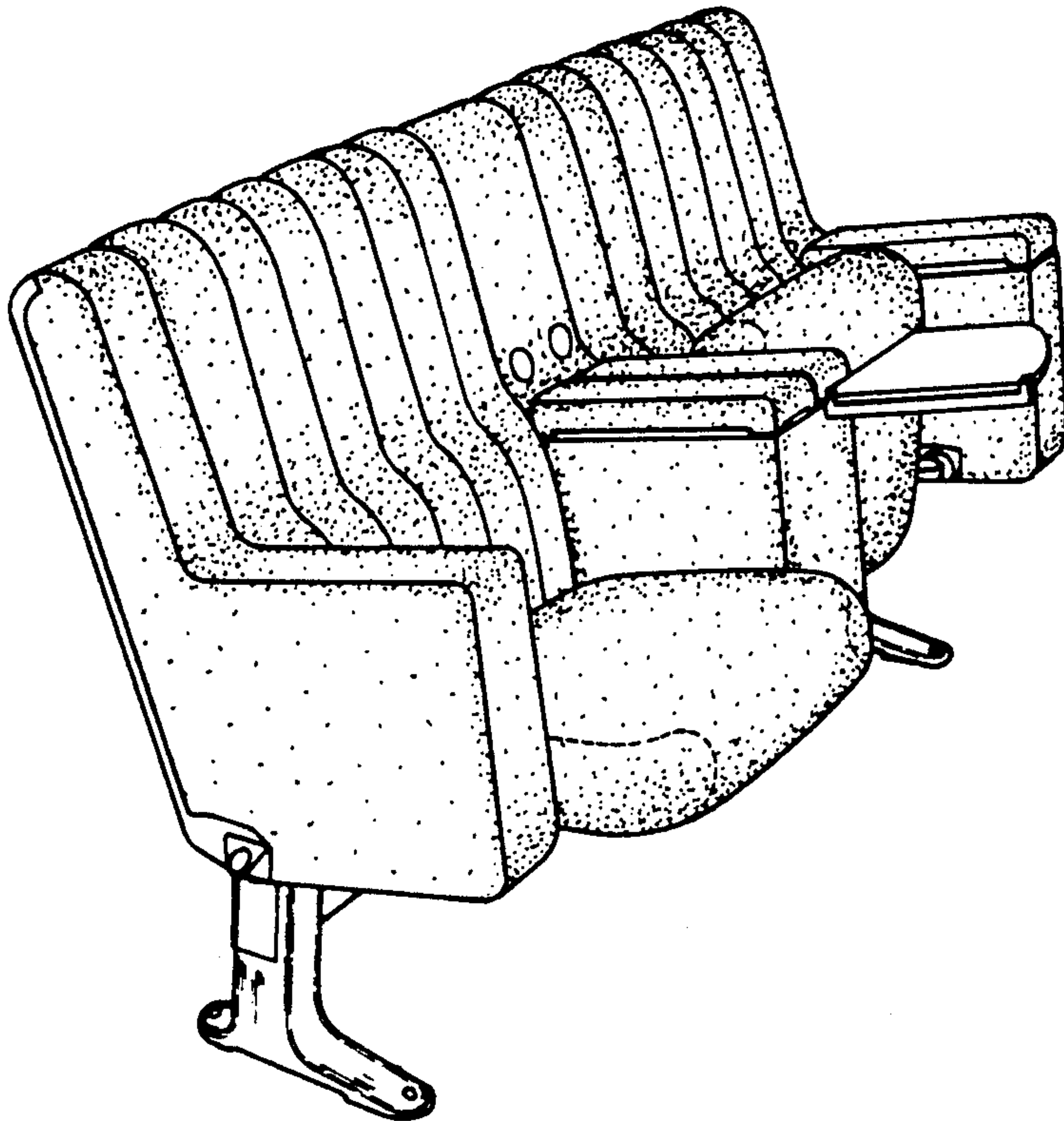
The ornamental design for a combined table, storage console and multiple seating unit, substantially as shown and described.

DESCRIPTION

FIG. 1 is a front perspective view of a combined table, storage console and multiple seating unit showing my design with the retractable table in fully extended position;

FIG. 2 is a fragmentary front perspective view showing the hinged arm rest covers of the storage console in raised position and the retractable table in its housed position; and

FIG. 3 is a rear perspective view showing the end of the seat not shown in FIG. 1.



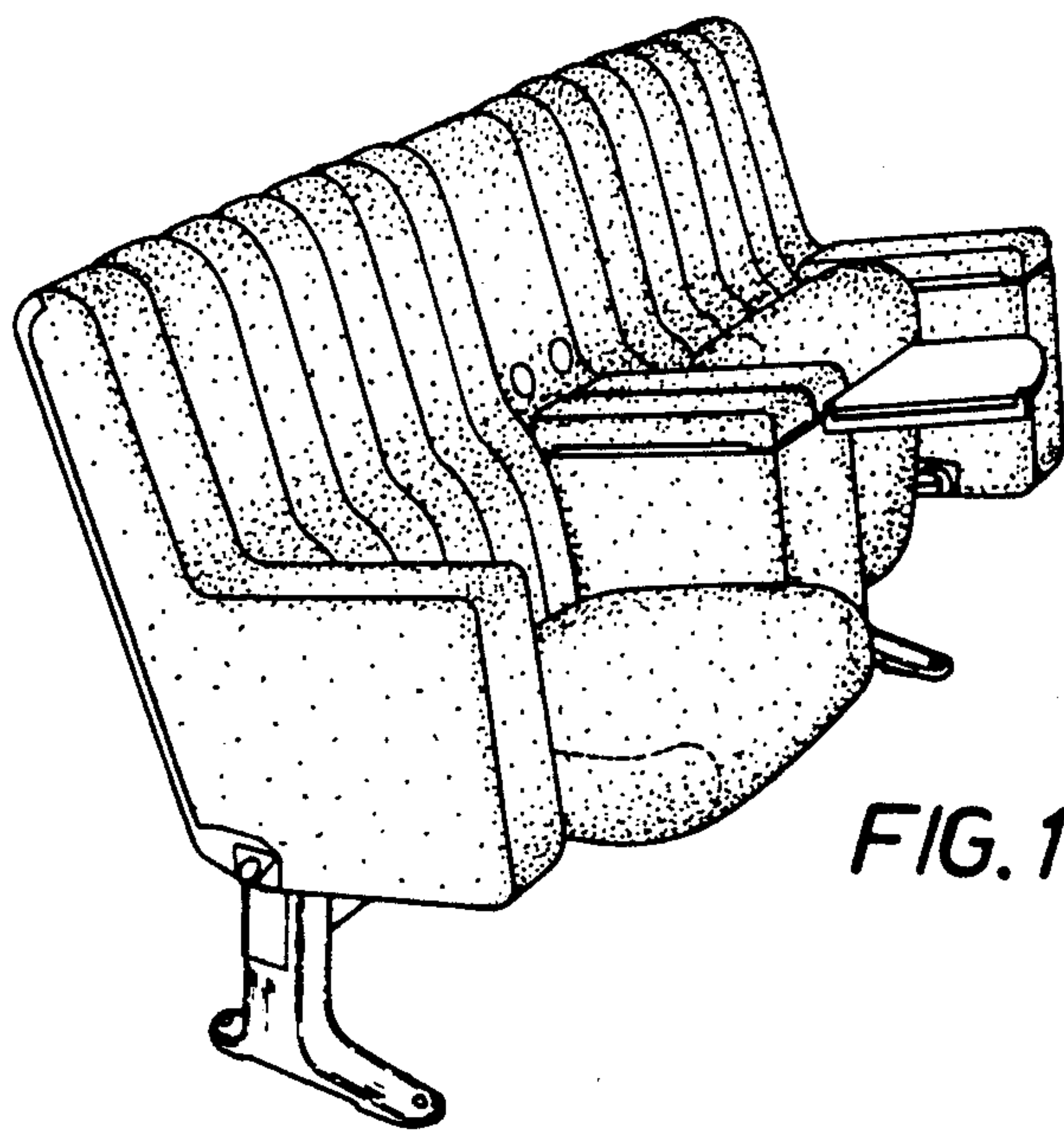


FIG. 2

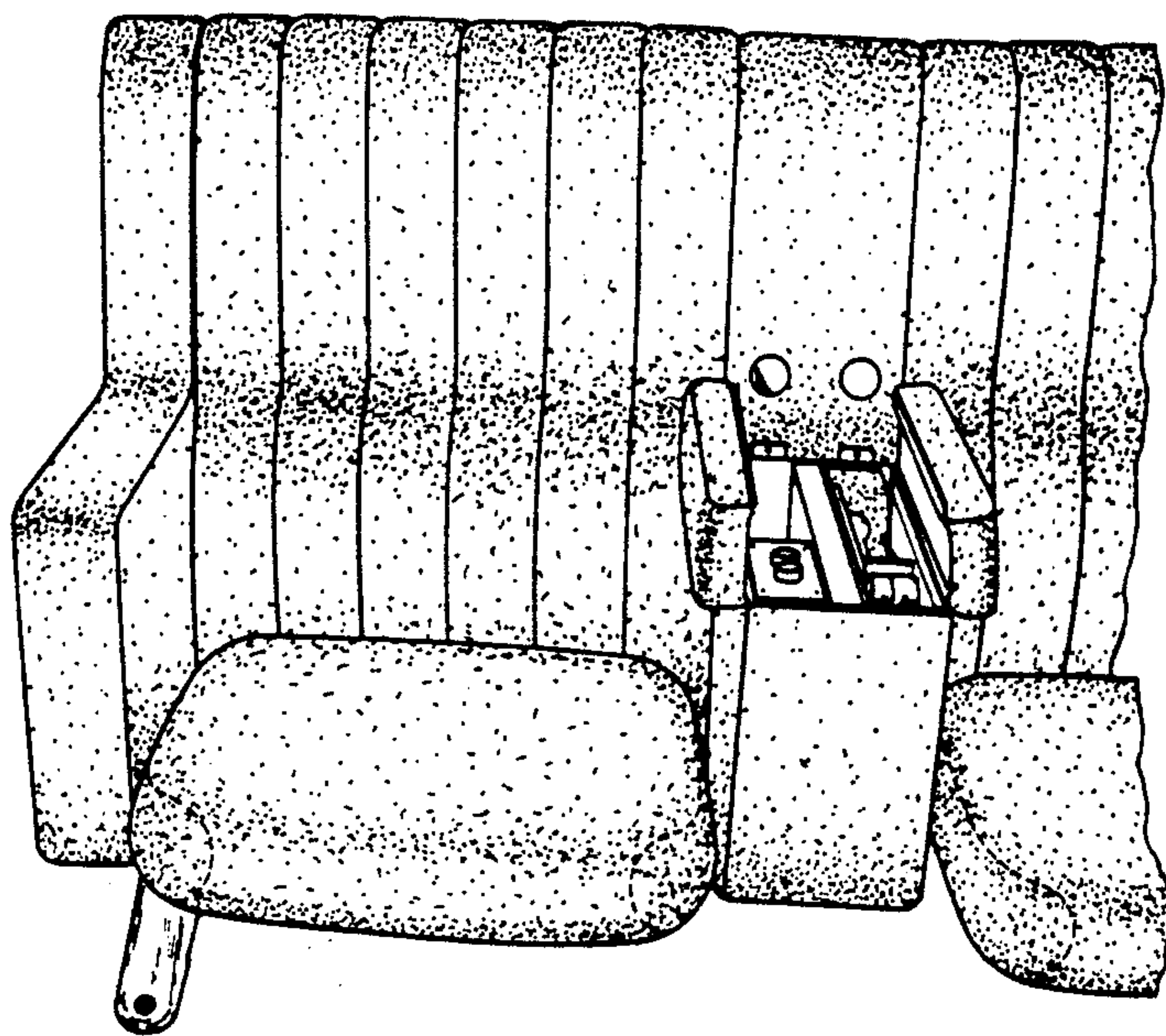


FIG. 3

