

[54] **COMBINED CARRIER AND DISPENSER FOR BUSINESS CARDS**

3,255,874 6/1966 Elkner 206/357

[76] Inventor: **Robert L. Morgan**, 2631 Naylor Rd., SE., Washington, D.C. 20020

[**] Term: **14 Years**

[21] Appl. No.: **52,220**

[22] Filed: **Jun. 26, 1979**

[51] Int. Cl. **D3-01**

[52] U.S. Cl. **D3/56**

[58] Field of Search D3/30, 56, 62, 78; D9/193, 222; 206/39, 39.3, 39.4, 39.5, 249, 253, 354, 355, 357

[56] **References Cited**

U.S. PATENT DOCUMENTS

D. 254,842 4/1980 Berner D9/193
2,732,933 1/1956 Lewis 206/355

OTHER PUBLICATIONS

Ambassador Leather Goods, Cat. 1970, p. 56, top.

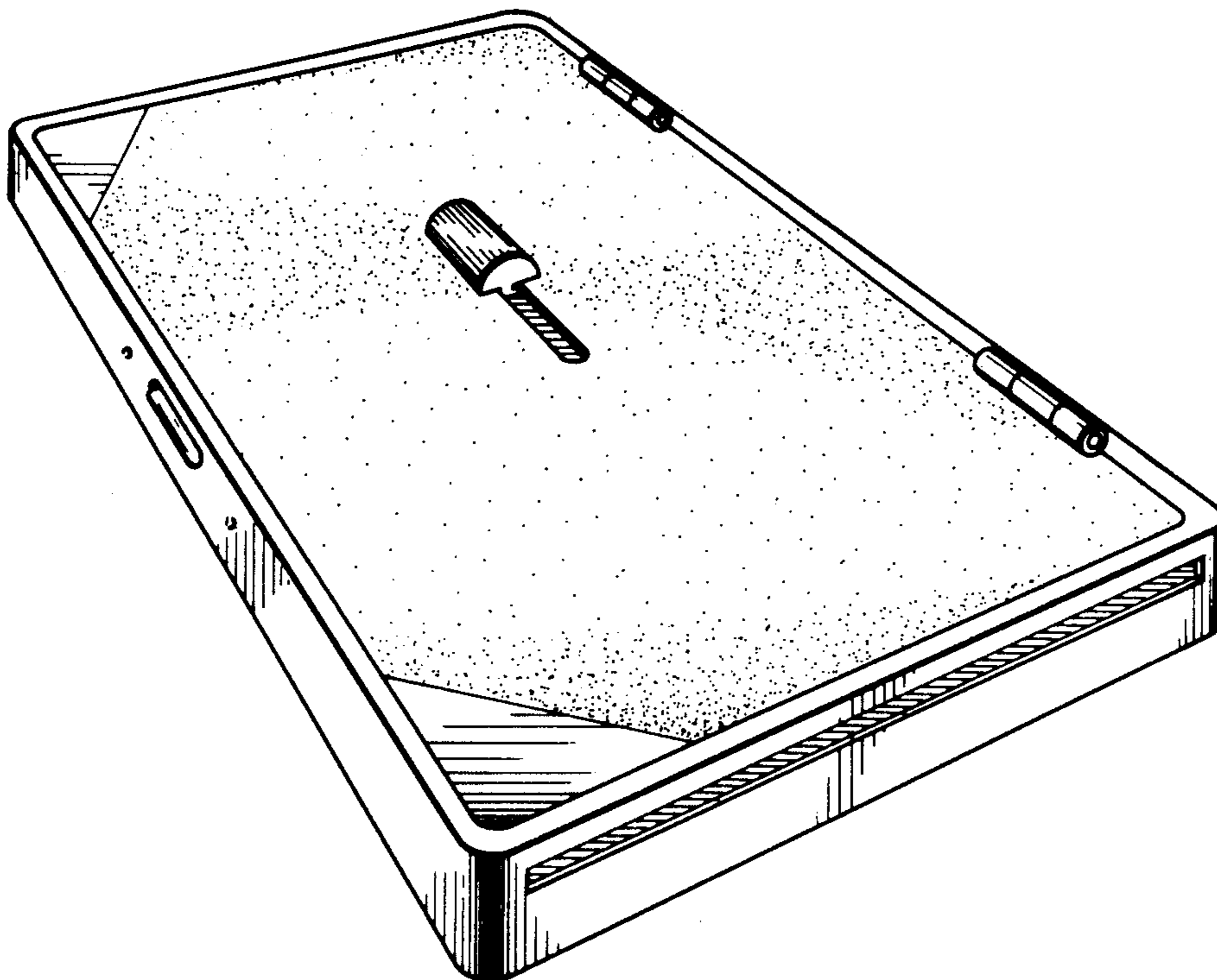
Primary Examiner—George P. Word
Attorney, Agent, or Firm—Jay H. Maioli

[57] **CLAIM**

The ornamental design for a combined carrier and dispenser for business cards, substantially as shown.

DESCRIPTION

FIG. 1 is a perspective of a combined carrier and dispenser for business cards showing my new design; FIG. 2 is a top plan view thereof; FIG. 3 is a front elevational view thereof; FIG. 4 is a bottom plan view thereof; FIG. 5 is a right end elevational view thereof; FIG. 6 is a rear elevational view thereof; and FIG. 7 is a left end elevational view thereof.



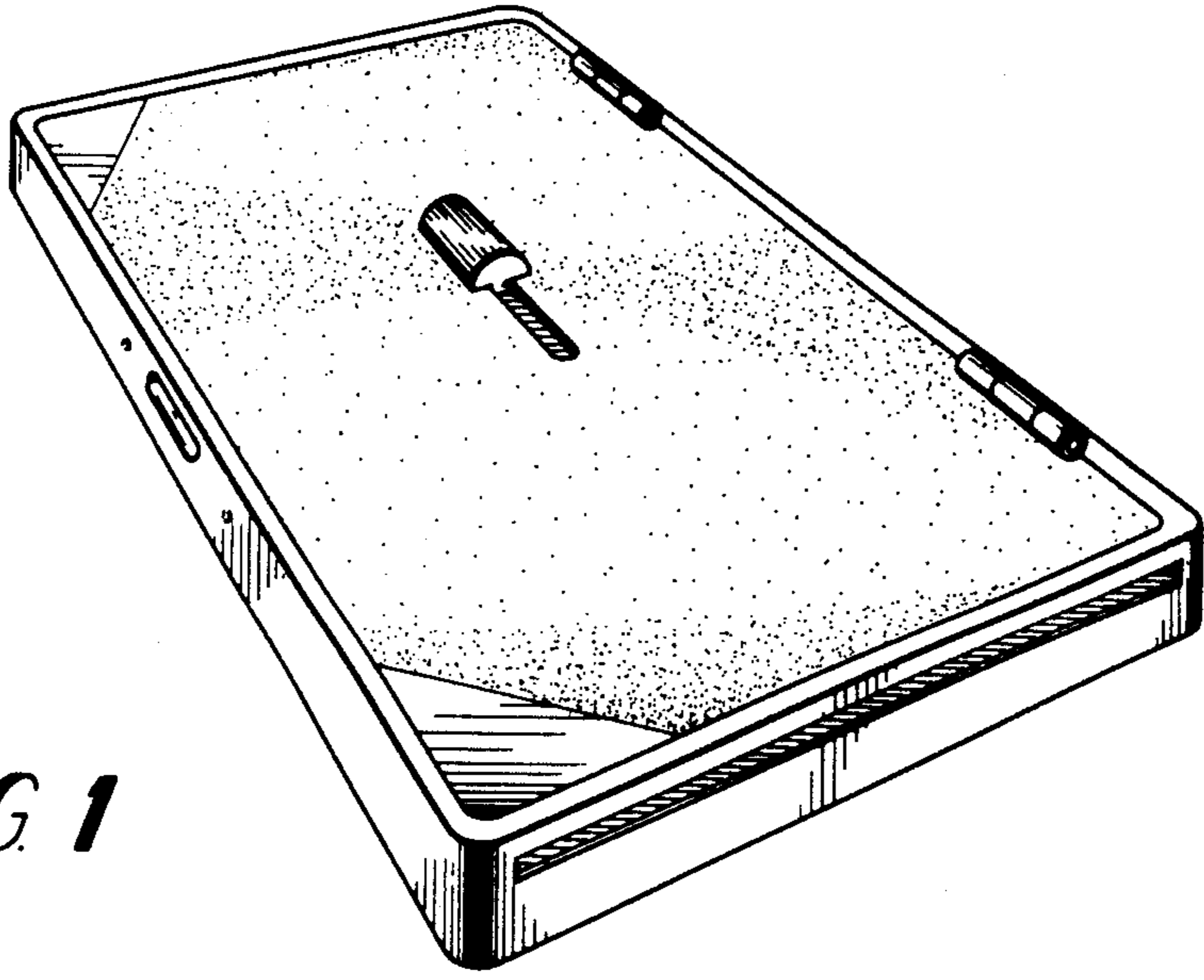


FIG 1

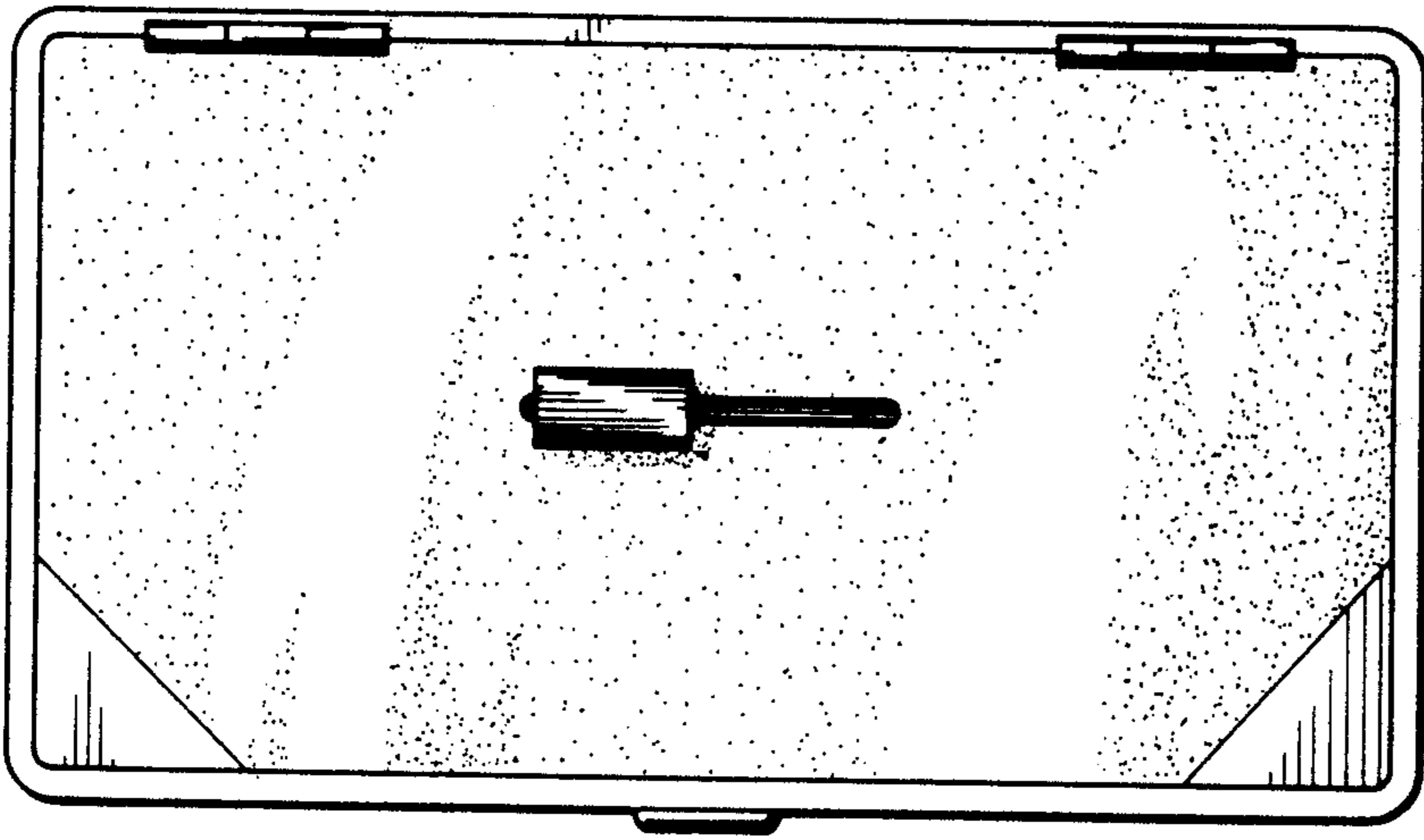


FIG 2

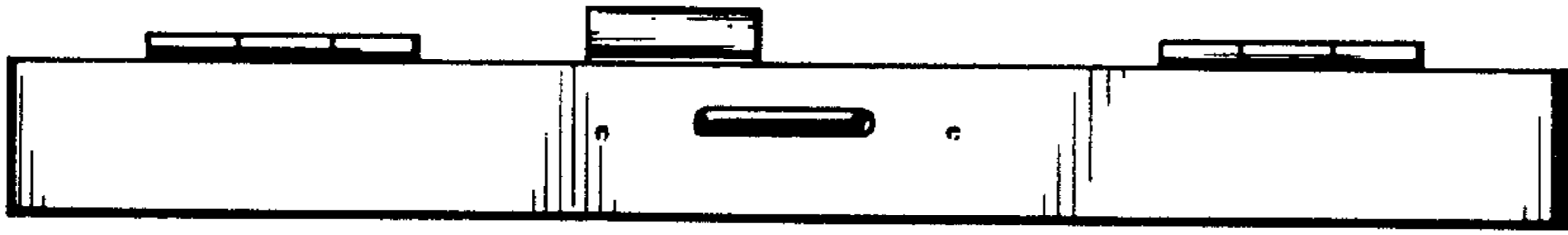


FIG 3

FIG 4

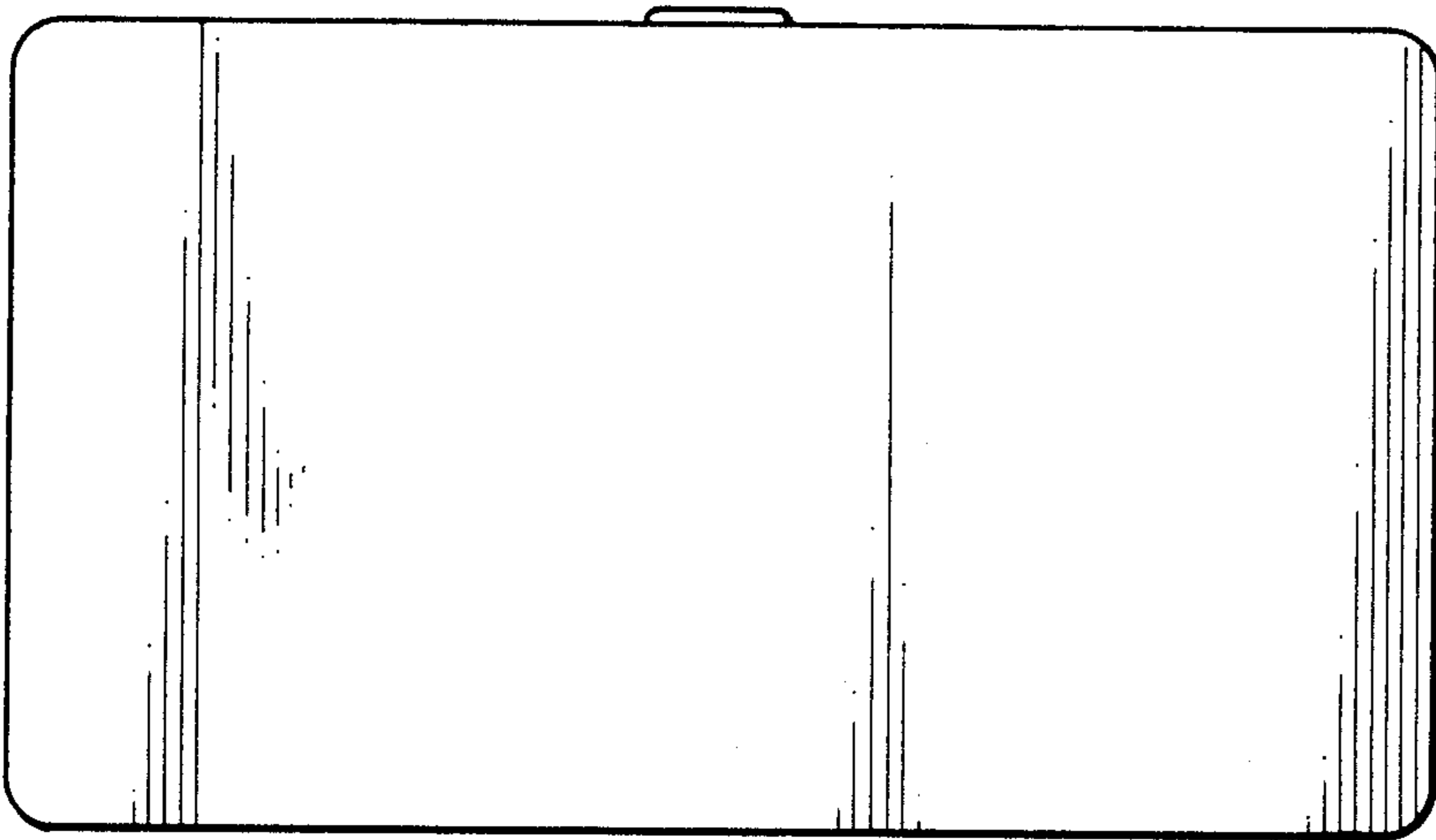


FIG 5

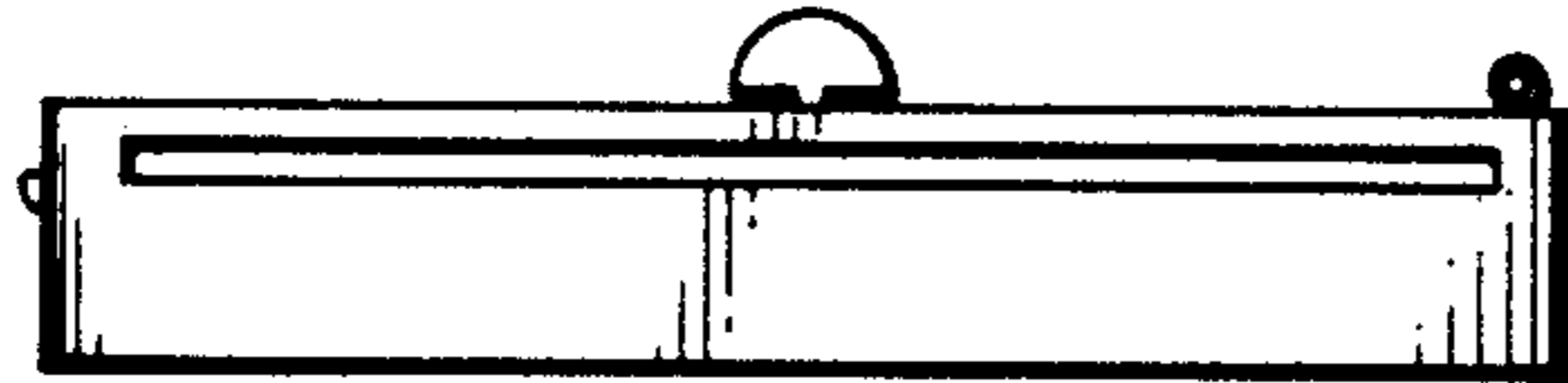


FIG 6

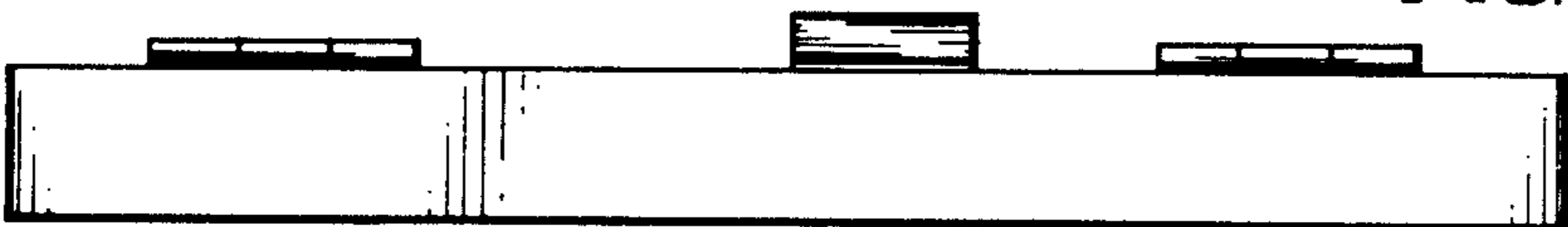


FIG 7

