

[54] PET FEEDING CENTER

[76] Inventor: Paul H. Robinson, 465 Legace Ave., Dorval, Quebec, Canada, H9S 5J6

[**] Term: 14 Years

[21] Appl. No.: 74,430

[22] Filed: Sep. 11, 1979

[30] Foreign Application Priority Data

Mar. 23, 1979 [CA] Canada 23-03-79-1
Apr. 27, 1979 [CA] Canada 27-04-79-1

[51] Int. Cl. D30-03

[52] U.S. Cl. D30/16

[58] Field of Search D30/13-18;
119/51 R, 51.5, 61

[56] References Cited

U.S. PATENT DOCUMENTS

D. 89,262 2/1933 Nunimaker D30/16
D. 105,450 7/1937 Clifton D30/16
2,555,396 6/1951 Cogner 119/51.5

2,841,114 7/1958 Grant 119/61 X
2,845,896 8/1958 Copeland 119/61 X
3,180,316 4/1965 Chatfield et al. D30/16 X
3,776,193 12/1973 Post, Sr. 119/51.5

Primary Examiner—James R. Largen
Attorney, Agent, or Firm—Emory L. Groff, Jr.

[57] CLAIM

The ornamental design for a pet feeding center, as shown and described.

DESCRIPTION

FIG. 1 is a perspective view taken from the top, front and right end of a pet feeding center showing my new design;

FIG. 2 is a top plan view thereof;

FIG. 3 is a rear elevational view thereof;

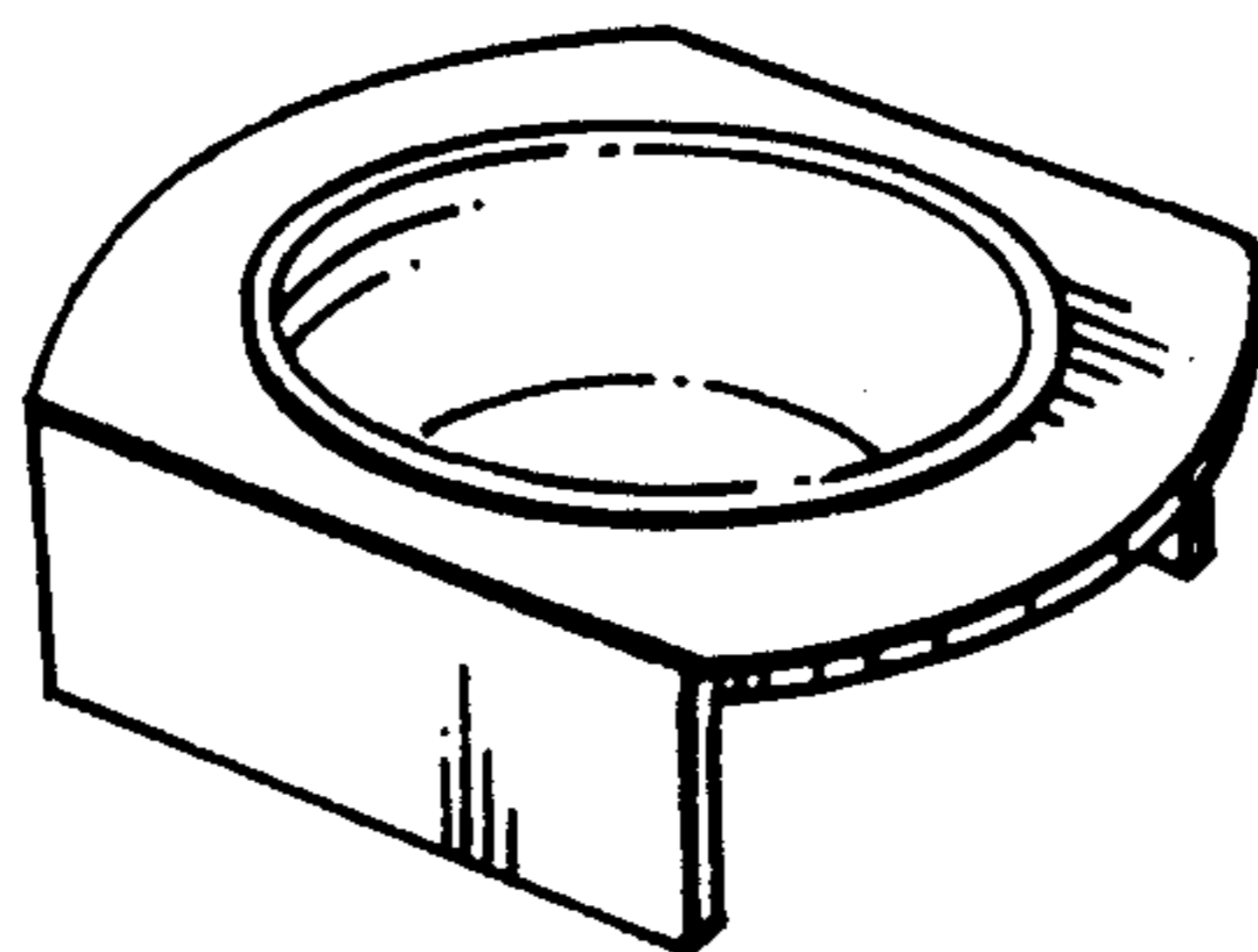
FIG. 4 is a left end elevational view thereof;

FIG. 5 is a perspective view taken from the top, front and right end of a modified form of the pet feeding center shown in FIG. 1;

FIG. 6 is a top plan view of FIG. 5;

FIG. 7 is a rear elevational view of FIG. 5; and

FIG. 8 is a left end elevational view of FIG. 5.



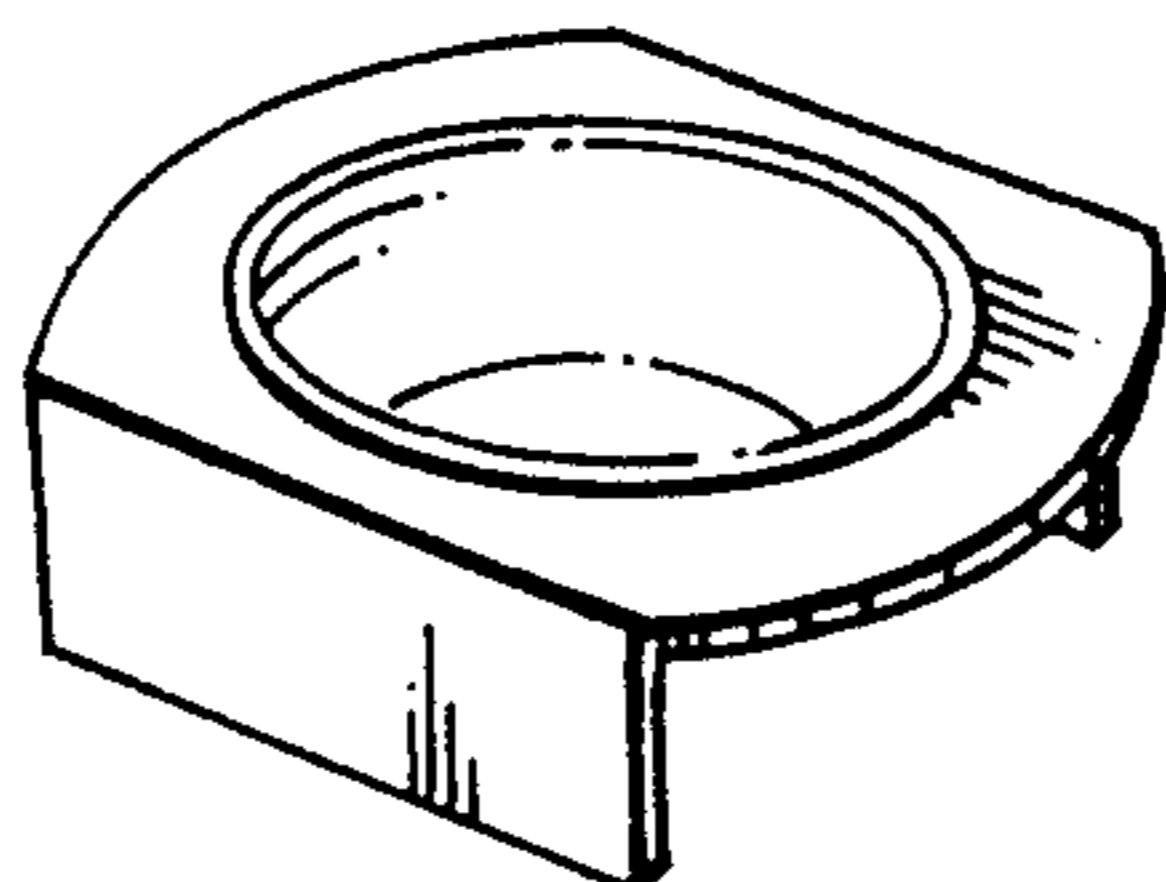


FIG. 1

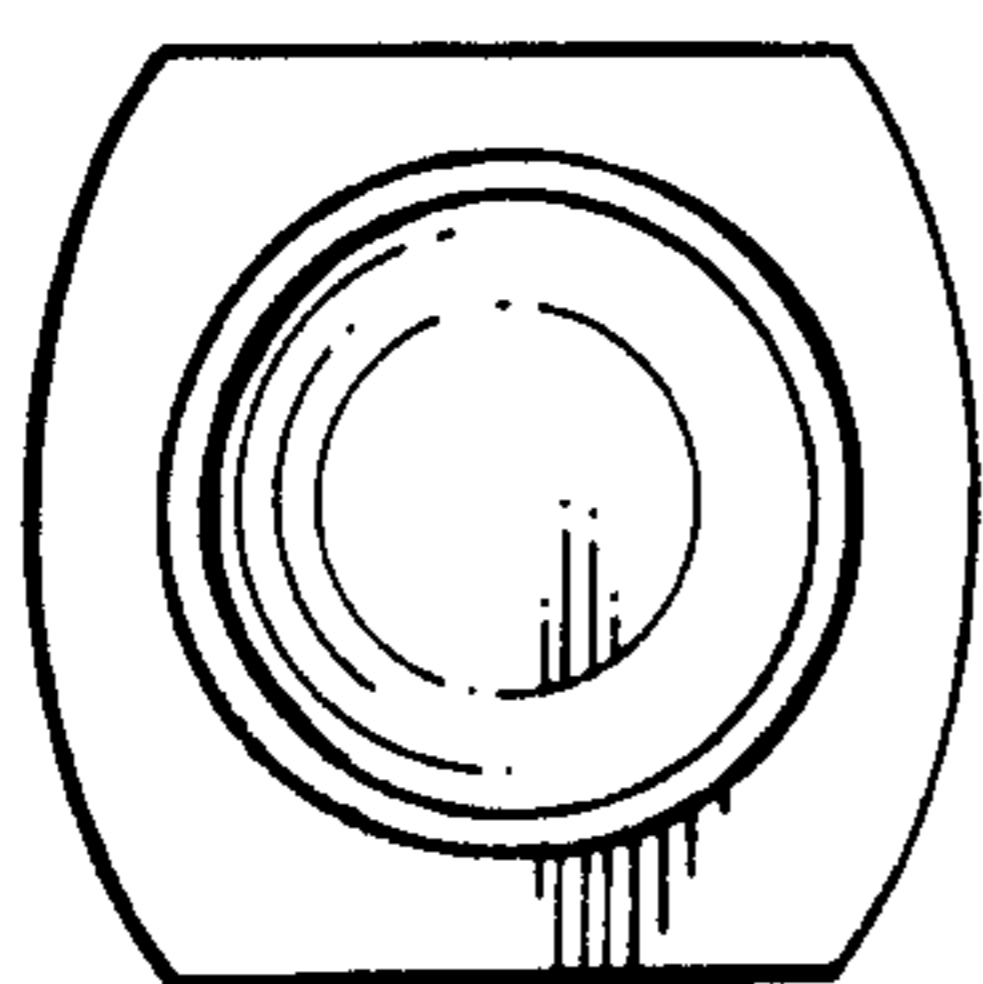


FIG. 2

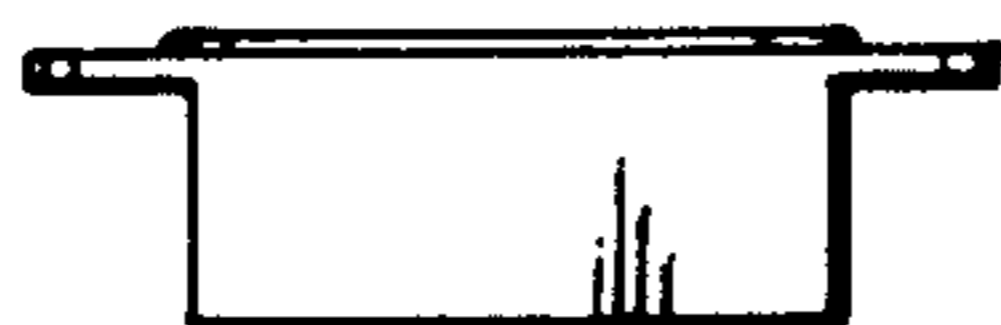


FIG. 3

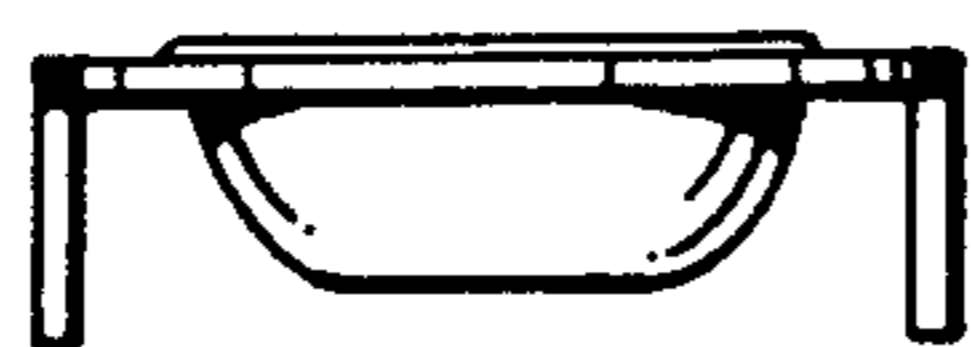


FIG. 4

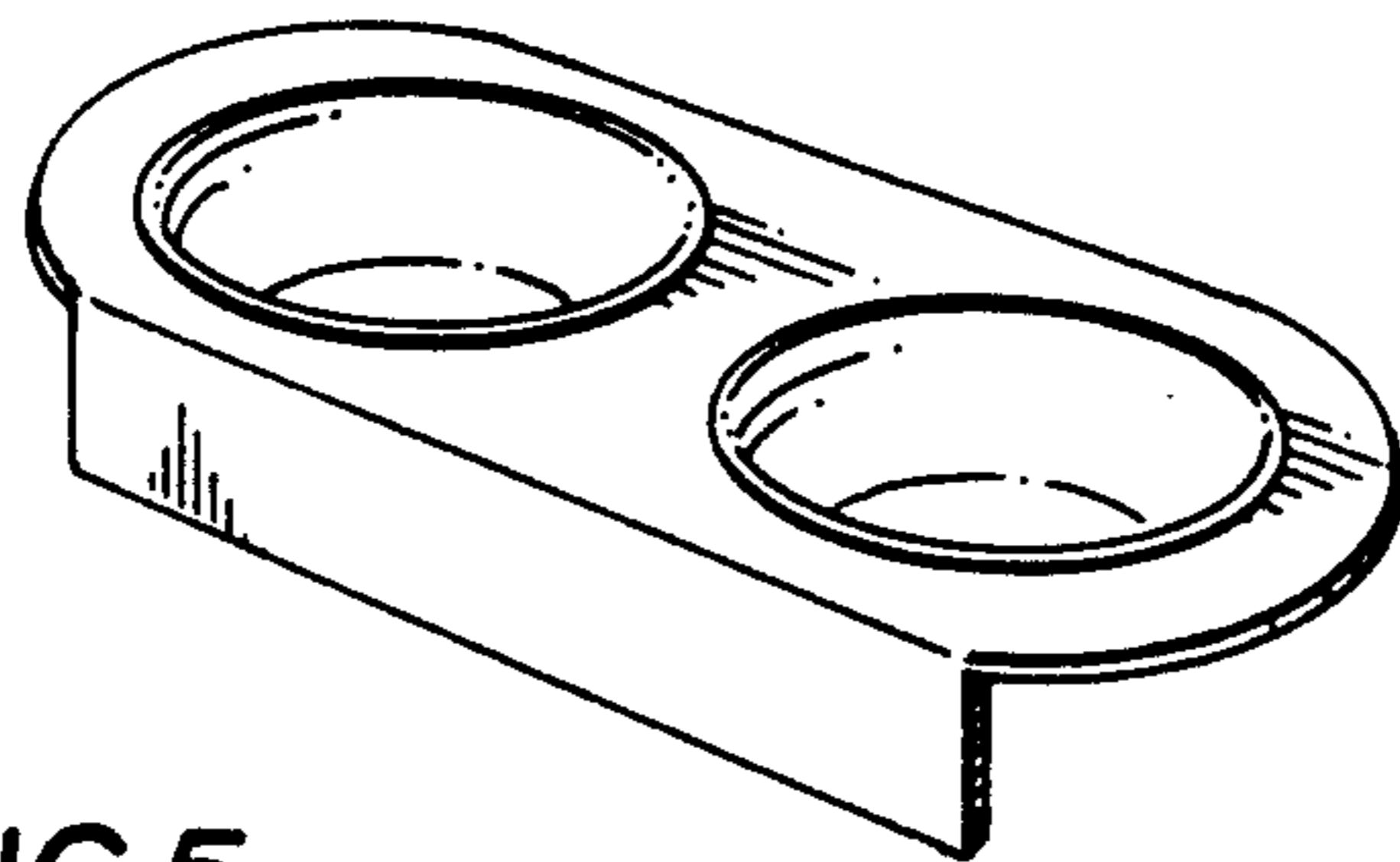


FIG. 5

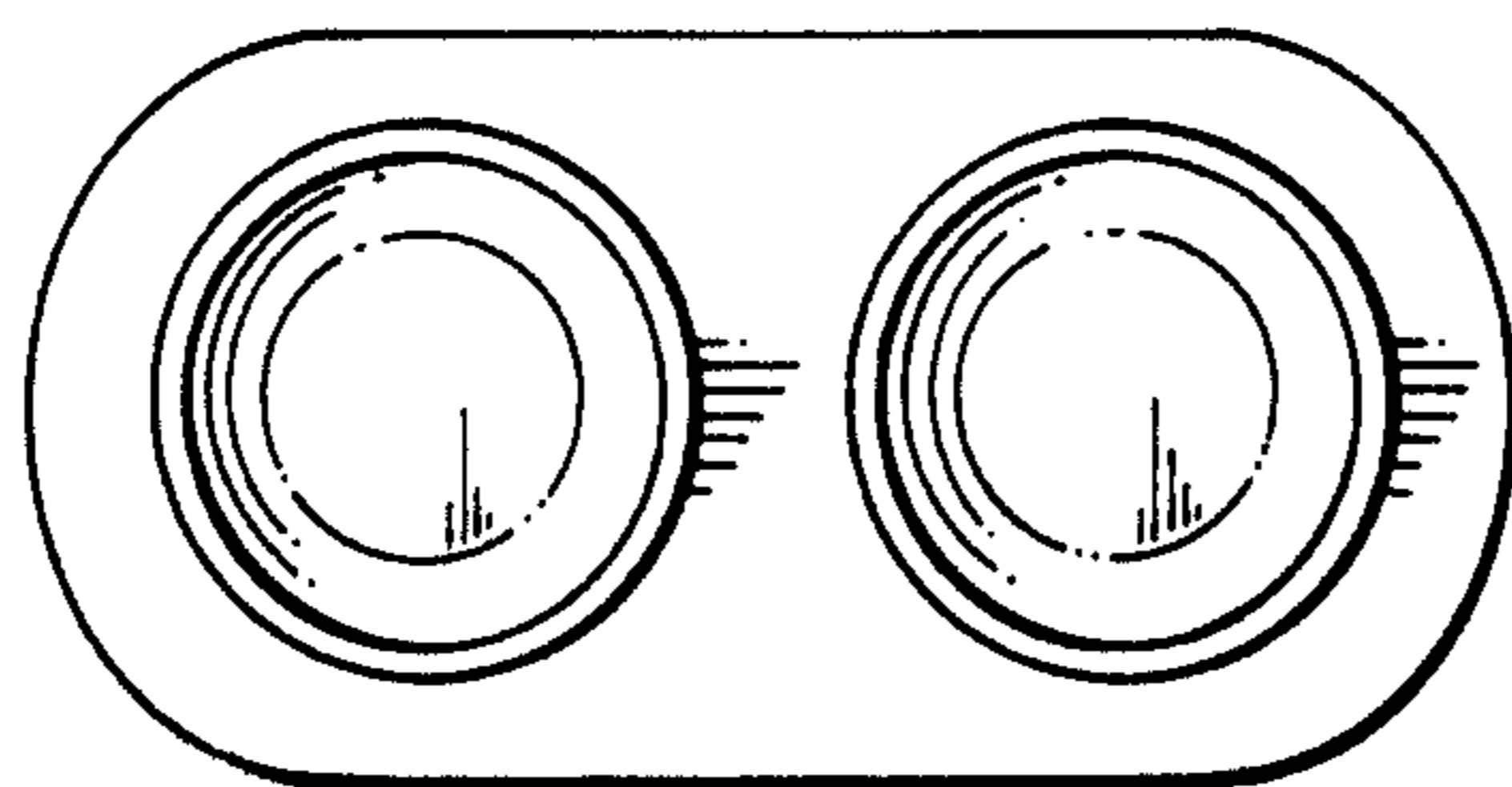


FIG. 6

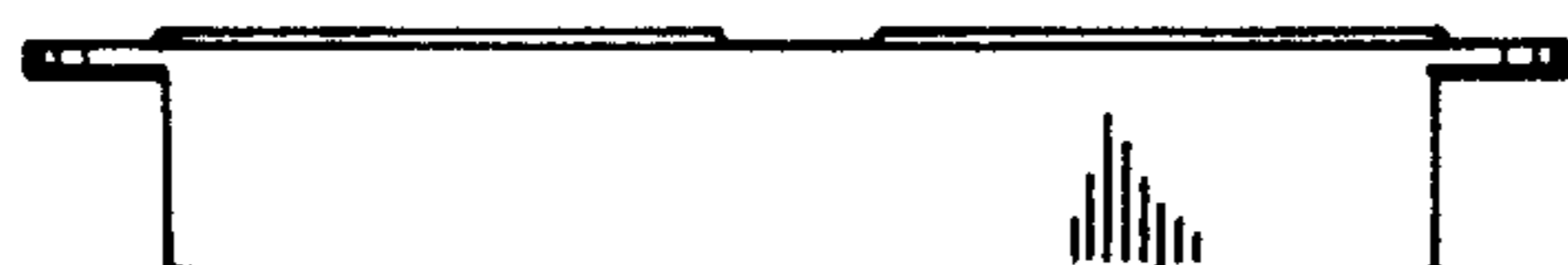


FIG. 7

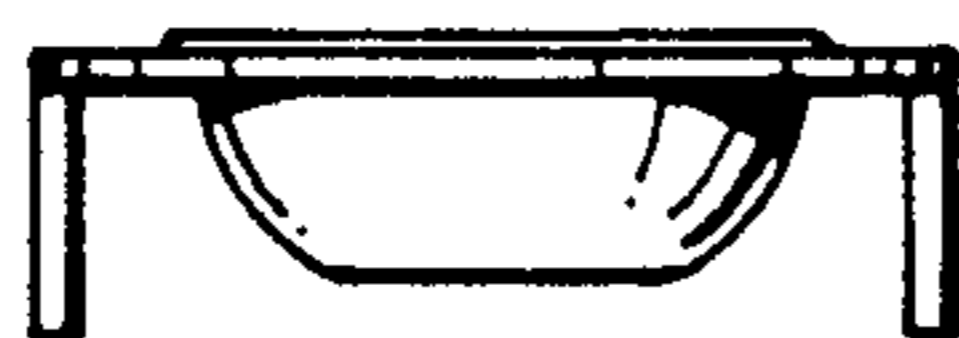


FIG. 8