

[54] EXAMINATION LIGHT

[75] Inventor: Thomas Brendgord, Erie, Pa.

[73] Assignee: American Sterilizer Company, Erie, Pa.

[**] Term: 14 Years

[21] Appl. No.: 19,269

[22] Filed: Mar. 9, 1979

[51] Int. Cl. D26-05

[52] U.S. Cl. D26/65

[58] Field of Search D26/24, 60, 61, 62, D26/65, 66, 118, 128, 130, 131, 133, 134, 135; 362/217, 218, 219, 220, 222, 224, 225, 227, 236, 235, 240, 242, 244, 245, 246, 249, 263, 264, 269, 296, 297, 341-347, 311, 410, 412, 413, 414, 416, 417, 426, 427

[56] References Cited

U.S. PATENT DOCUMENTS

| | | | |
|------------|---------|----------------|-----------|
| D. 207,549 | 5/1967 | Bodian | D26/61 X |
| D. 220,119 | 3/1971 | Glickman | D26/60 |
| 2,911,525 | 11/1959 | Strom | 362/418 X |

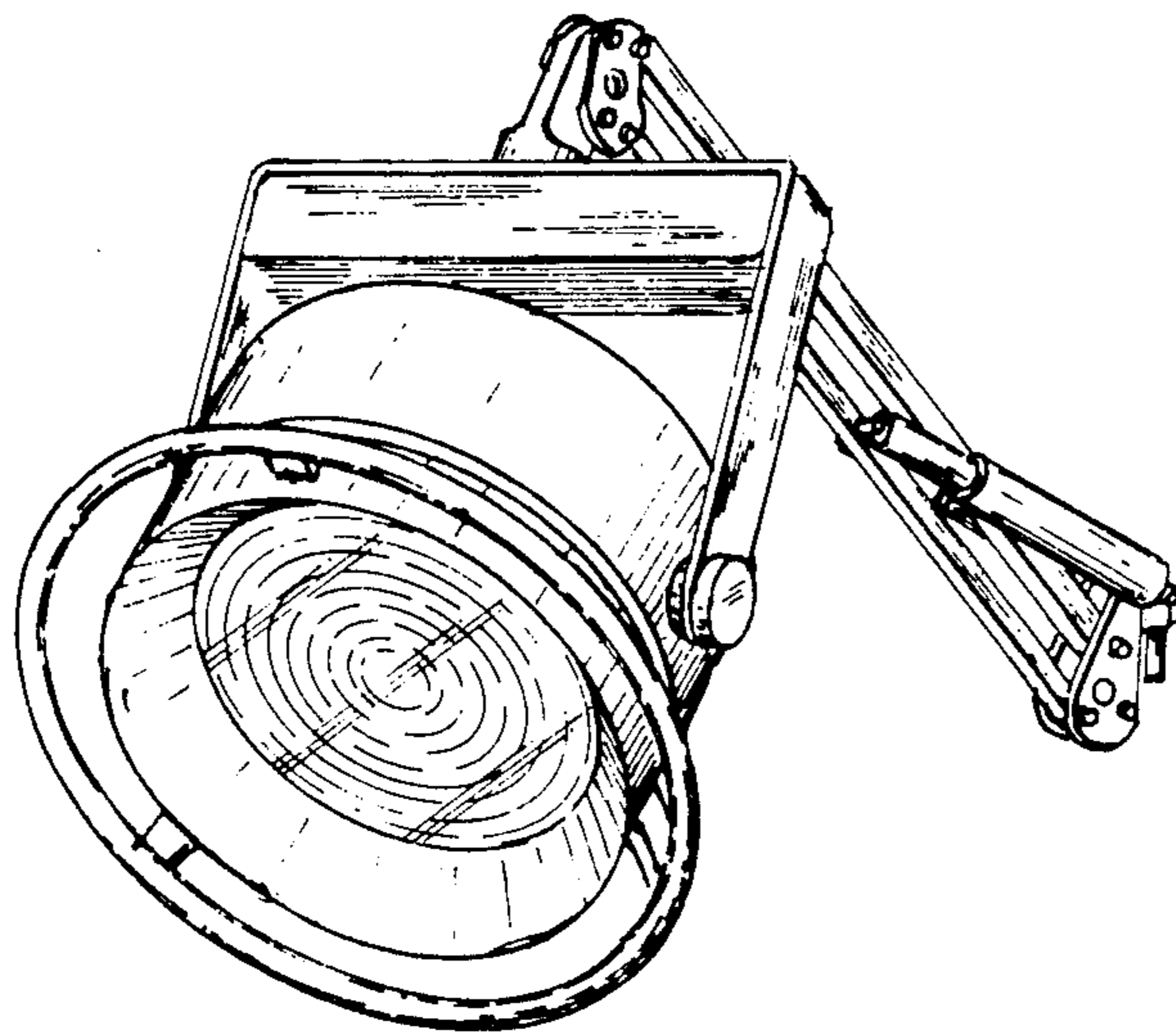
Primary Examiner—Susan J. Lucas
Attorney, Agent, or Firm—Robert D. Yeager

[57] CLAIM

The ornamental design for an examination light, substantially as shown and described.

DESCRIPTION

FIG. 1 is a perspective view of an examination light embodying my new design;
FIG. 2 is a top plan view of an examination light embodying my new design;
FIG. 3 is a side elevational view of the examination light shown in FIG. 2, the opposite side view being identical but with the ends reversed;
FIG. 4 is a bottom plan view of the examination light shown in FIG. 2; and,
FIG. 5 is an end elevational view of the examination light shown in FIG. 2 as viewed from the left.



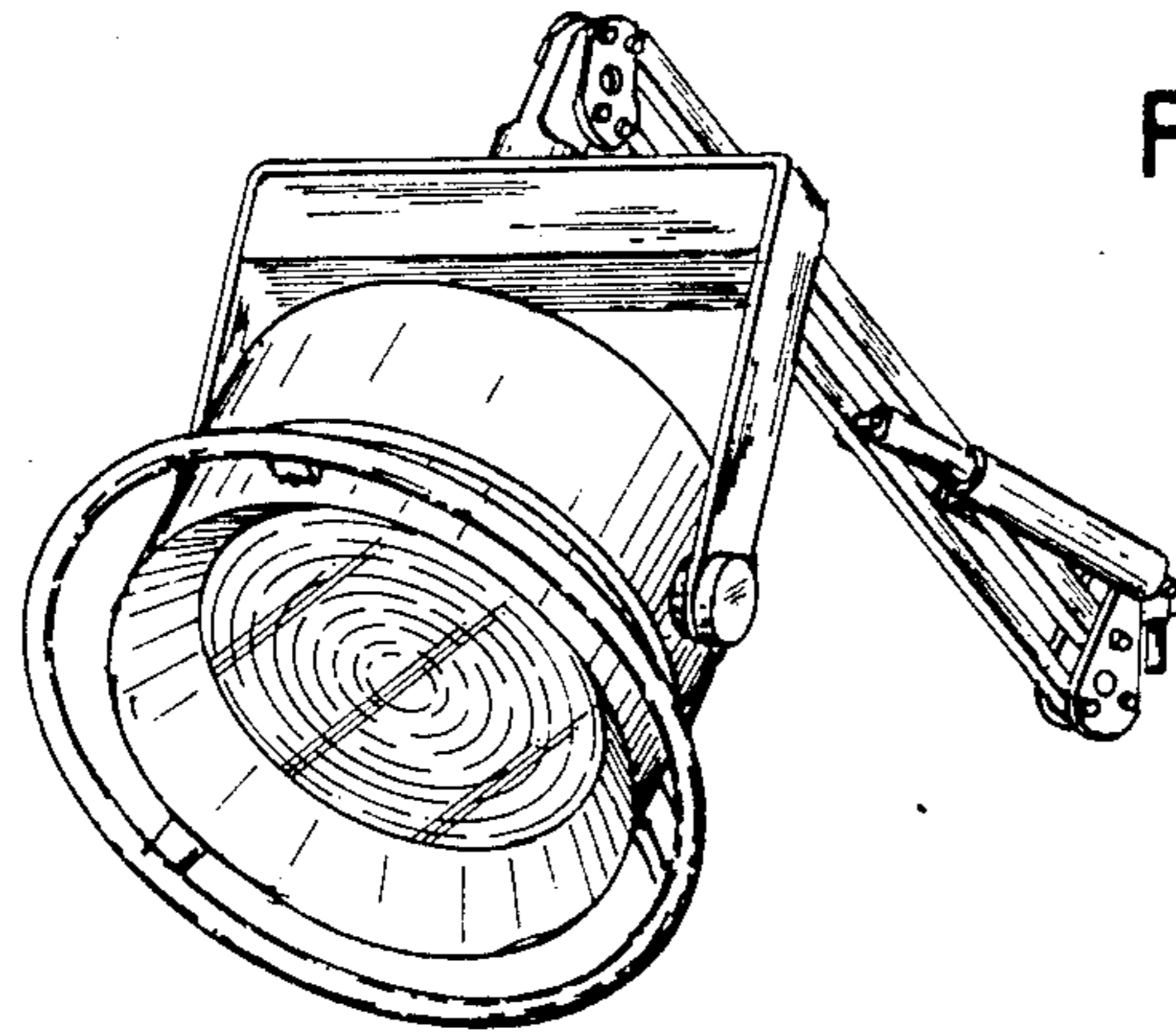


Fig. 1.

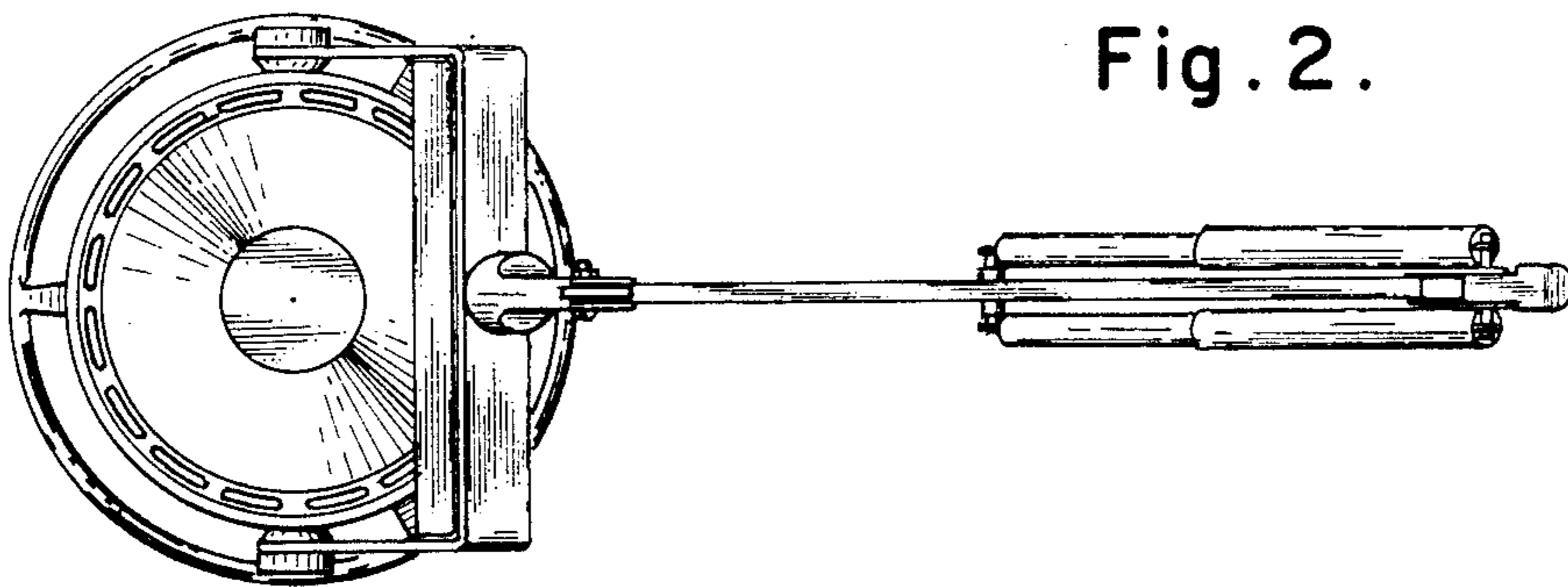


Fig. 2.

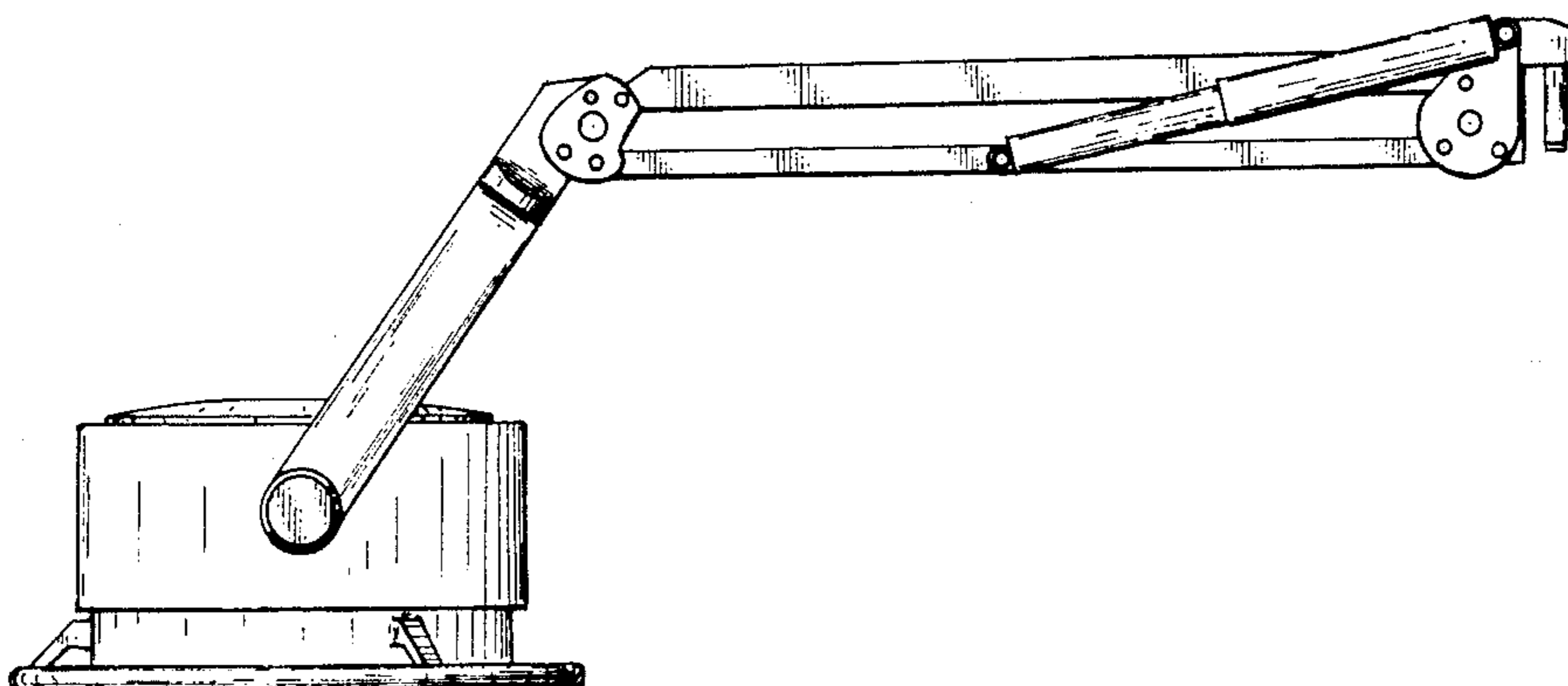


Fig. 3.

Fig. 4.

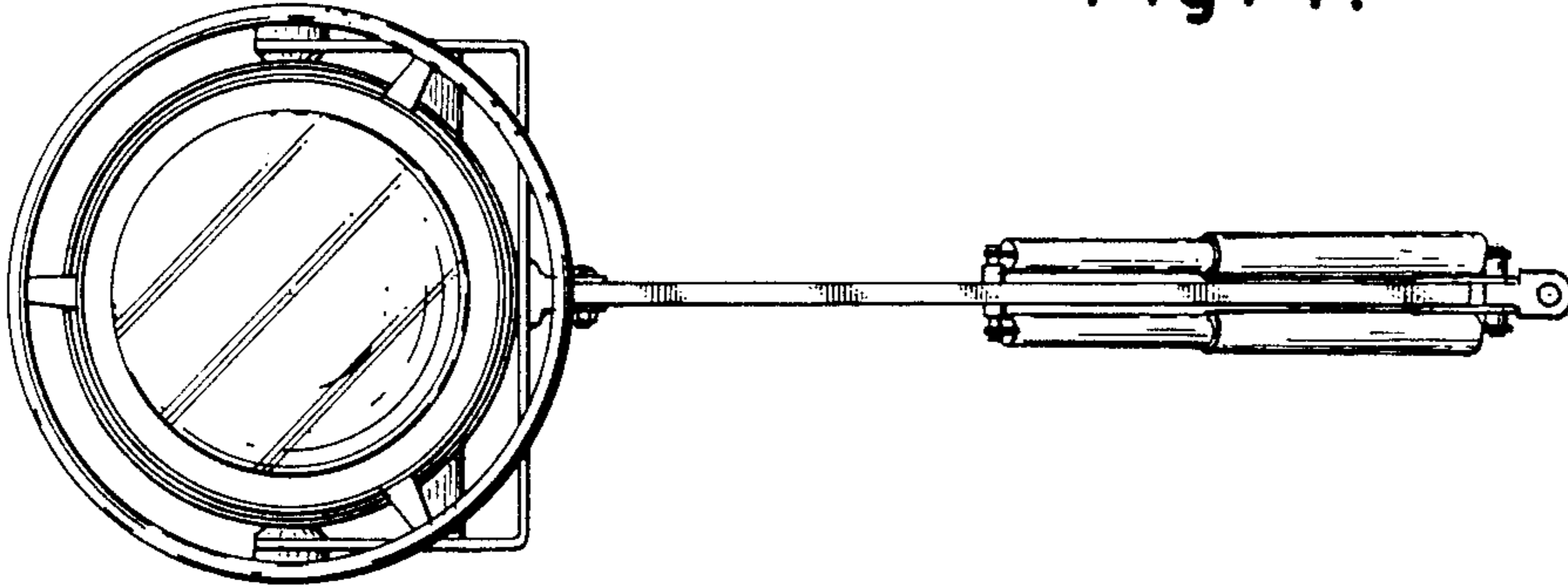


Fig. 5.

