

[54] TRANSLUCENT INTERLOCKING PANEL MEMBER FOR CEILINGS OR THE LIKE

[75] Inventor: Edward J. Maresca, Fort Lauderdale, Fla.
[73] Assignee: Cal-Mar Industries, Inc., Miami, Fla.
[**] Term: 14 Years
[21] Appl. No.: 93,394
[22] Filed: Nov. 13, 1979

[51] Int. Cl. D25-01
[52] U.S. Cl. D25/91
[58] Field of Search 52/306, 308, 337, 484, 52/485, 489, 593; D25/80, 87, 88, 91, 92; D26/80

References Cited

U.S. PATENT DOCUMENTS

D. 234,504 3/1975 Groff D25/92
D. 246,057 10/1977 Maresca D25/91
2,232,276 2/1941 Schepmoes D26/80 X
3,745,327 7/1973 Lowery et al. D26/80 X

FOREIGN PATENT DOCUMENTS

1199073 6/1959 France 52/306
618815 3/1961 Italy 52/593
170451 2/1960 Sweden 52/306

Primary Examiner—A. Hugo Word
Attorney, Agent, or Firm—Oltman and Flynn

[57] CLAIM

The ornamental design for a translucent interlocking panel member for ceilings or the like, as shown and described.

DESCRIPTION

FIG. 1 is a perspective view of the panel member, viewed from below;
FIG. 2 is a top plan view of the panel member;
FIG. 3 is a bottom plan view;
FIG. 4 is a front elevation; and
FIG. 5 is a side elevation of the panel member taken from the left side of FIGS. 1, 2 and 3.
The rear of the panel member is identical to the left side, and the right side is identical to the front.

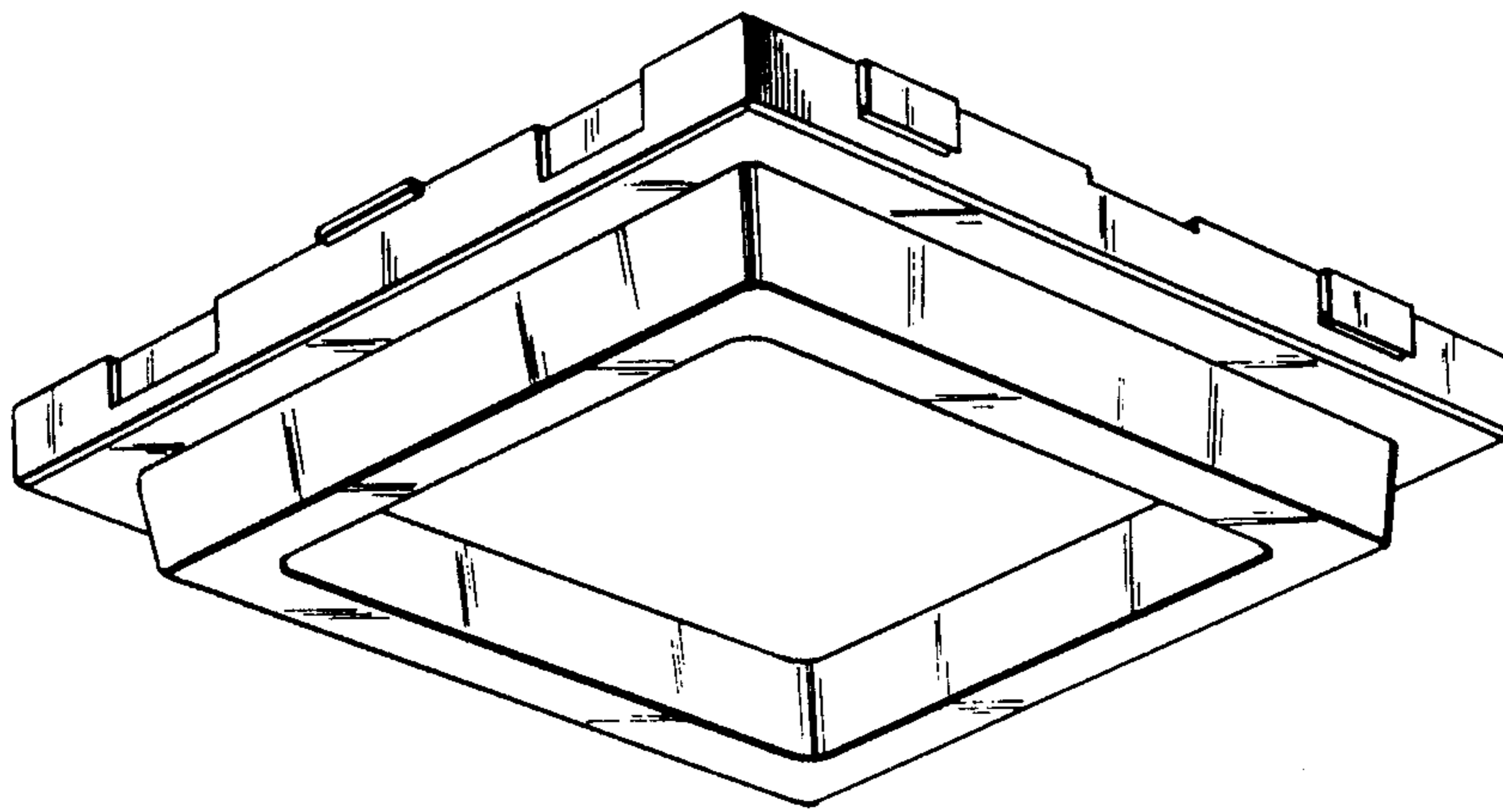


Fig. 1

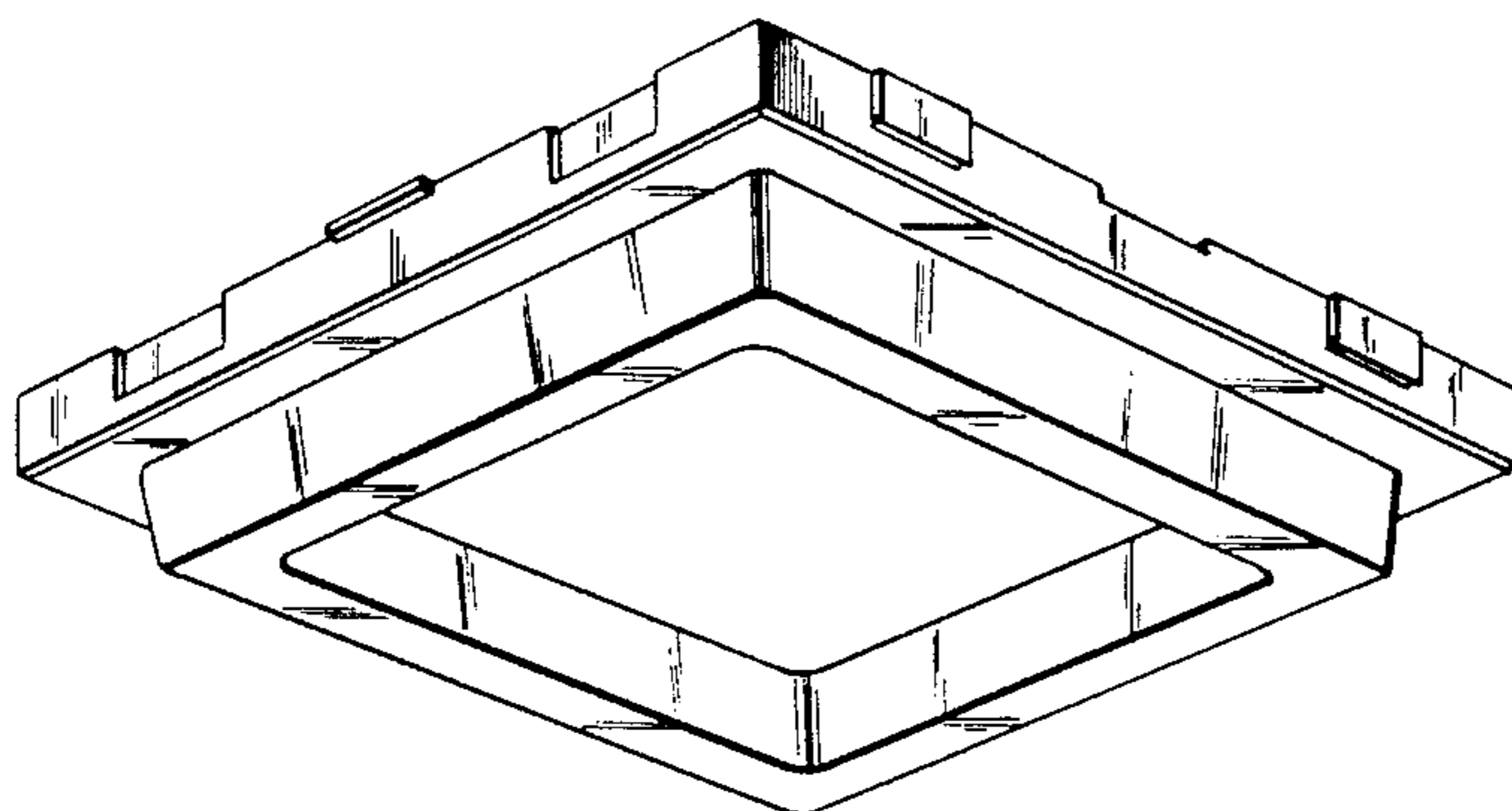


Fig. 2

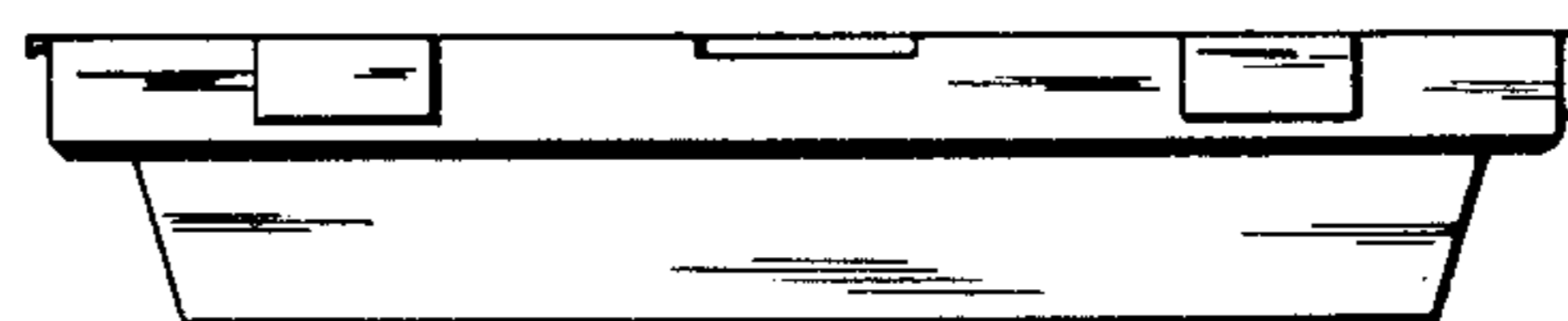
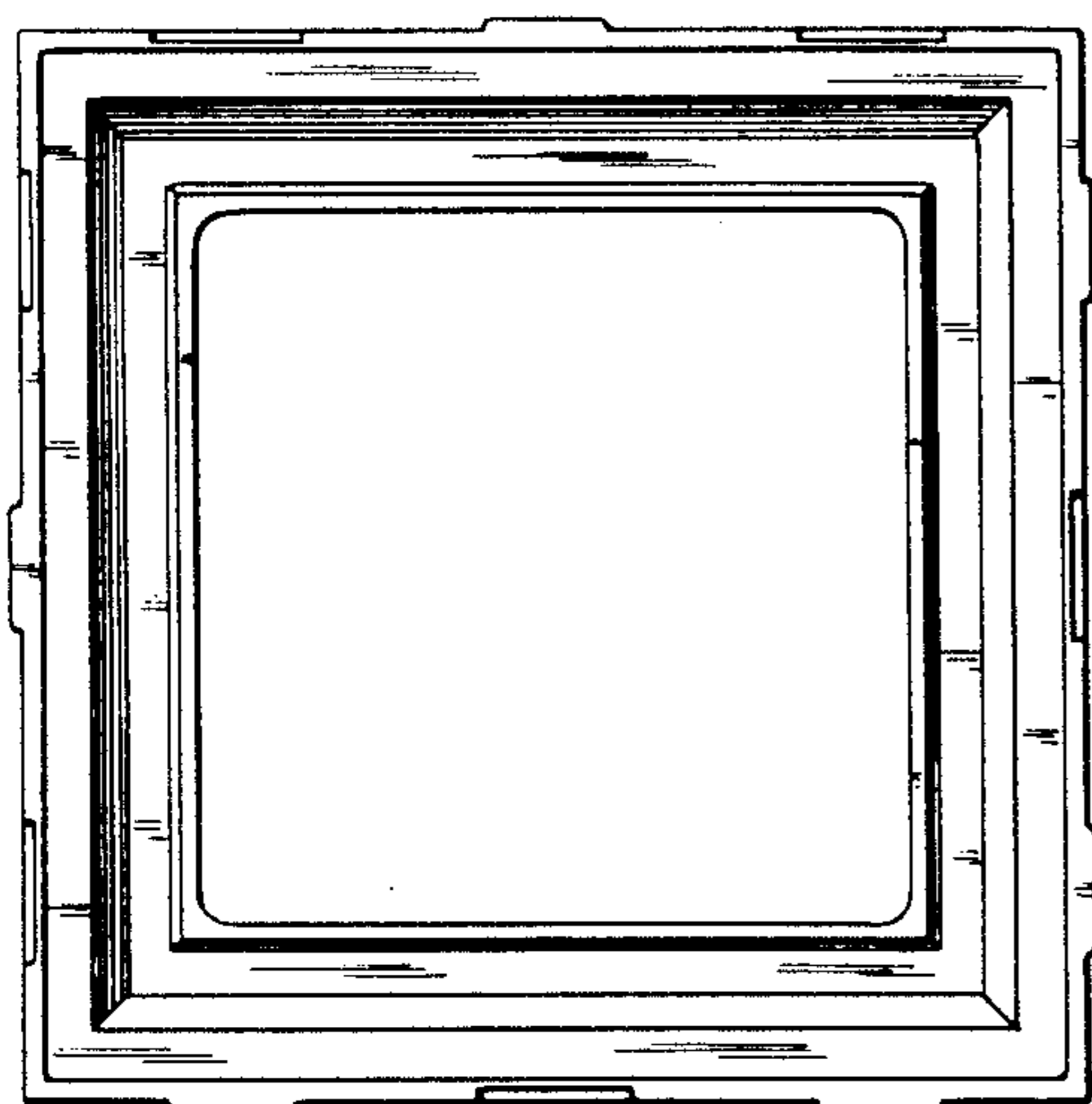


Fig. 4

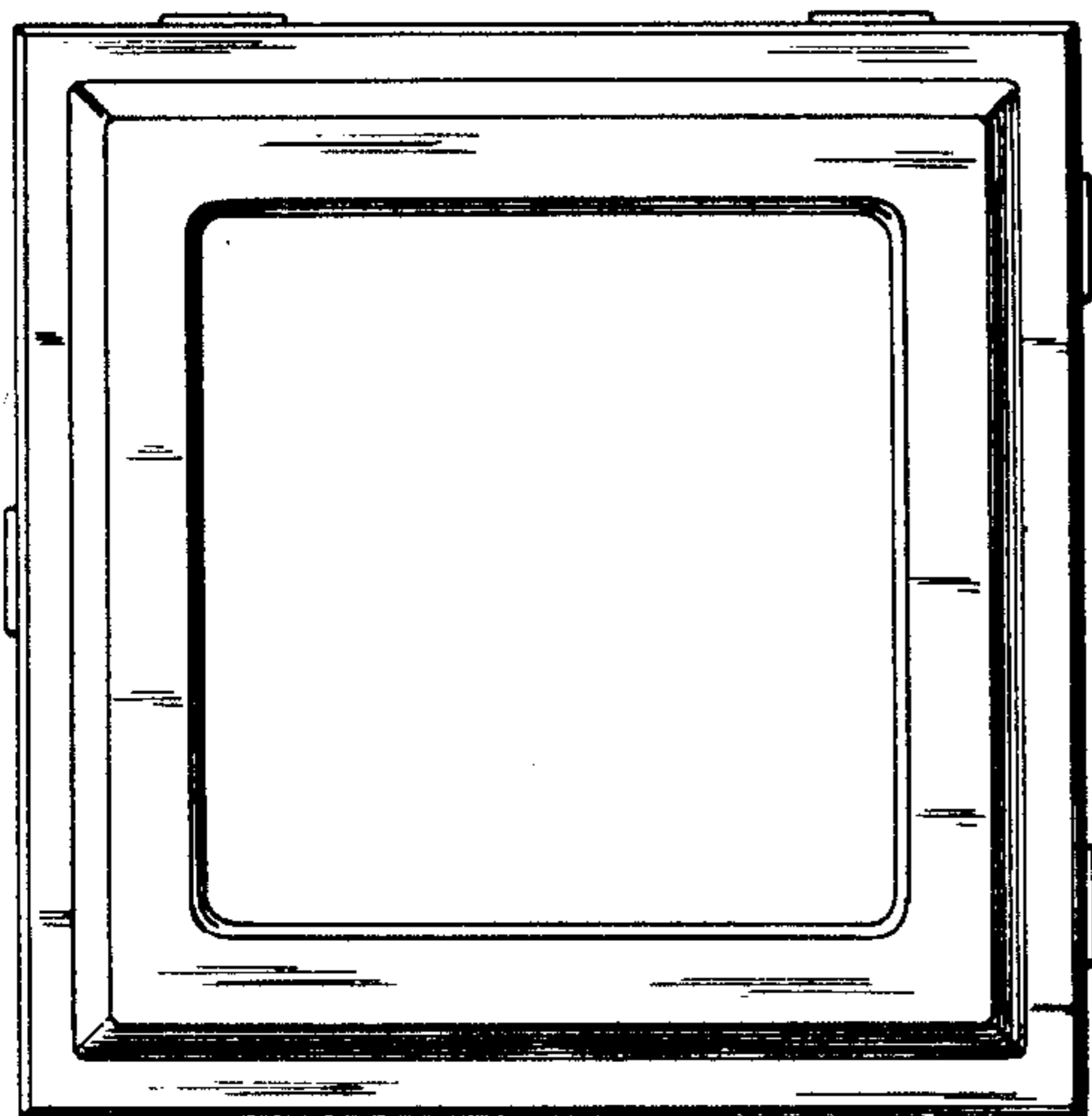


Fig. 3

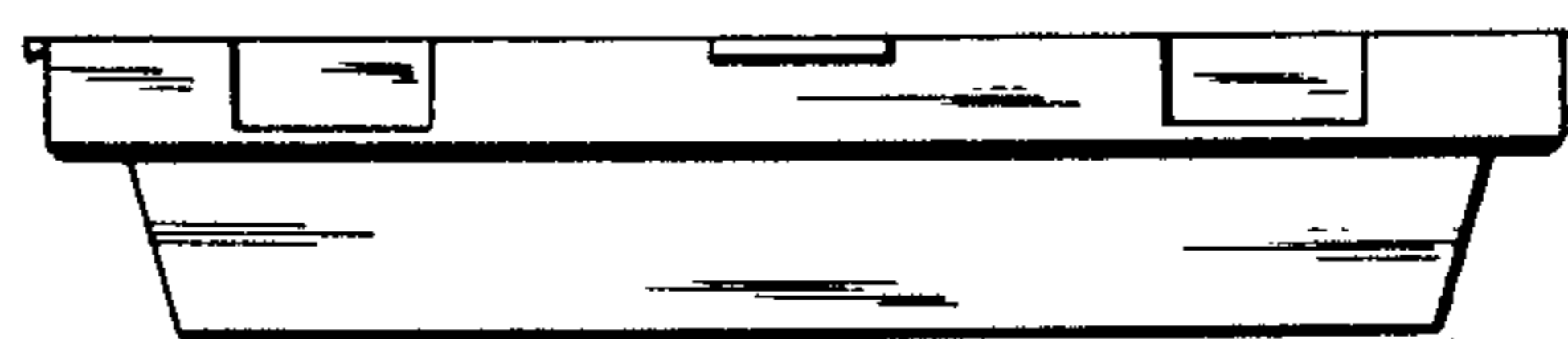


Fig. 5