

[54] **TRANSLUCENT INTERLOCKING PANEL MEMBER FOR CEILING OR THE LIKE**

3,745,327 7/1973 Lowery et al. .... D26/80 X

[75] Inventor: **Edward J. Maresca**, Fort Lauderdale, Fla.

**FOREIGN PATENT DOCUMENTS**

1199073 6/1959 France ..... 52/306  
618815 3/1961 Italy ..... 52/593  
170451 2/1960 Sweden ..... 52/306

[73] Assignee: **Cal-Mar Industries, Inc.**, Miami, Fla.

*Primary Examiner*—A. Hugo Word  
*Attorney, Agent, or Firm*—Oltman and Flynn

[\*\*] Term: **14 Years**

[57] **CLAIM**

[21] Appl. No.: **93,393**

The ornamental design for a translucent interlocking panel member for ceilings or the like, as shown and described.

[22] Filed: **Nov. 13, 1979**

[51] Int. Cl. .... **D25—01**

[52] U.S. Cl. .... **D25/91**

[58] Field of Search ..... 52/306, 308, 337, 484, 52/485, 489, 593, 633, 660; D25/80, 87, 88, 91, 92; D26/80

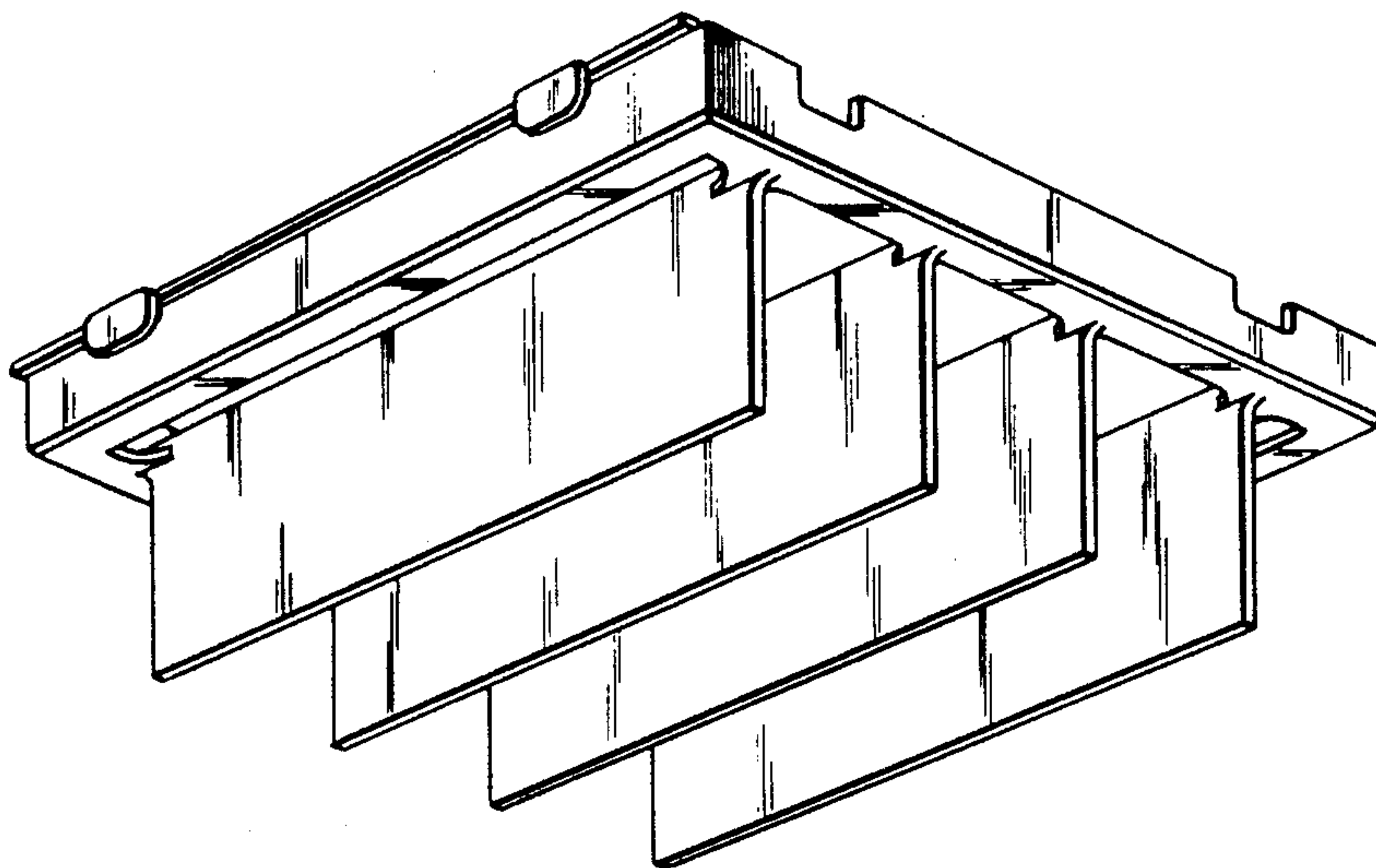
**DESCRIPTION**

FIG. 1 is a perspective view of the panel member, viewed from below;  
FIG. 2 is a top plan view of the panel member;  
FIG. 3 is a bottom plan view;  
FIG. 4 is a front elevation;  
FIG. 5 is a rear elevation;  
FIG. 6 is a side elevation of the panel member taken from the left side of FIGS. 1, 2 and 3; and  
FIG. 7 is a side elevation of the panel member taken from the right side of FIGS. 1, 2 and 3.

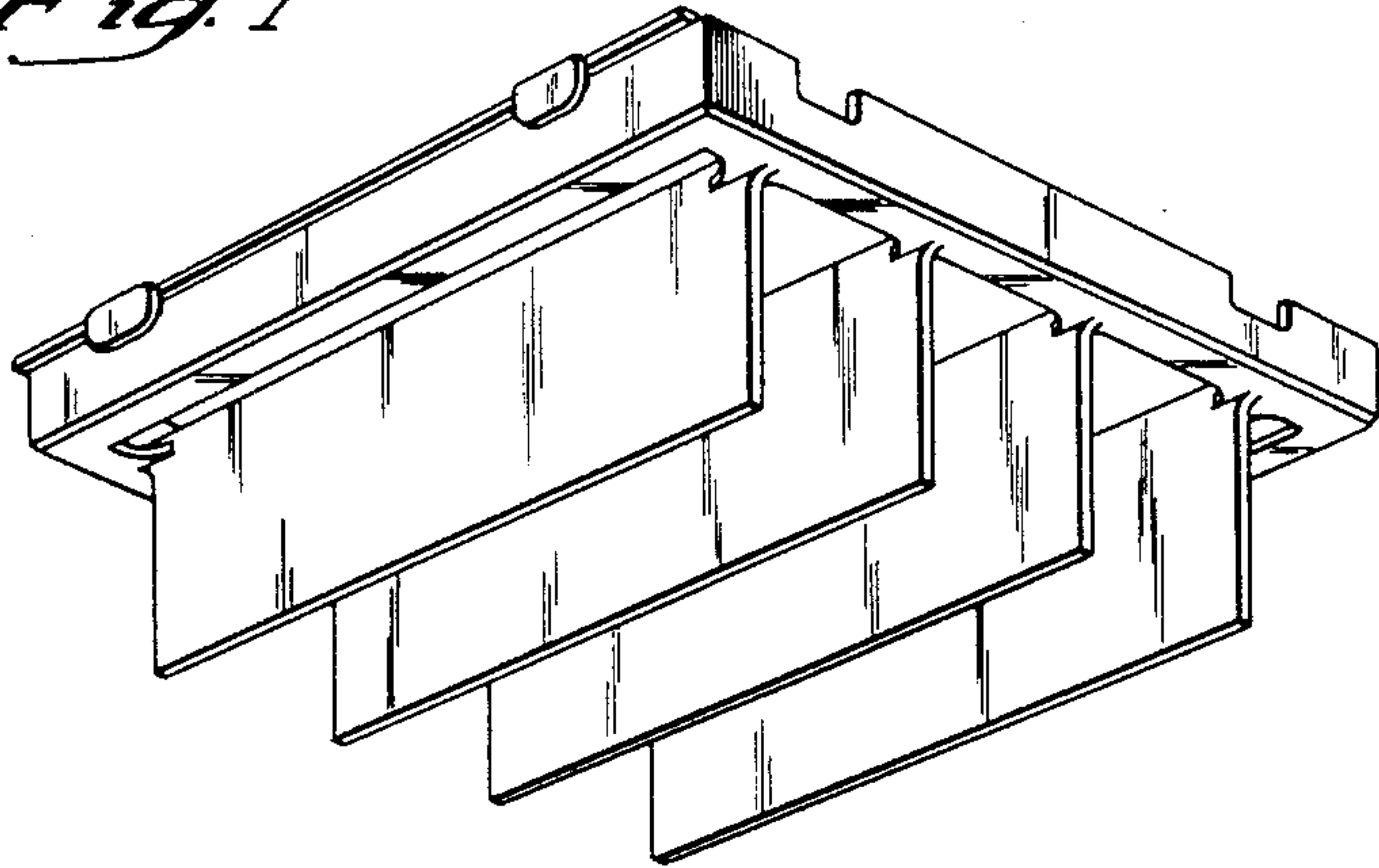
[56] **References Cited**

**U.S. PATENT DOCUMENTS**

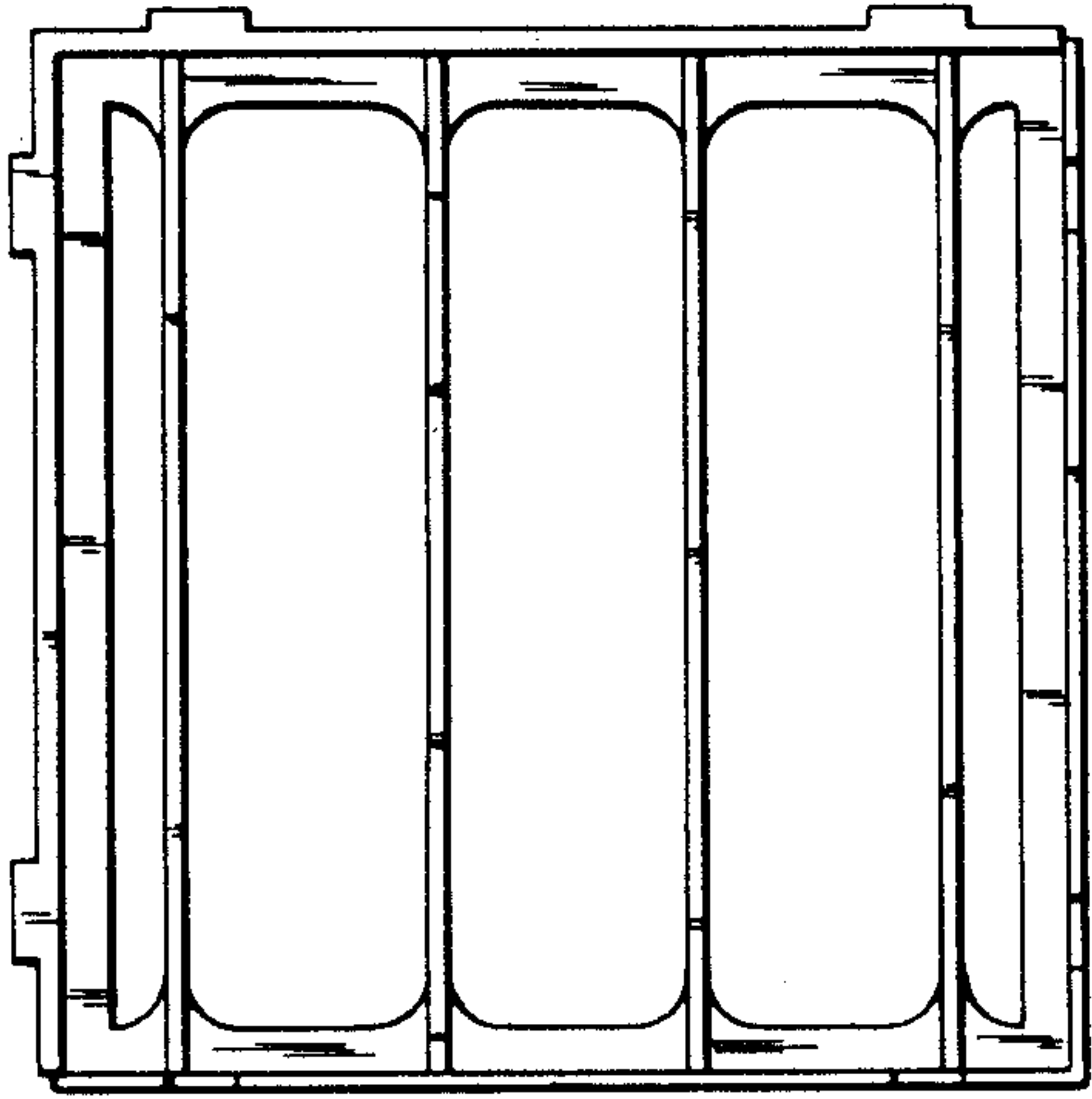
D. 234,504	3/1975	Groff .....	D25/92
D. 246,057	10/1977	Maresca .....	D25/91
2,232,276	2/1941	Schepmoes .....	D26/80 X
2,870,883	1/1959	Deaton .....	52/633
3,181,274	5/1965	Izenour .....	D25/80 X



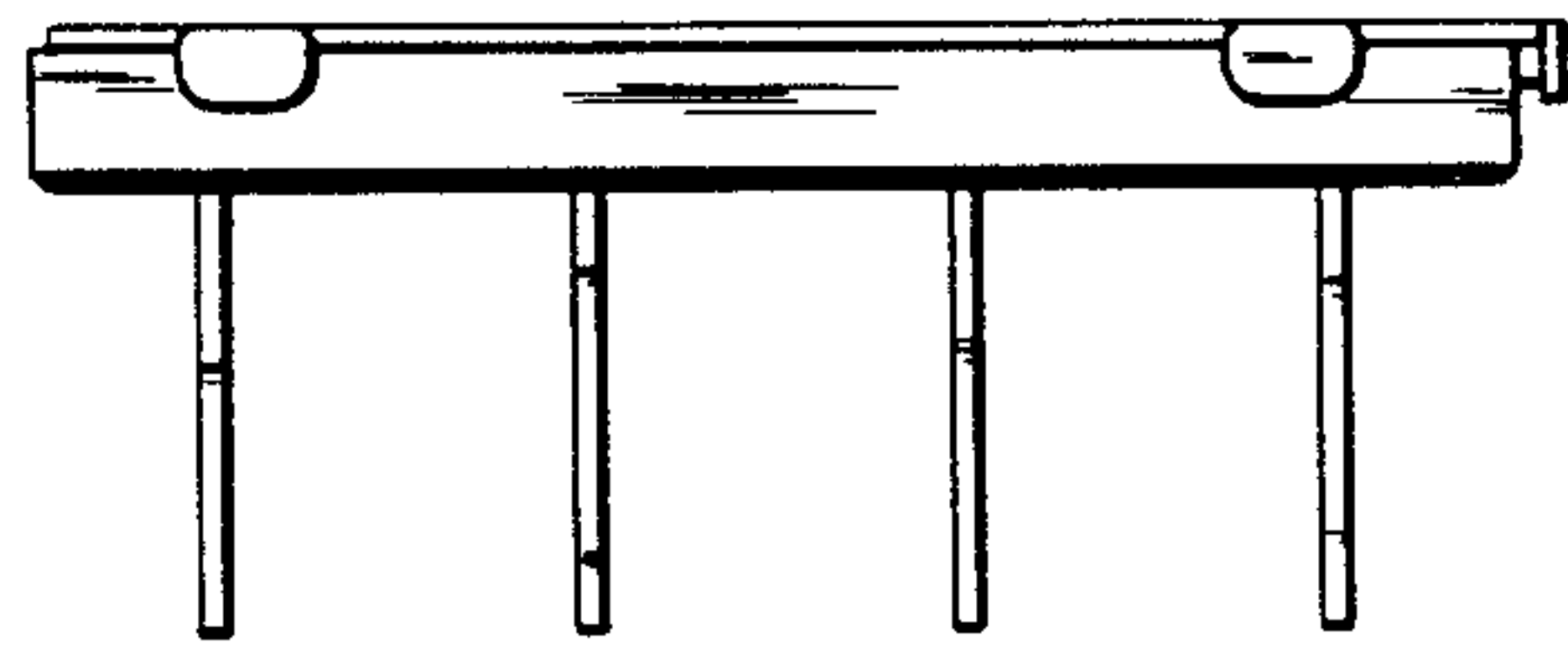
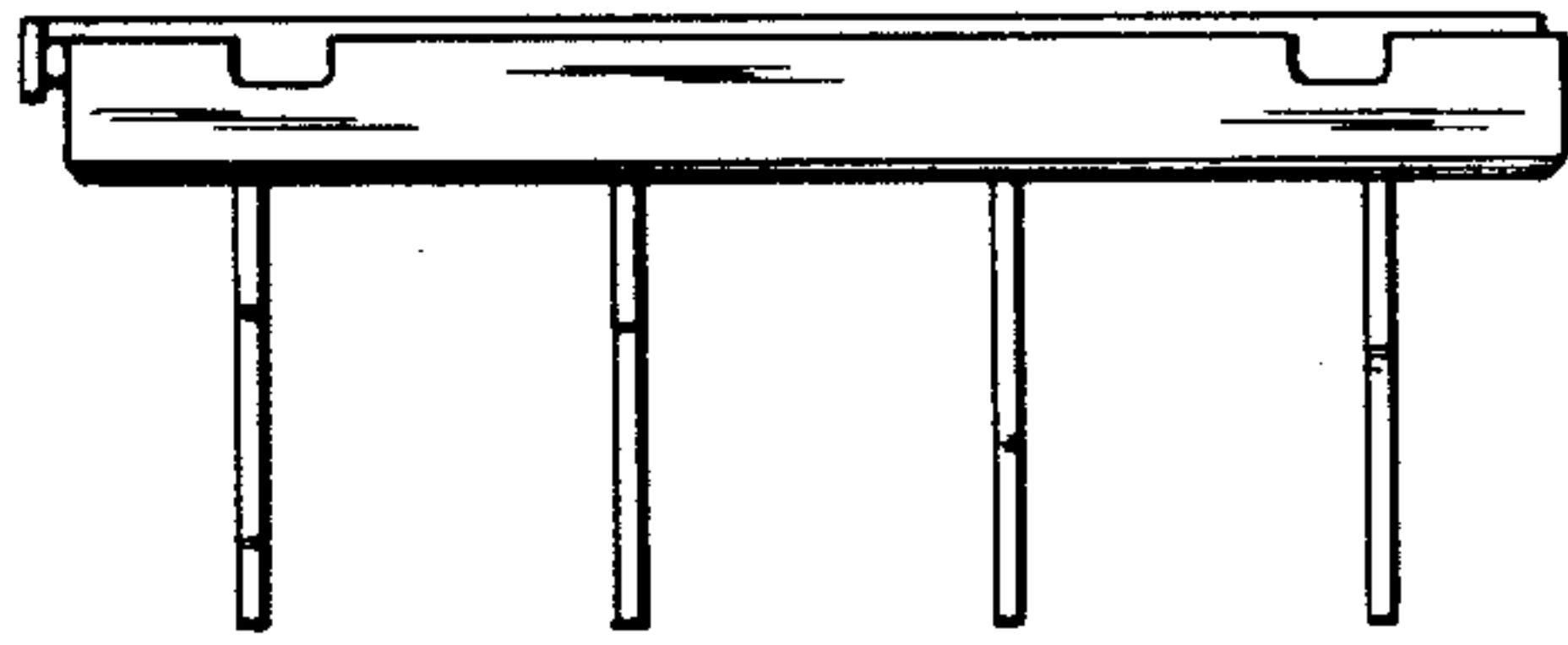
*Fig. 1*



*Fig. 2*

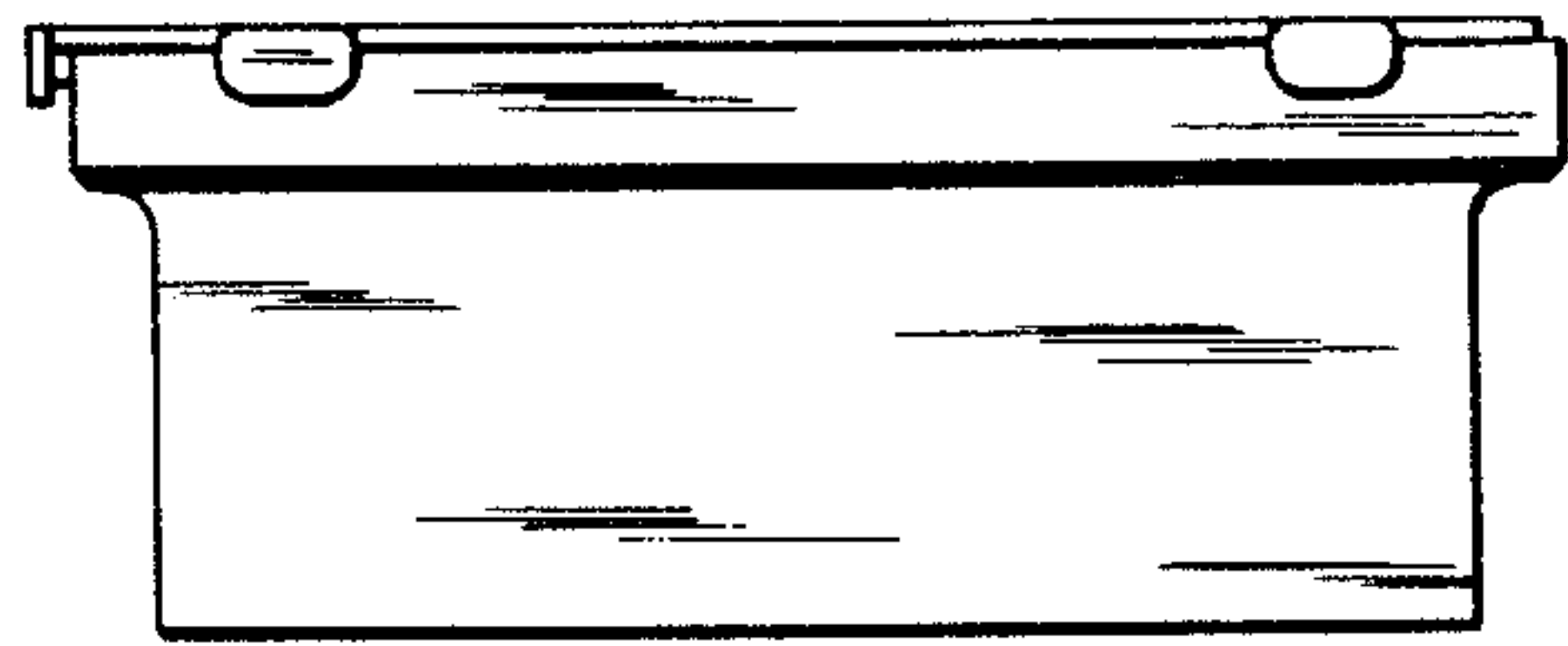
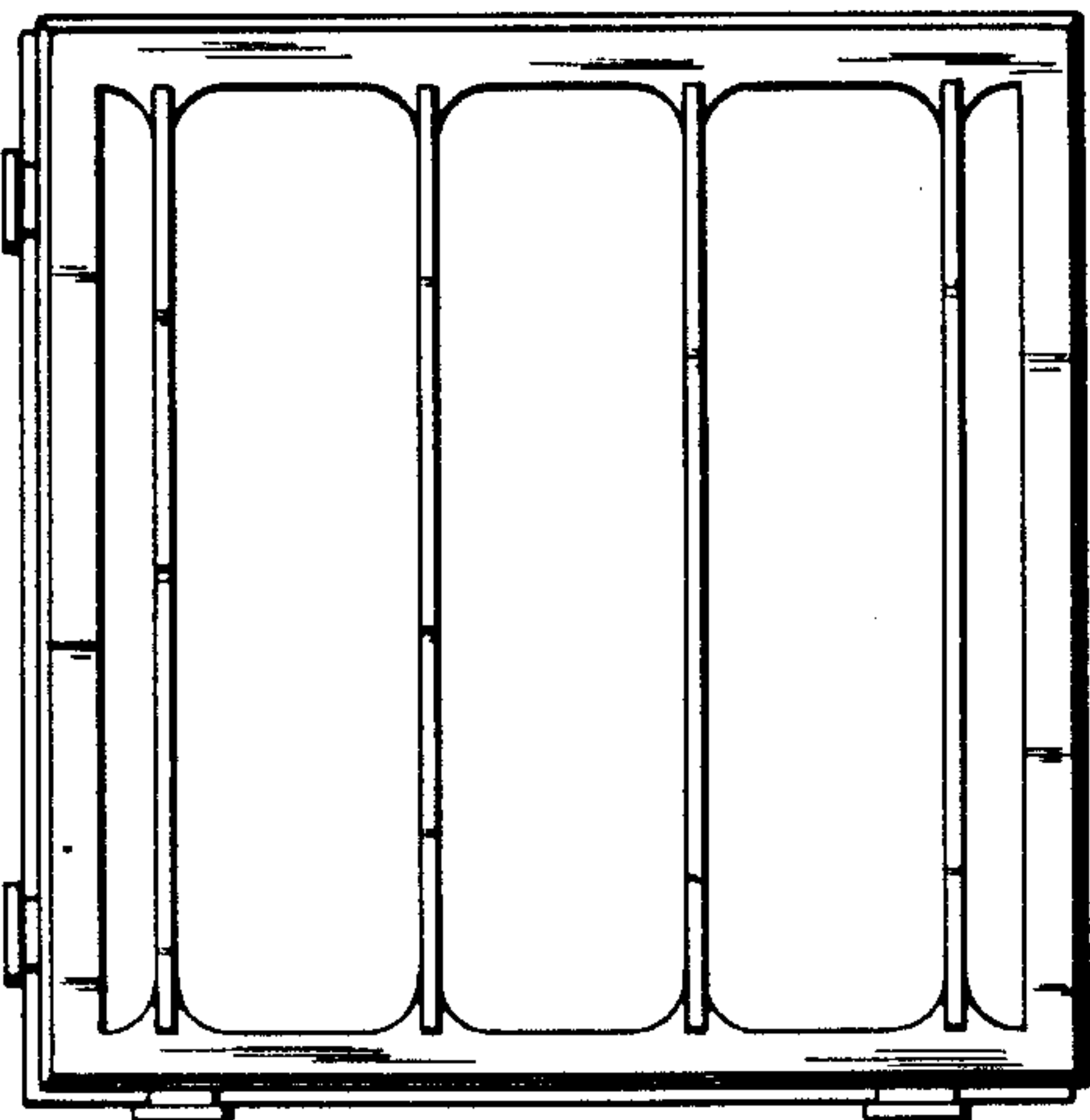


*Fig. 4*

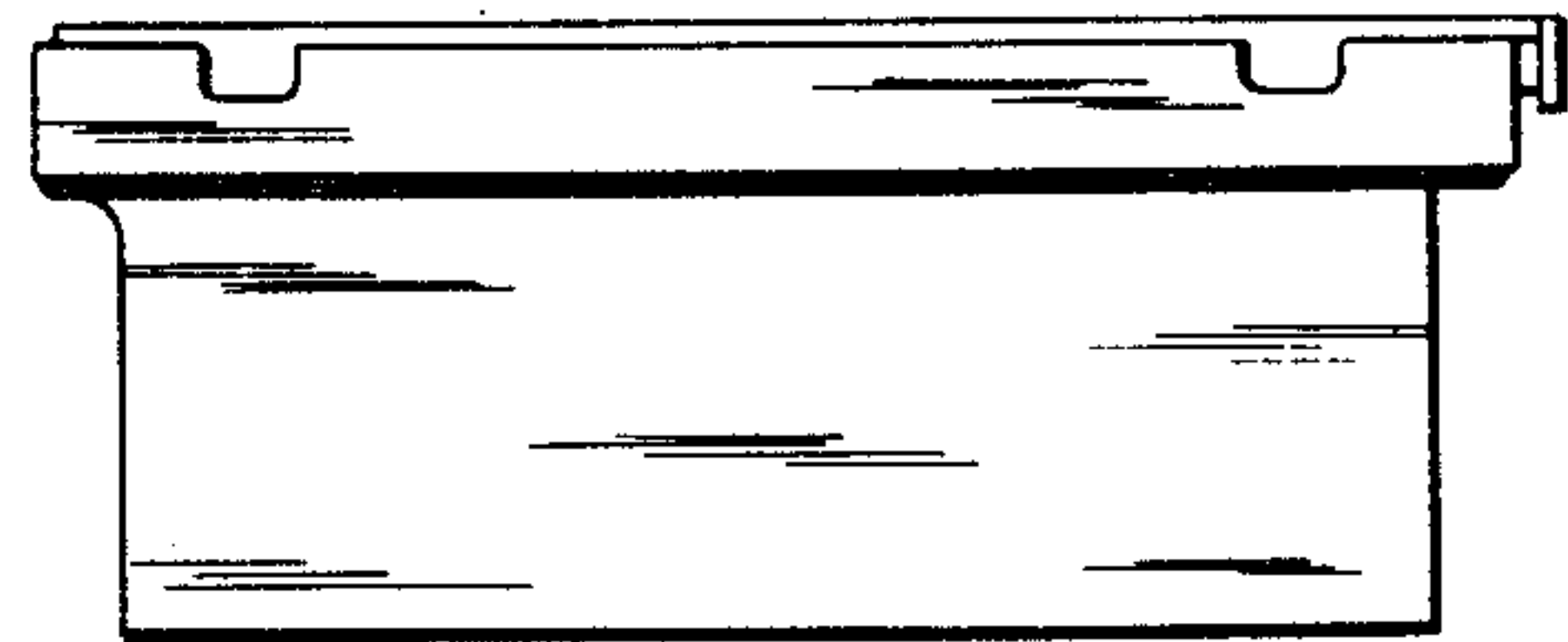


*Fig. 5*

*Fig. 3*



*Fig. 6*



*Fig. 7*