

[54] CEILING PANEL ELEMENT

[75] Inventor: Cornelis B. de Ruiter, Dordrecht, Netherlands

[73] Assignee: Hunter Douglas N.V., Curacao, Netherlands Antilles

[**] Term: 14 Years

[21] Appl. No.: 959,160

[22] Filed: Nov. 9, 1978

[30] Foreign Application Priority Data

May 16, 1978 [XB] Benelux 5273501
May 16, 1978 [XB] Benelux 5273502

[51] Int. Cl. D25-01

[52] U.S. Cl. D25/74

[58] Field of Search 52/530, 145, 732, 73 R, 52/484, 485; D25/73, 74, 75, 76, 77, 78, 79

[56] References Cited

U.S. PATENT DOCUMENTS

2,568,469 9/1951 Sunderhauf 52/530 X
3,029,914 4/1962 Macomber 52/732
3,545,154 12/1970 Bobzin et al. D25/75 X

OTHER PUBLICATIONS

Dahlstrom Metal Mouldings and Shapes Catalog No. 11, p. 102, Item 558.
Van Huffel Catalog L-56, published Jan. 1953, p. 33, Item 2050/.037.

Primary Examiner—A. Hugo Word
Attorney, Agent, or Firm—Pennie & Edmonds

[57] CLAIM

The ornamental design for a ceiling panel element, substantially as shown and described.

DESCRIPTION

FIG. 1 is a perspective view from below of the panel of this invention;
FIG. 2 is an end elevation of the ceiling panel of FIG. 1 with both end elevations being the same;
FIG. 3 is a side elevation of the panel of FIG. 1 with both sides being the same;
FIG. 4 is a top plan view of the panel of FIG. 1;
FIG. 5 is a bottom plan view of the panel of FIG. 1;
FIG. 6 is a view like FIG. 1 of a slightly modified form of the ceiling panel of this invention;
FIG. 7 is an end elevation of the panel of FIG. 6 with both ends being the same;
FIG. 8 is a side elevation of the panel of FIG. 6 with both sides being the same;
FIG. 9 is a top plan view of the panel of FIG. 6; and
FIG. 10 is a bottom plan view of the ceiling panel of FIG. 6.

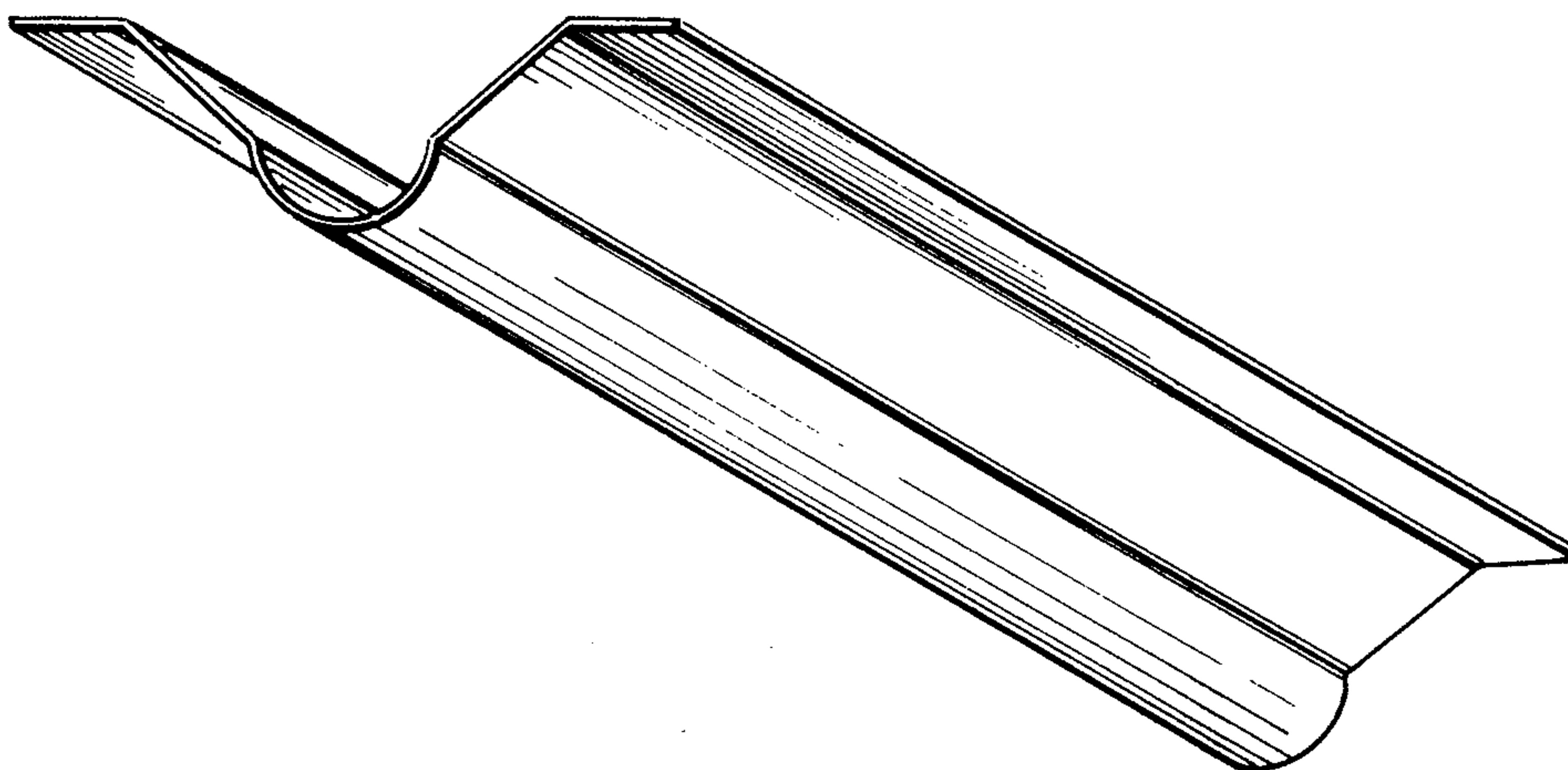


FIG. 1

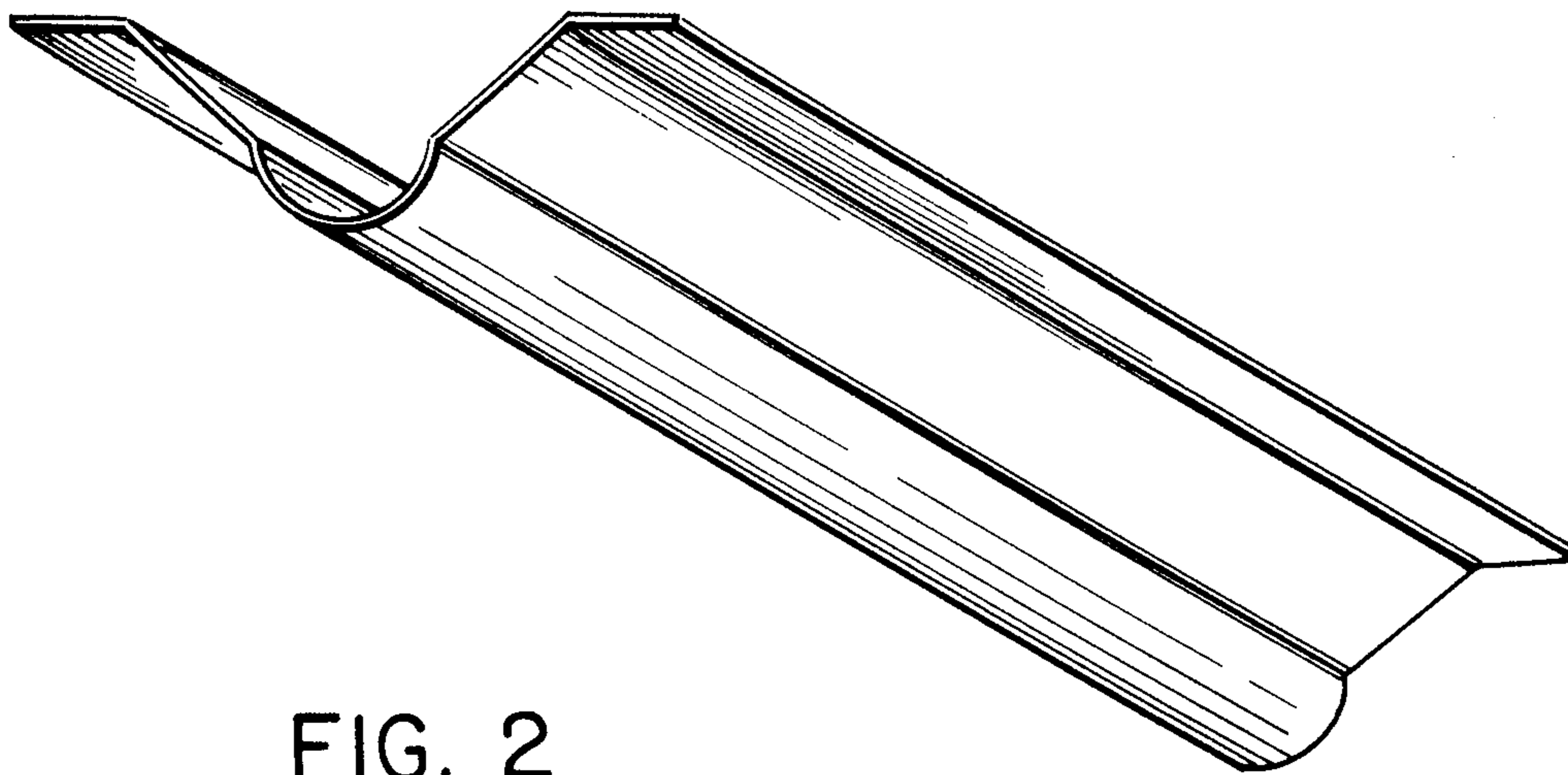


FIG. 2

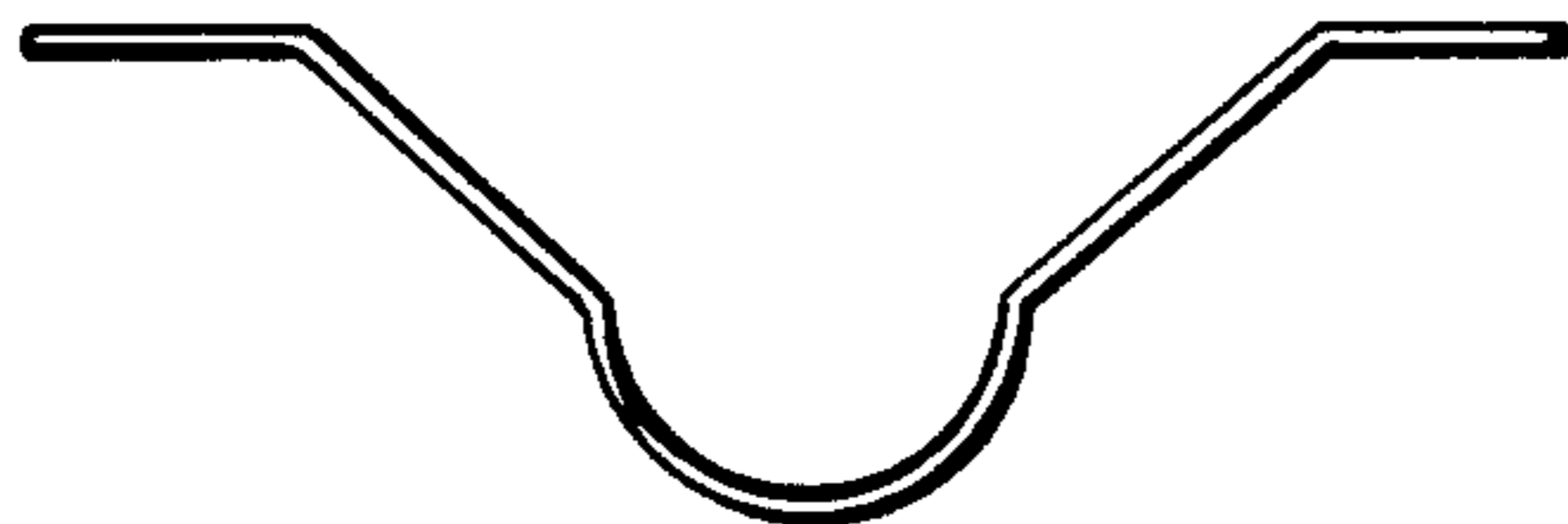


FIG. 3

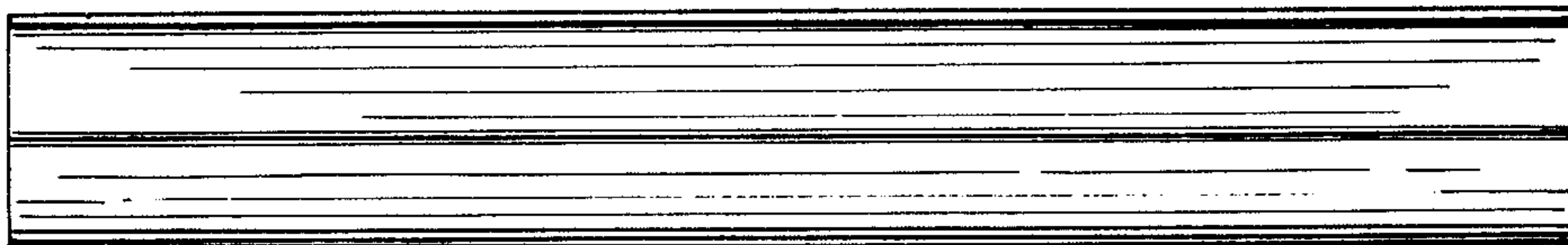


FIG. 4

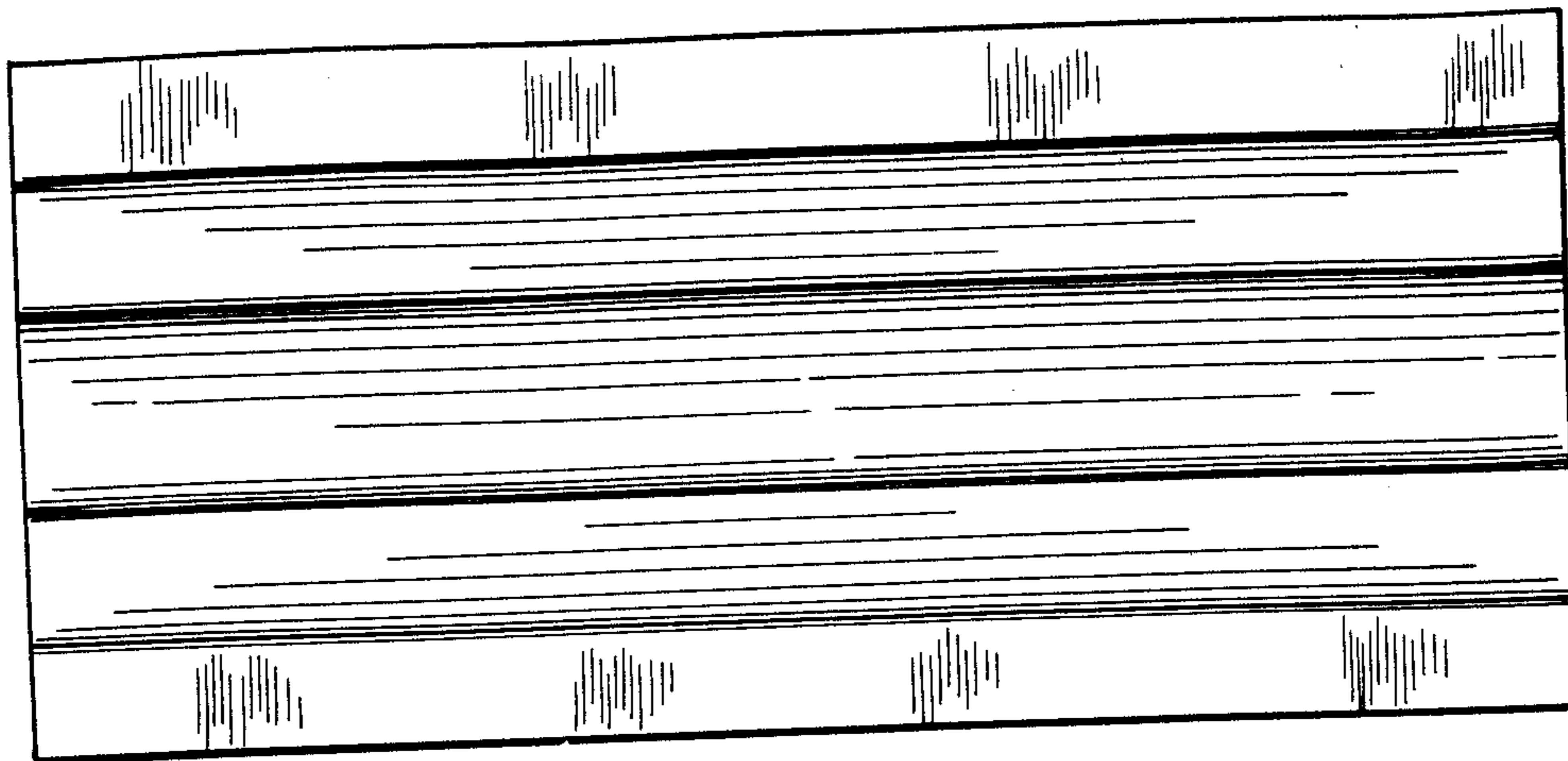


FIG. 5

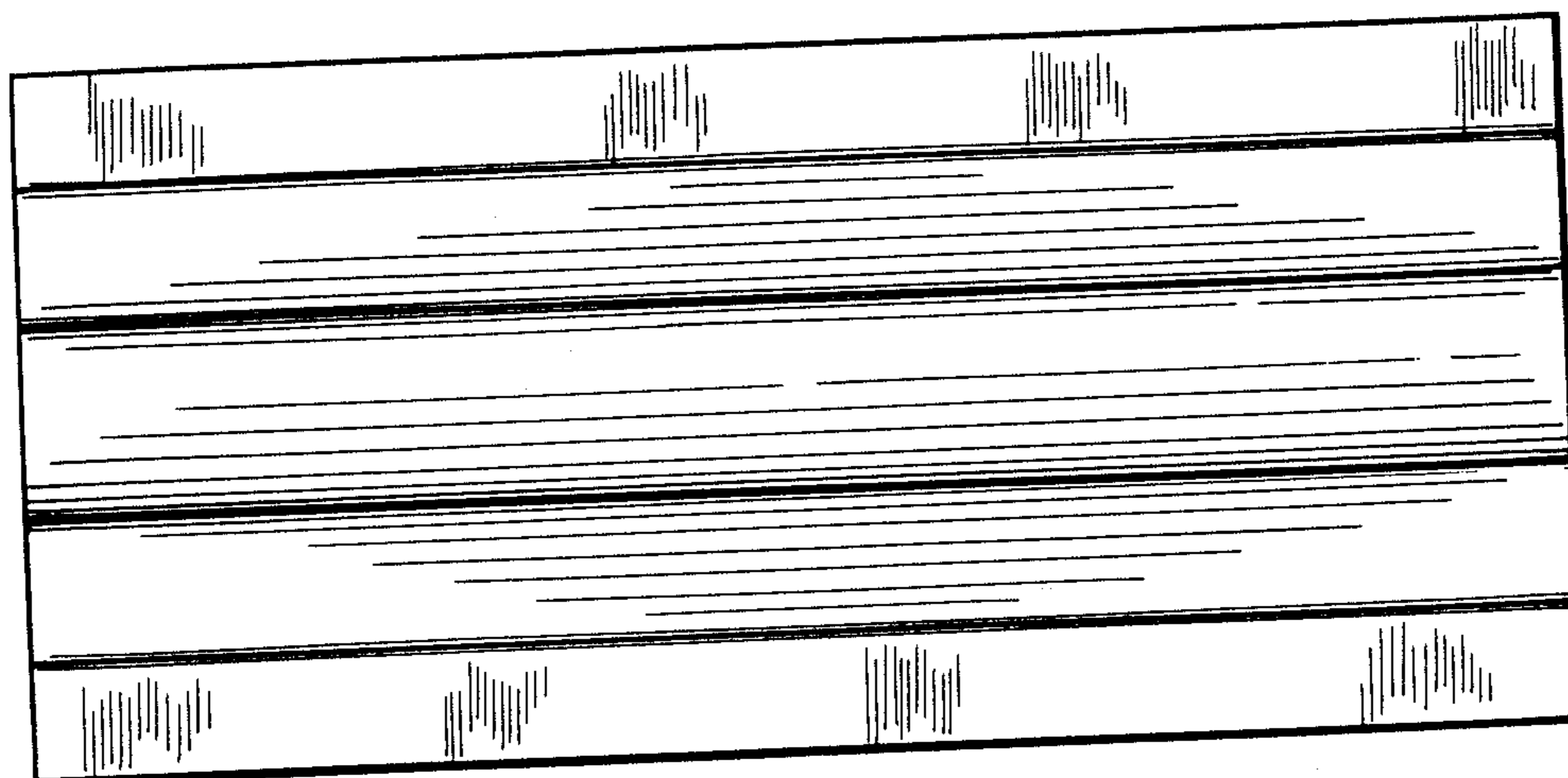


FIG. 6

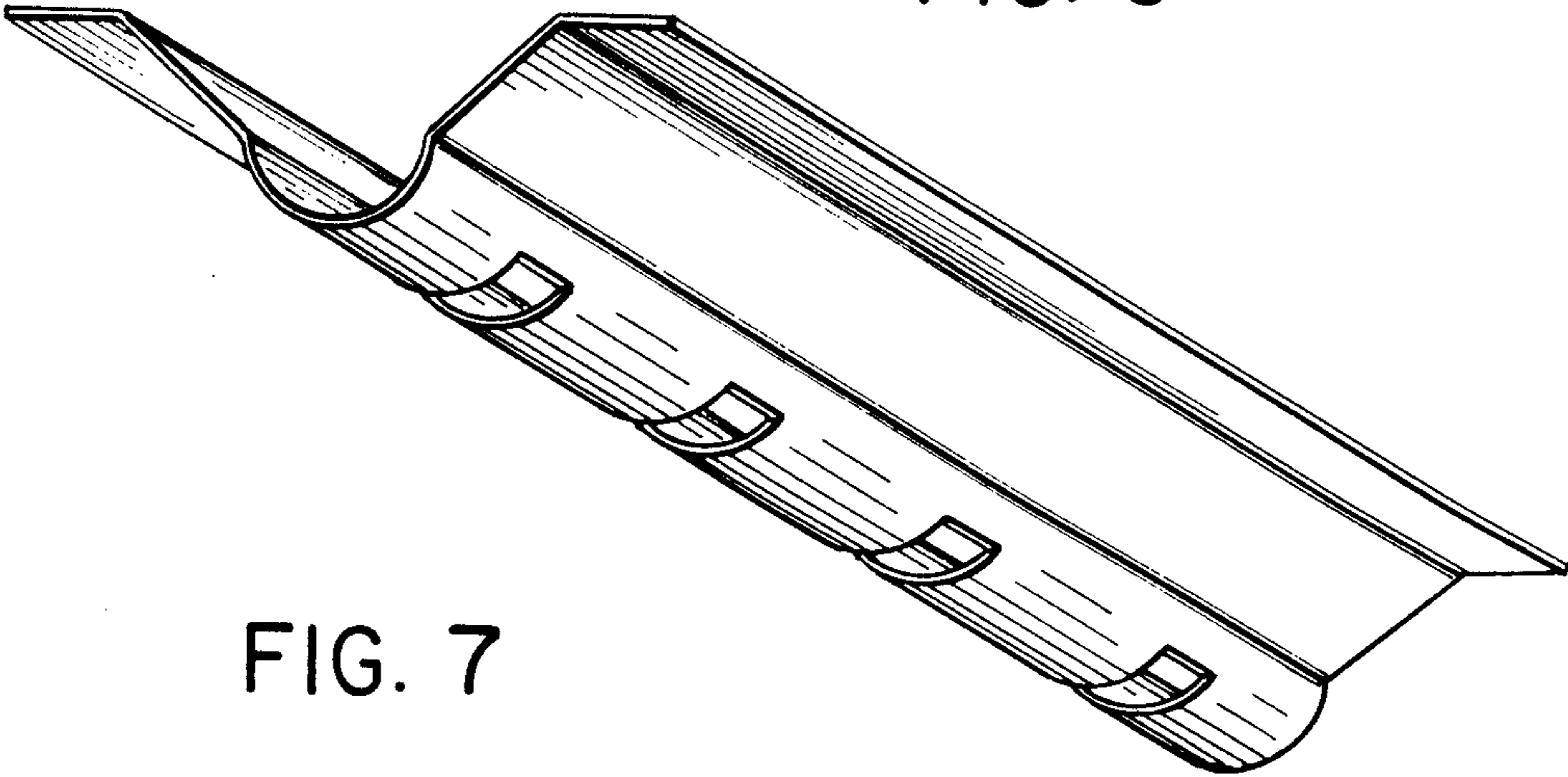


FIG. 7

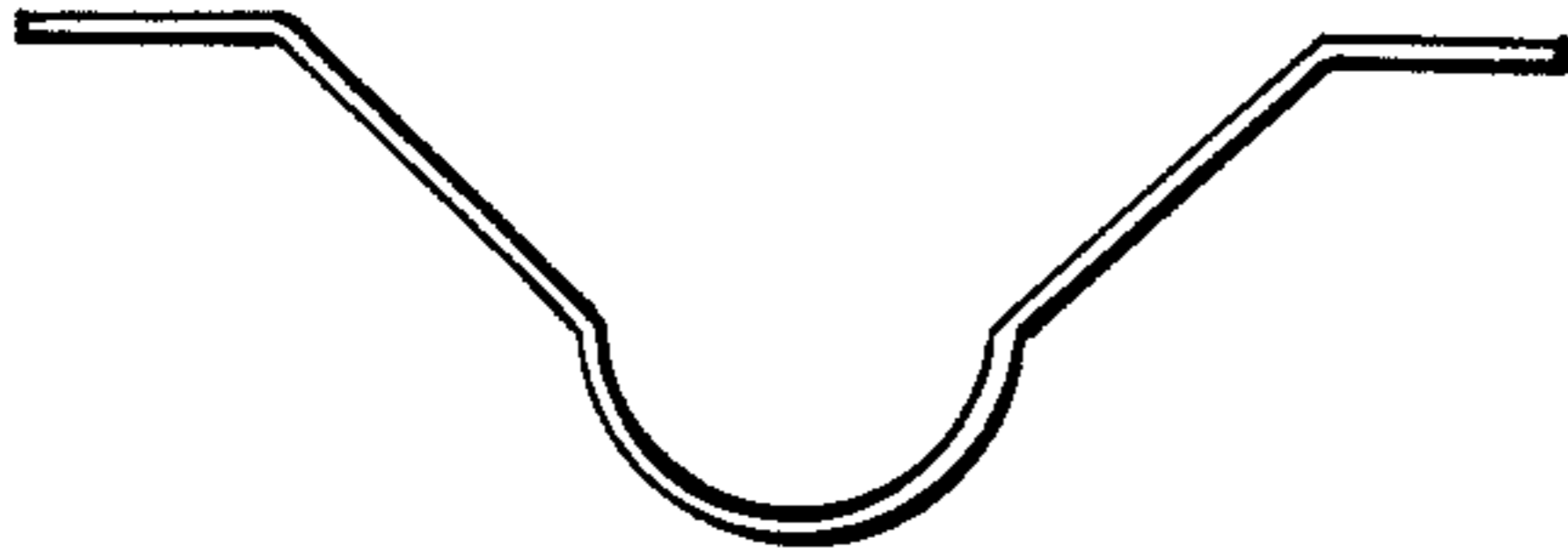


FIG. 8

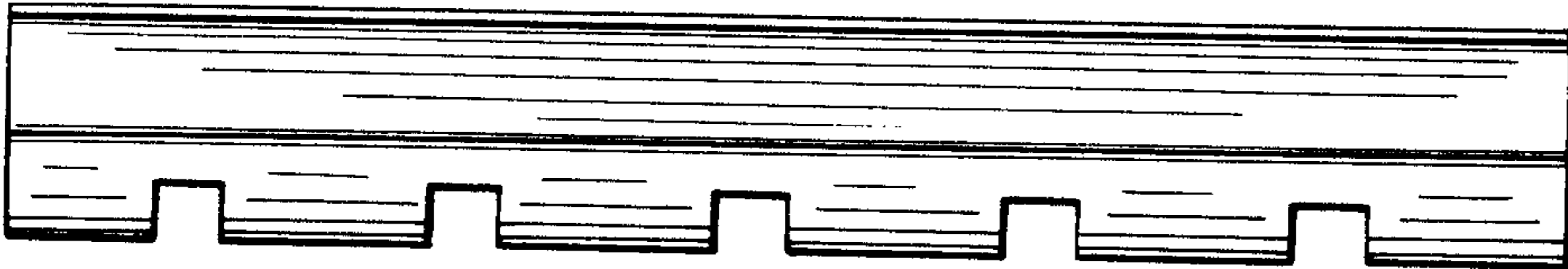


FIG. 9

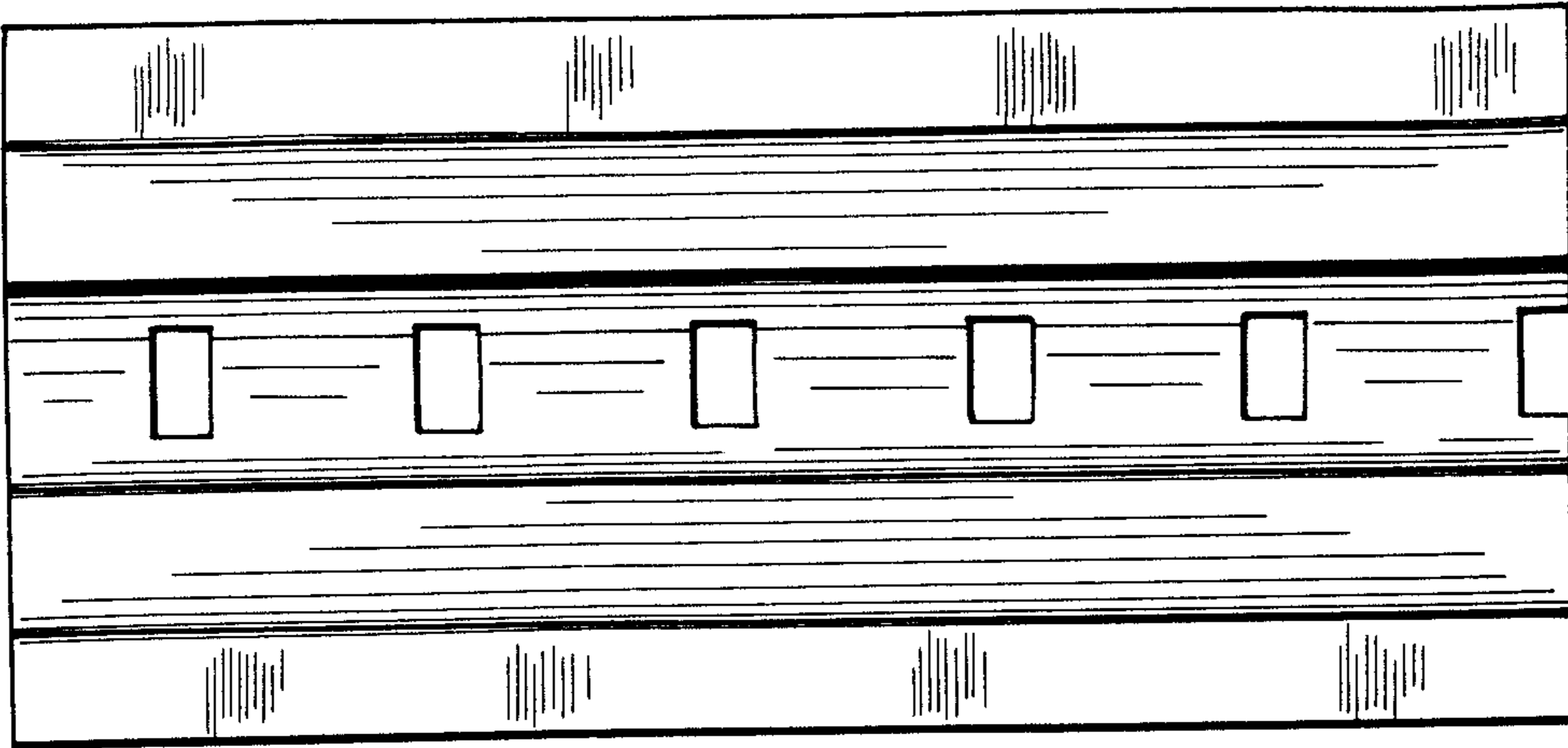
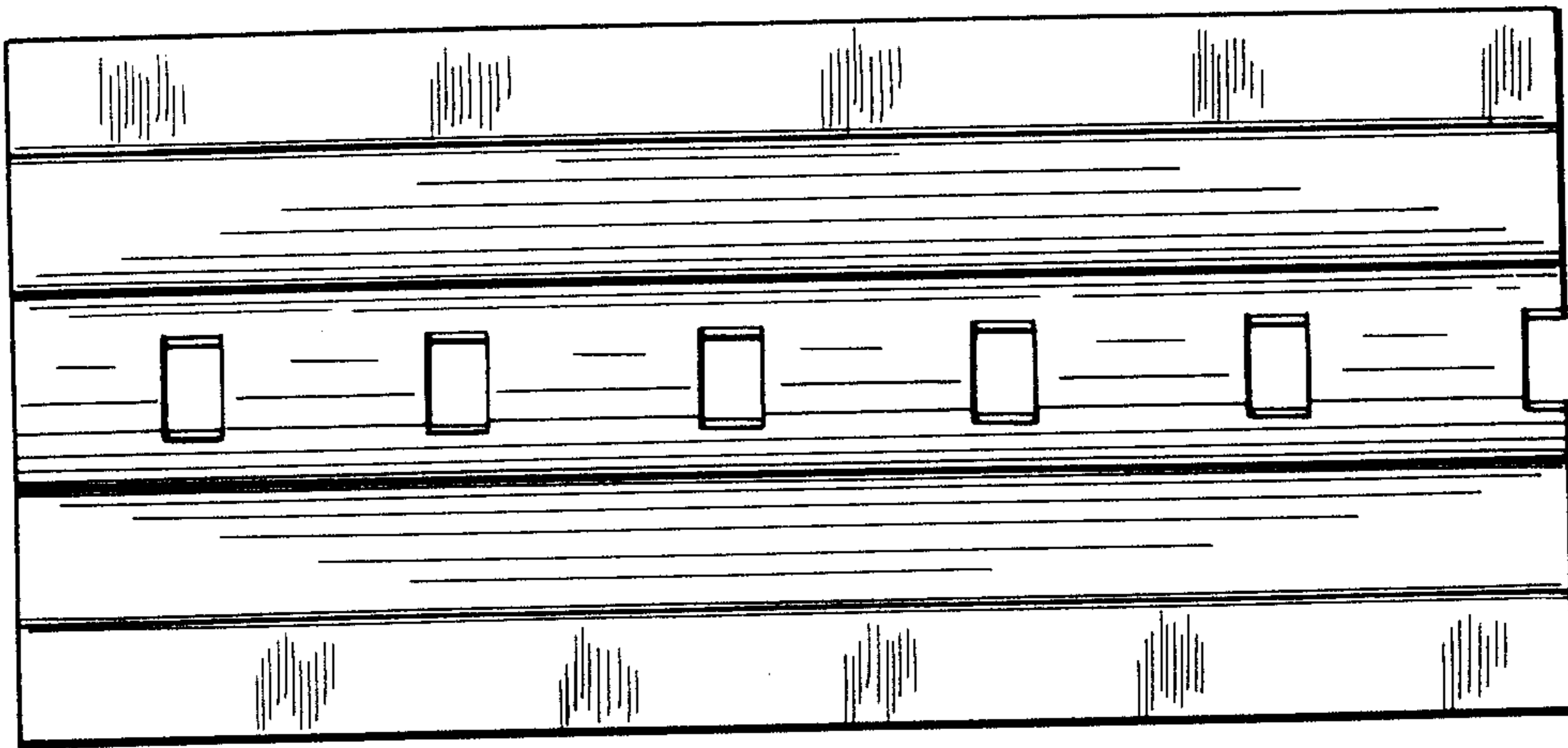


FIG. 10



UNITED STATES PATENT AND TRADEMARK OFFICE
CERTIFICATE OF CORRECTION

PATENT NO. : DES. 260,039
DATED : July 28, 1981
INVENTOR(S) : CORNELIS B. DE RUITER

It is certified that error appears in the above-identified patent and that said Letters Patent are hereby corrected as shown below:

On the title page:

"737 Assignee: Hunter Douglas N.V." should read

-- 737 Assignee: Hunter Douglas International N.V. --

Signed and Sealed this

Twenty-ninth Day of May 1984

[SEAL]

Attest:

GERALD J. MOSSINGHOFF

Attesting Officer

Commissioner of Patents and Trademarks