

[54] FRONT FOR A WOOD BURNING STOVE

[75] Inventor: Duncan C. Syme, Chelsea, Vt.

[73] Assignee: Vermont Castings, Inc., Randolph, Vt.

[\*\*] Term: 14 Years

[21] Appl. No.: 86,517

[22] Filed: Oct. 19, 1979

[51] Int. Cl. .... D23-03

[52] U.S. Cl. .... D23/128

[58] Field of Search ..... D23/72, 86, 89, 92-97, D23/105, 107, 108, 127, 128; D7/112, 113, 114; 126/4, 6, 58-66, 120, 121, 123, 126, 138

[56] References Cited

U.S. PATENT DOCUMENTS

D. 250,203 11/1978 Syme ..... D23/97

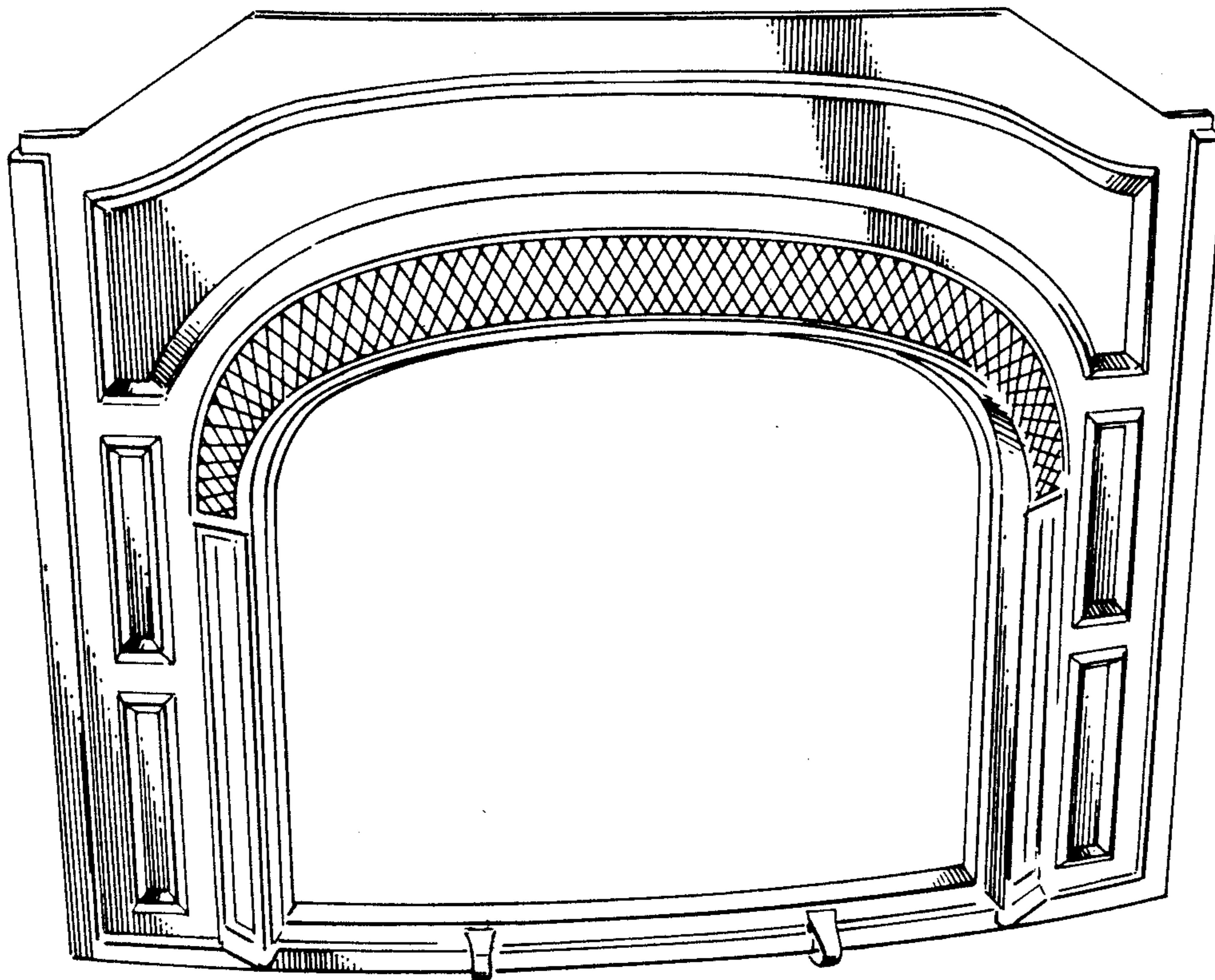
Primary Examiner—Catherine E. Kemper  
Attorney, Agent, or Firm—Kenway & Jenney

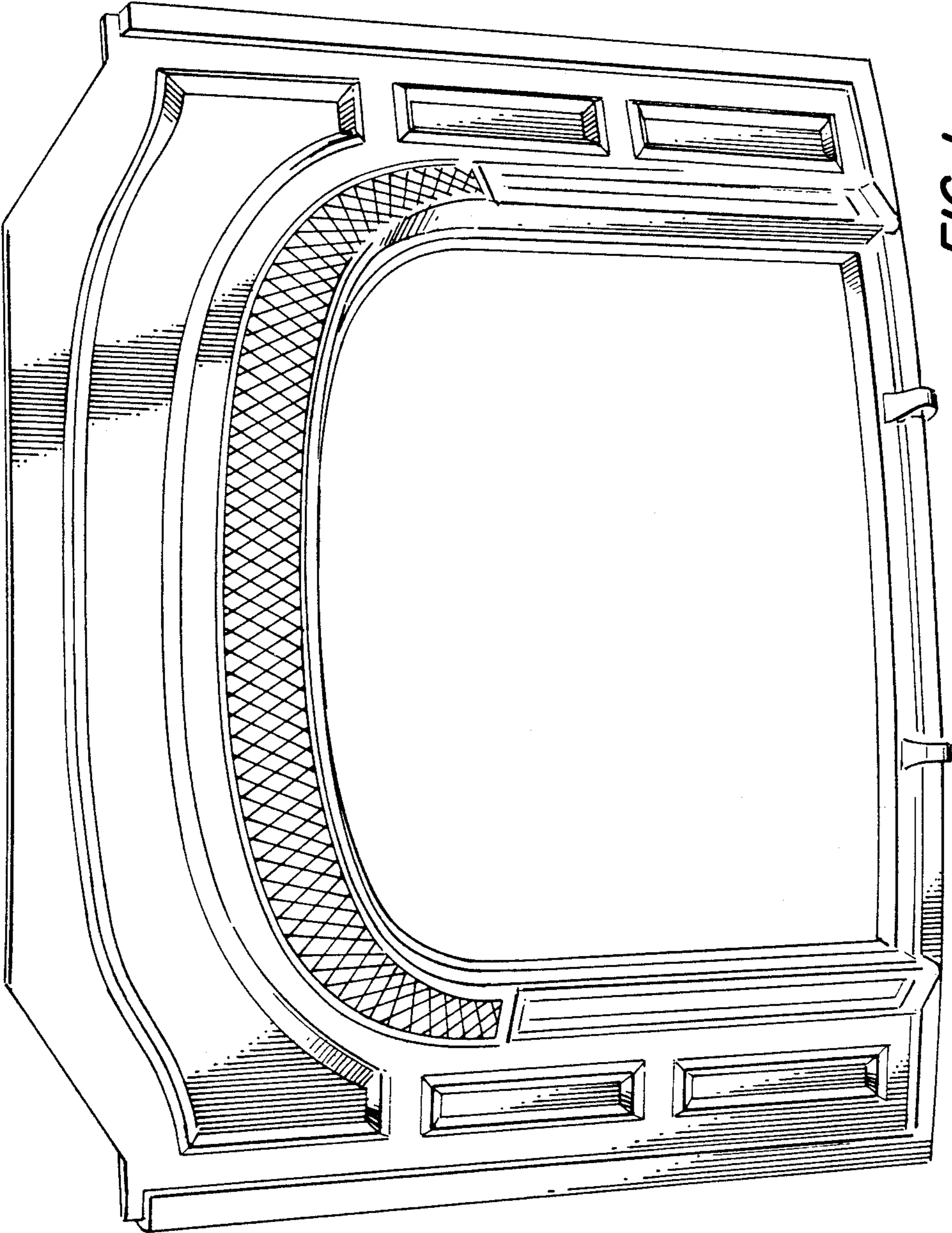
[57] CLAIM

The ornamental design for the front for a wood burning stove, as shown.

DESCRIPTION

FIG. 1 is a front perspective view of the front of a wood burning stove showing my new design; and FIG. 2 is a rear perspective view thereof.





*FIG. 1*

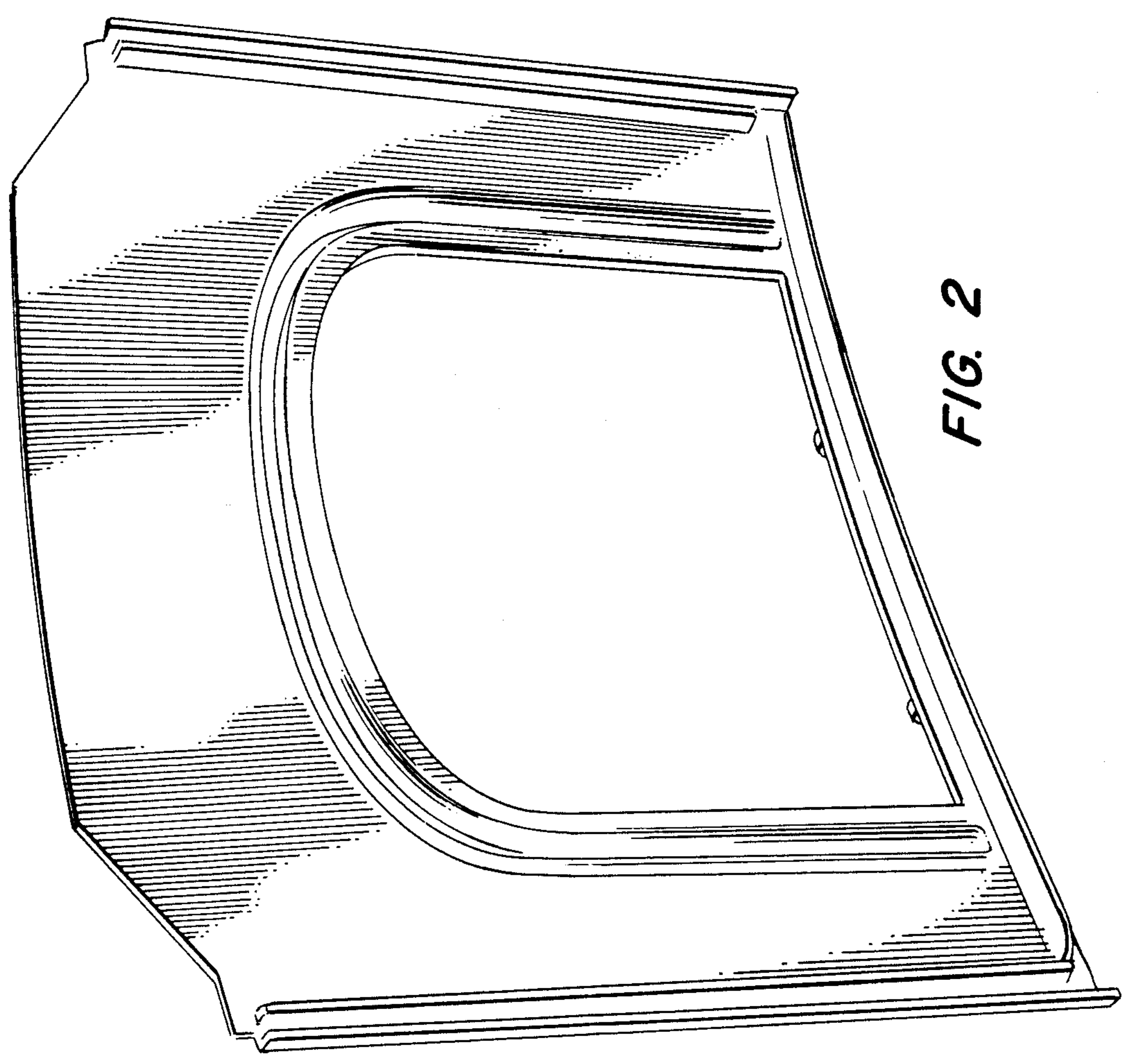


FIG. 2