

[54] WOOD BURNING STOVE

[75] Inventor: Duncan C. Syme, Chelsea, Vt.

[73] Assignee: Vermont Castings, Inc., Randolph, Vt.

[**] Term: 14 Years

[21] Appl. No.: 86,519

[22] Filed: Oct. 19, 1979

[51] Int. Cl. D23—03

[52] U.S. Cl. D23/97

[58] Field of Search D23/72, 86, 89, 92-97, D23/105, 107, 108, 127, 128; D7/112, 113, 114; 126/4, 6, 58, 66, 120, 121, 123, 126, 138

[56] References Cited

U.S. PATENT DOCUMENTS

D. 250,203 11/1978 Syme D23/97

Primary Examiner—Catherine E. Kemper
Attorney, Agent, or Firm—Kenway & Jenney

[57] CLAIM

The ornamental design for a wood burning stove, as shown and described.

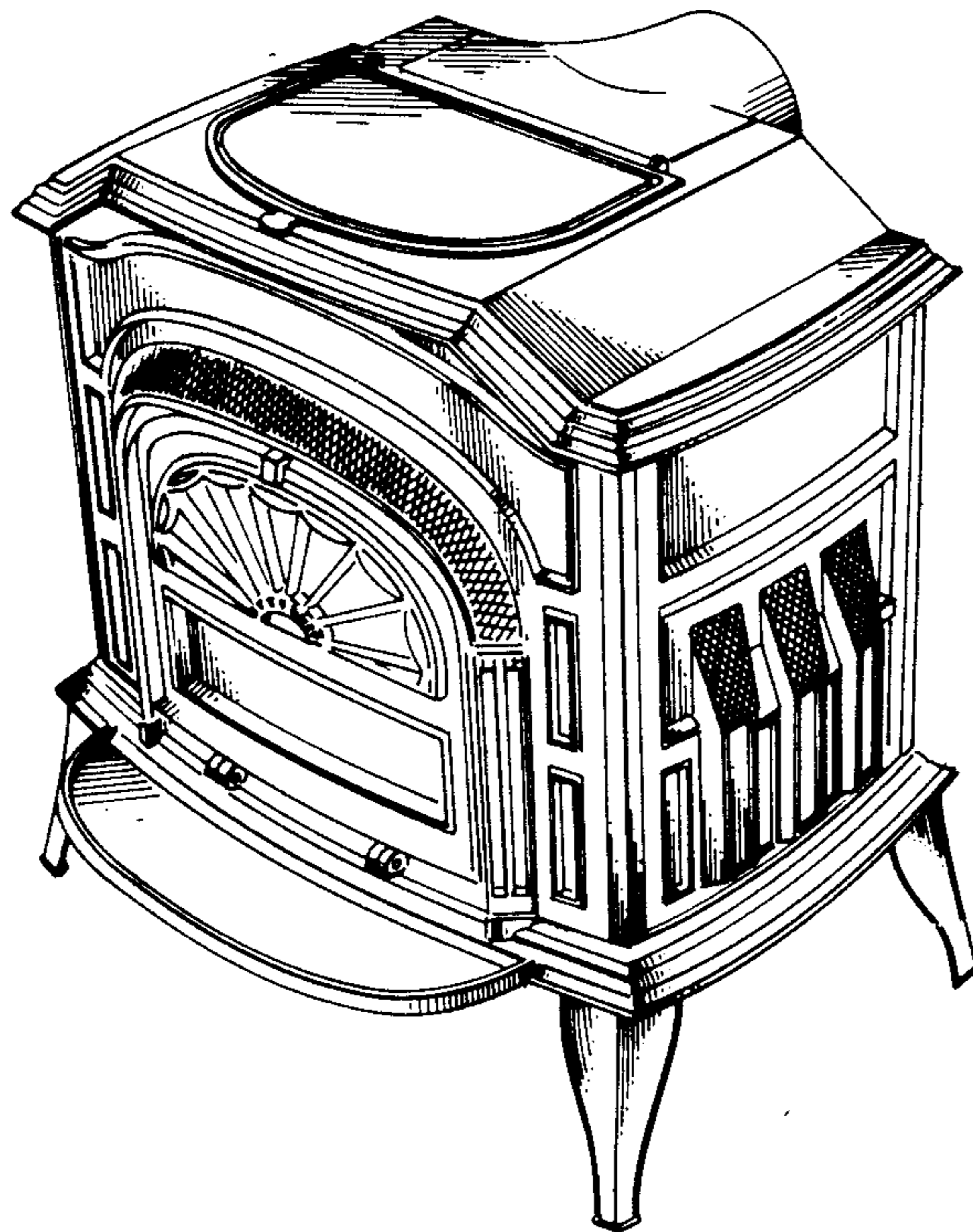
DESCRIPTION

FIG. 1 is a front perspective view of a wood burning stove showing my new design;

FIG. 2 is a rear perspective view thereof;

FIG. 3 is a rear perspective view thereof, shown with the chimney connection rotated to an alternate position;

FIG. 4 is a bottom rear perspective view of the stove shown in FIG. 1.



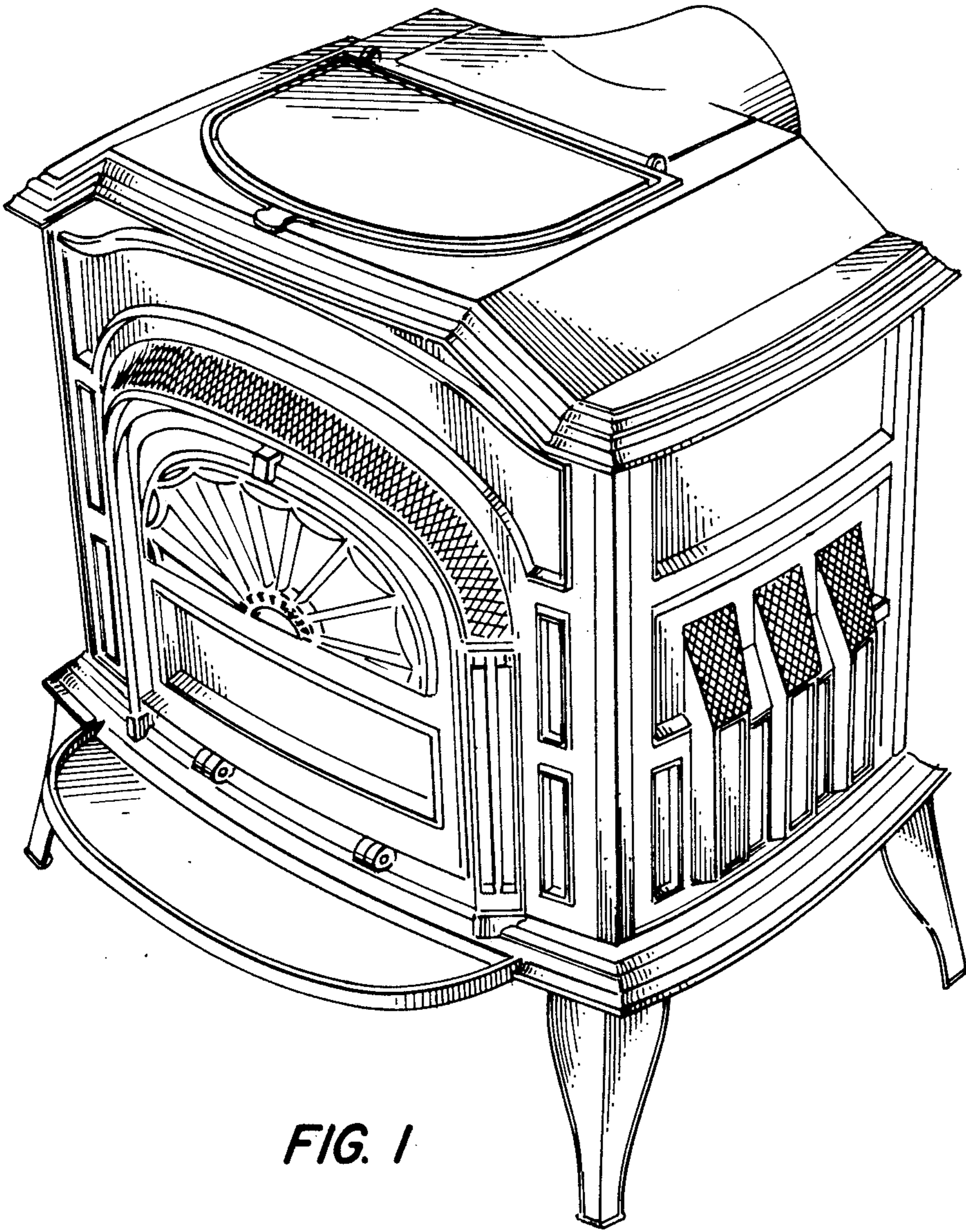


FIG. 1

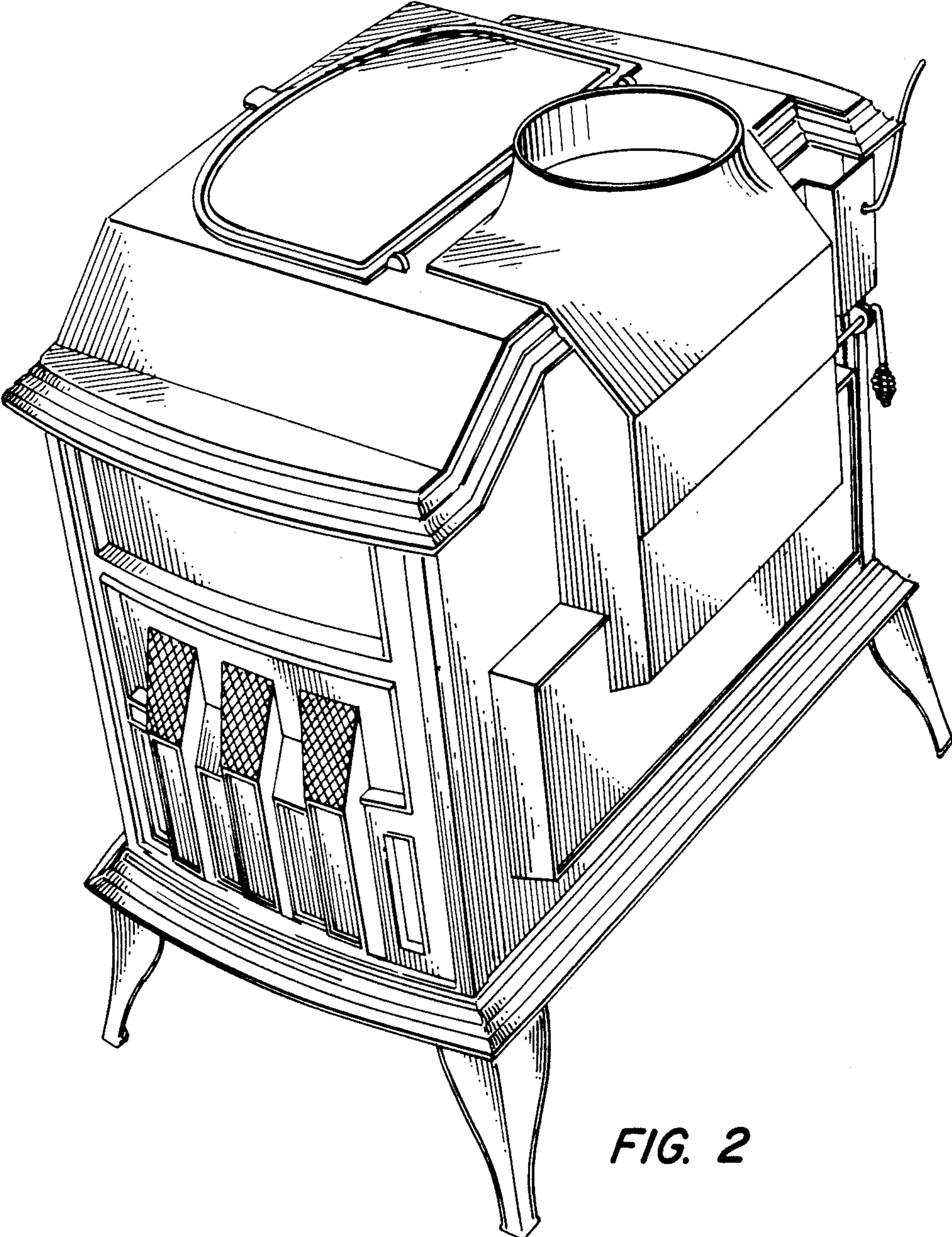


FIG. 2

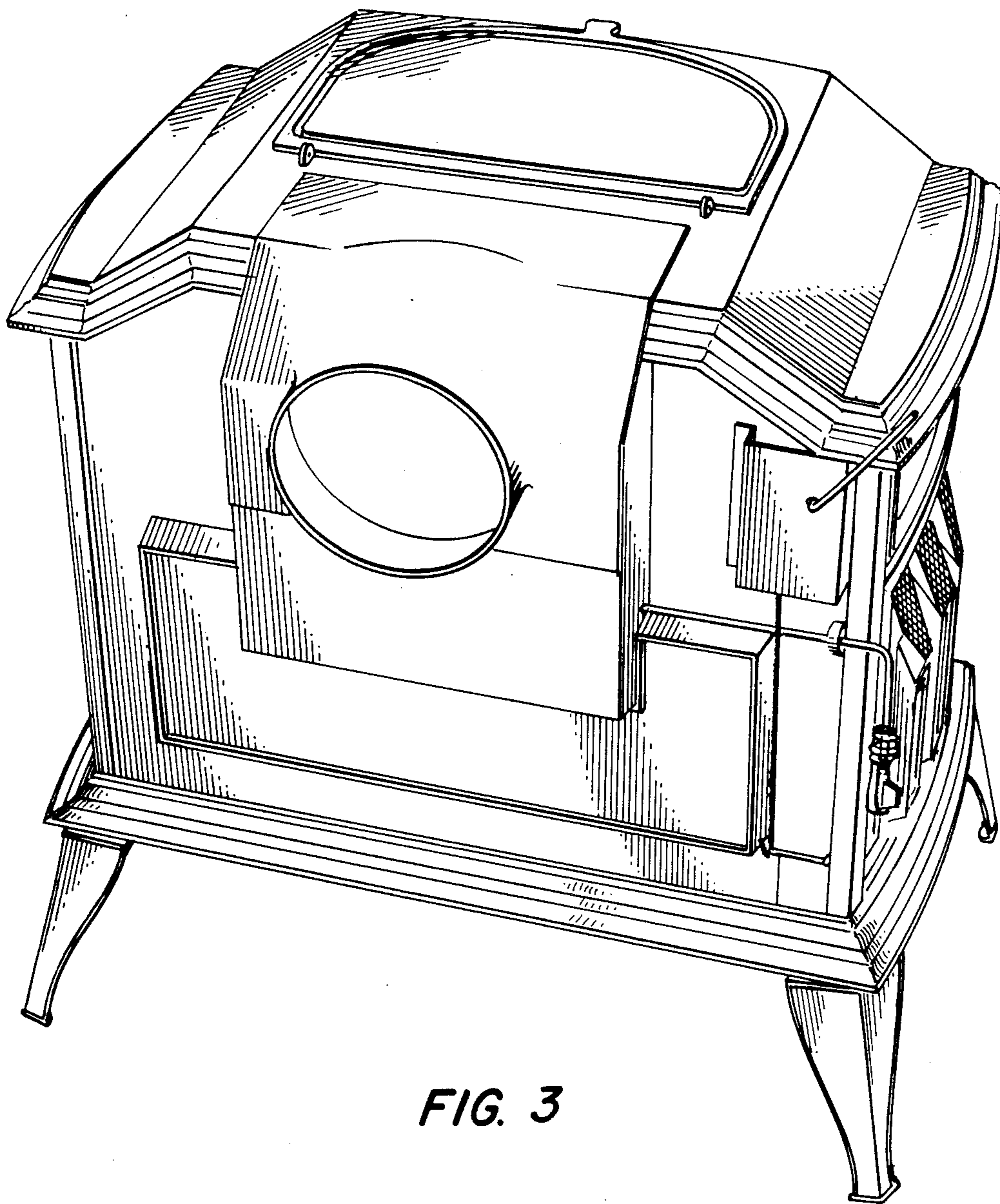


FIG. 3

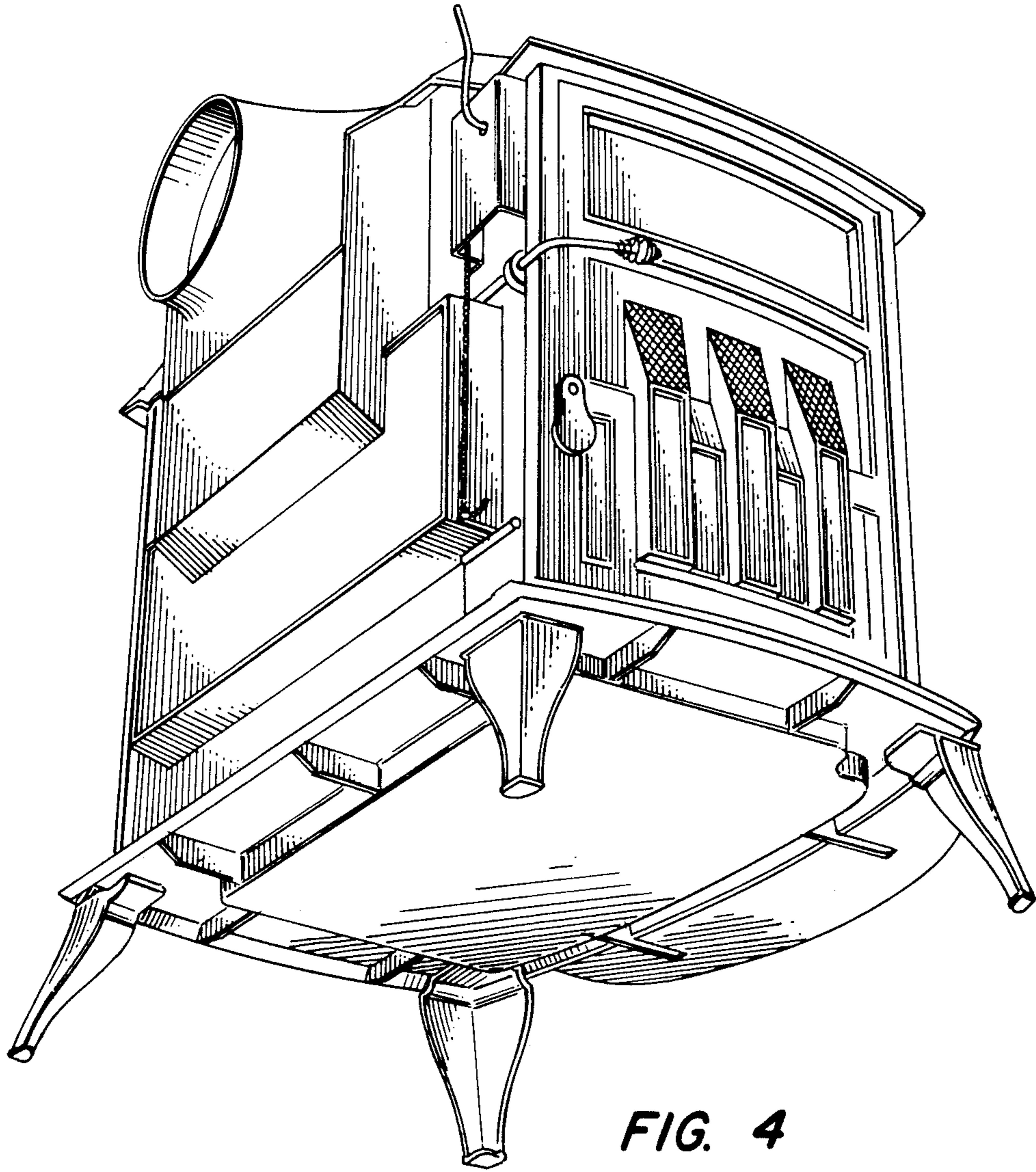


FIG. 4