

- [54] **SERVING MACHINE FOR USE IN PRACTICING VOLLEYBALL**
- [75] Inventors: **Retsuo Saito; Junji Nagase**, both of Odawara, Japan
- [73] Assignee: **Kabushiki Kaisha Tokiwa Seisakusho**, Odawara, Japan
- [**] Term: **14 Years**
- [21] Appl. No.: **43,830**
- [22] Filed: **May 30, 1979**
- [30] **Foreign Application Priority Data**
 Jan. 29, 1979 [JP] Japan 54-002962
- [51] Int. Cl. **D21-03**
- [52] U.S. Cl. **D21/210**
- [58] Field of Search **D21/210; 273/411; 124/78**

[56] **References Cited**
U.S. PATENT DOCUMENTS

3,724,437	4/1973	Halstead	124/78
3,804,071	4/1974	Winrow	273/411
4,026,261	5/1977	Paulson et al.	124/78

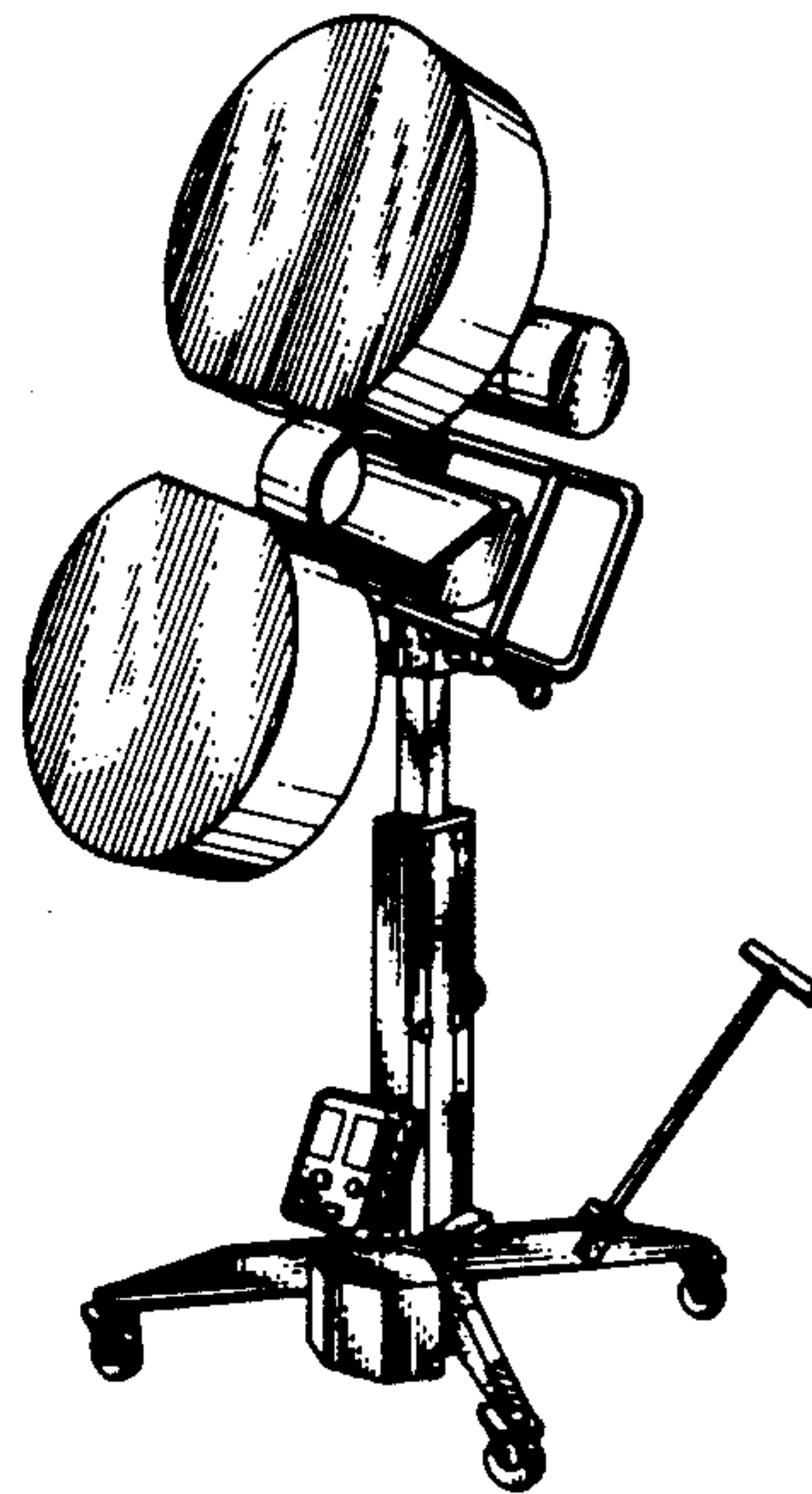
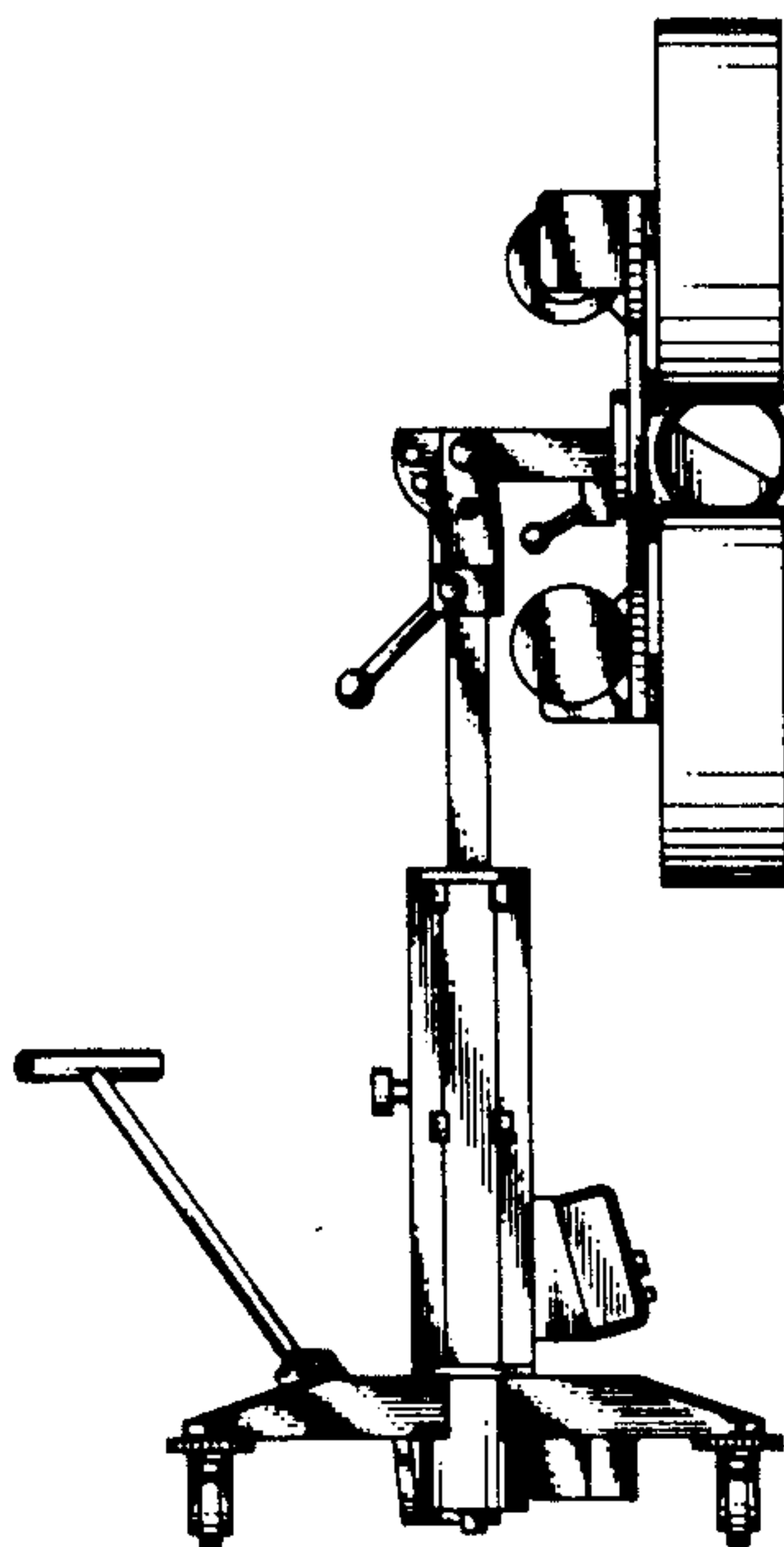
Primary Examiner—Melvin B. Feifer

[57] **CLAIM**

The ornamental design for a serving machine for use in practicing volleyball, as shown and described.

DESCRIPTION

FIG. 1 is a front elevational view of a serving machine for use in practicing volleyball according to our new design;
 FIG. 2 is a rear elevational view thereof;
 FIG. 3 is a left side elevational view thereof;
 FIG. 4 is a right side elevational view thereof;
 FIG. 5 is a top plan view thereof;
 FIG. 6 is a bottom plan view thereof;
 FIG. 7 is a rear perspective view showing from the left side thereof;
 FIG. 8 is a rear perspective view showing from the right side thereof.



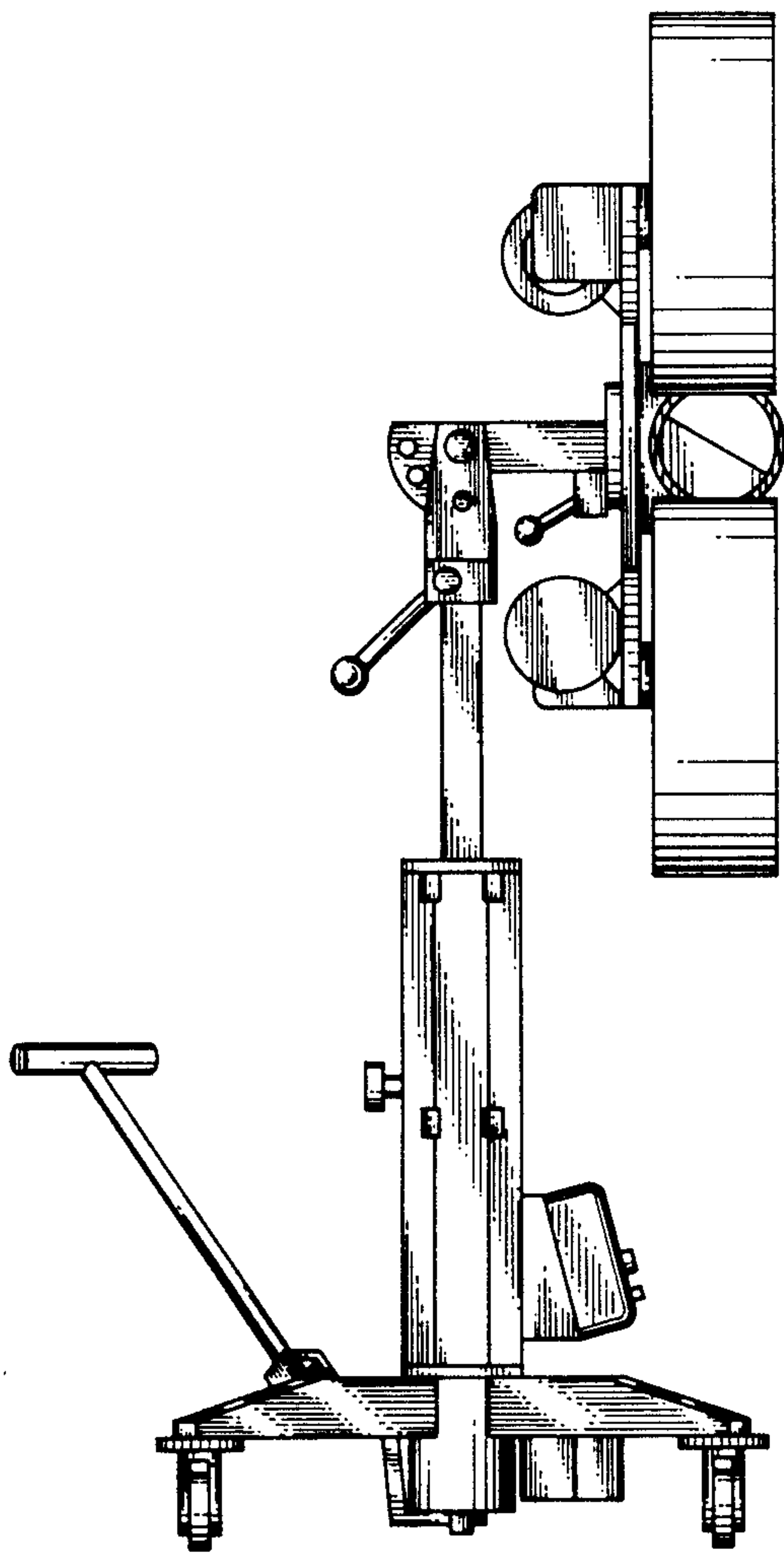


FIG. 1

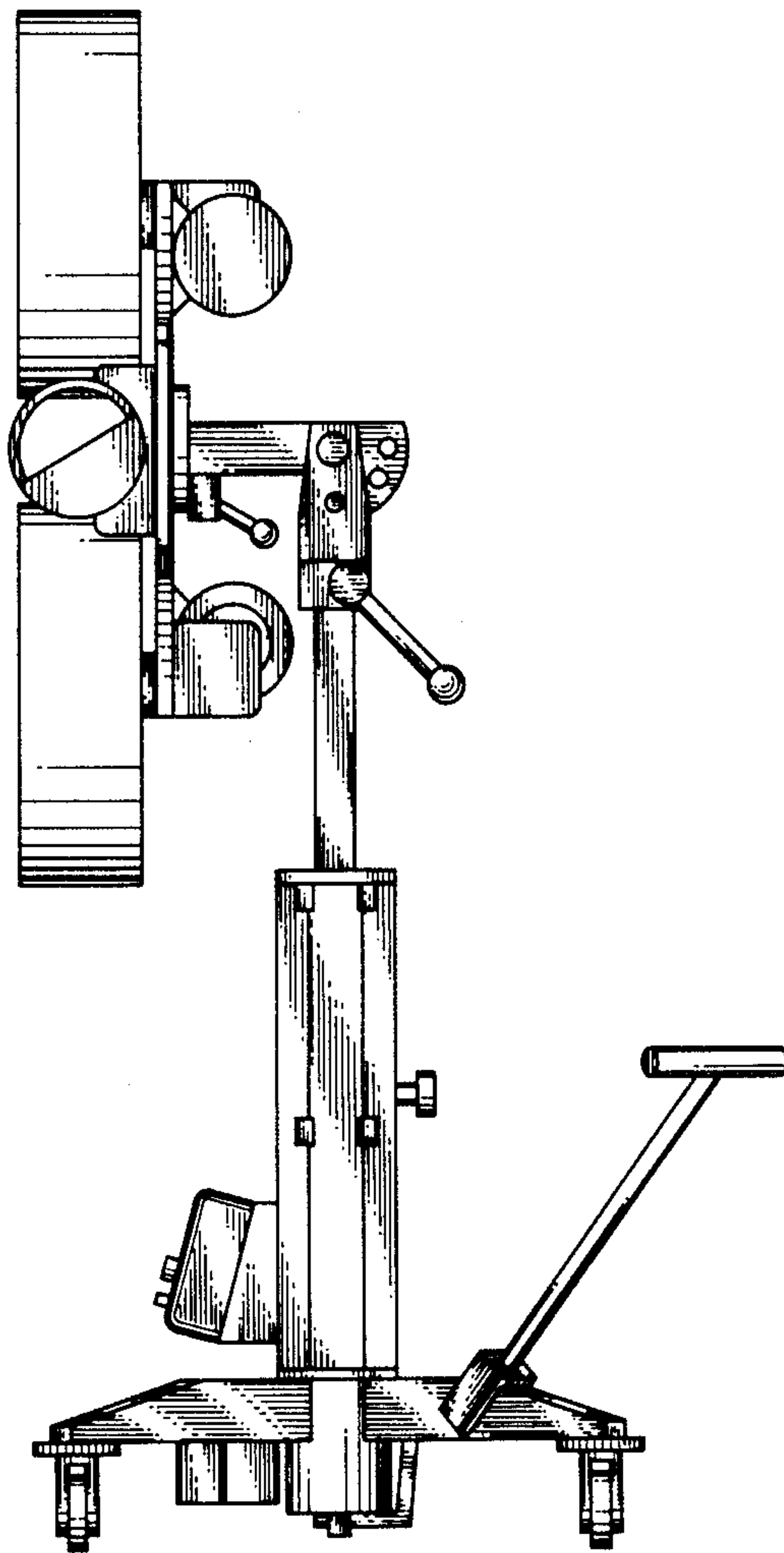


FIG. 2

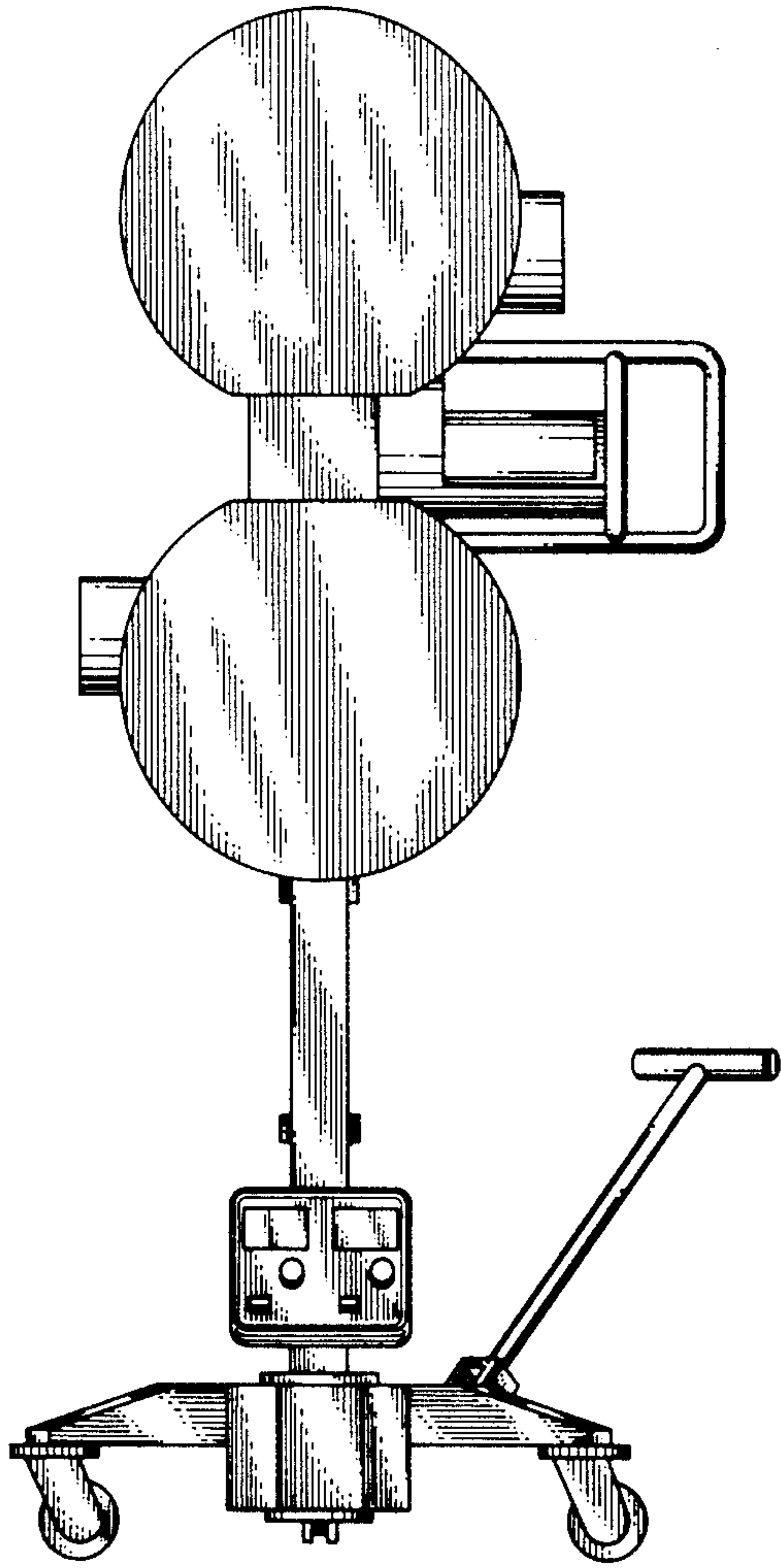


FIG. 4

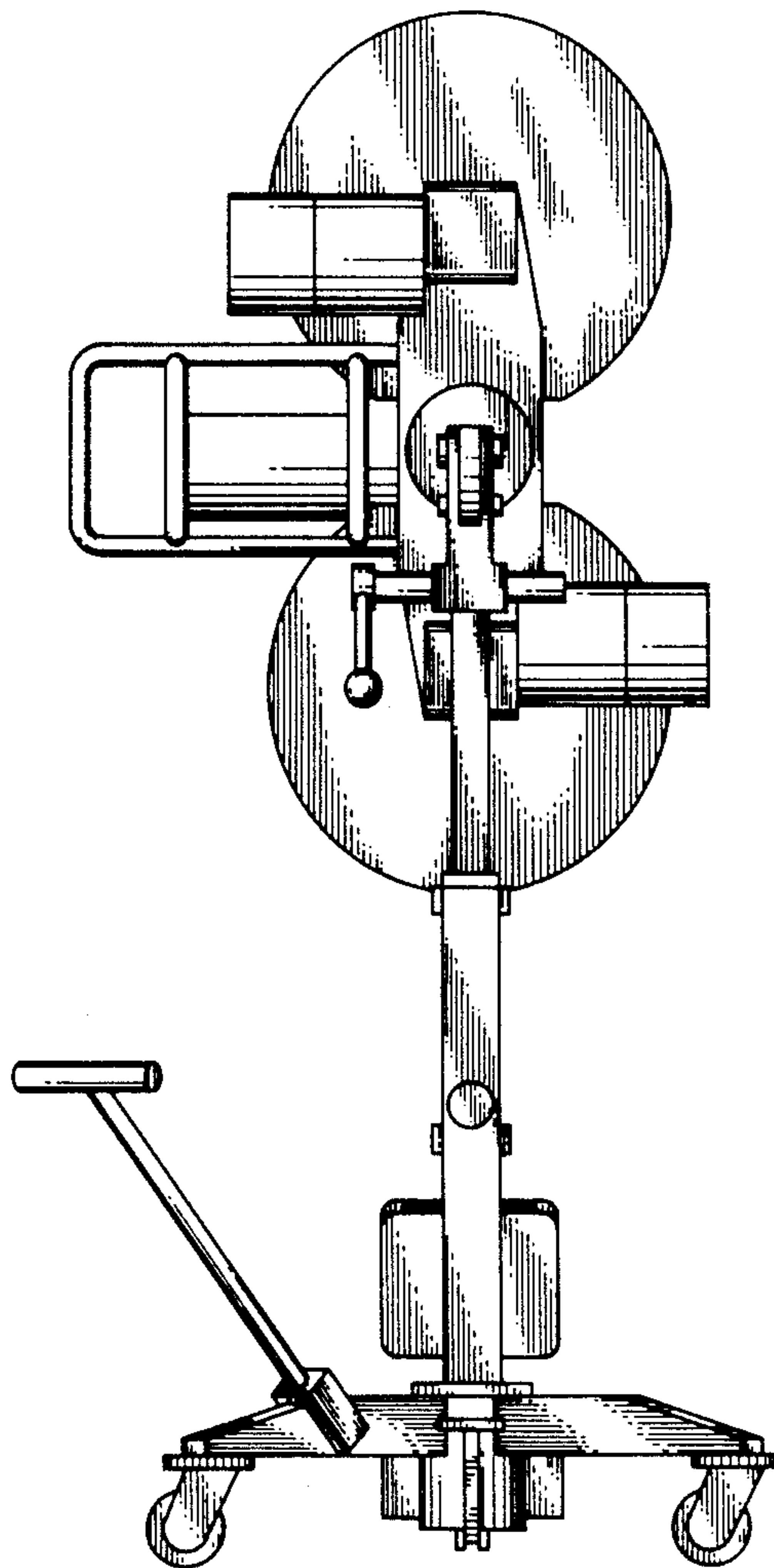


FIG. 3

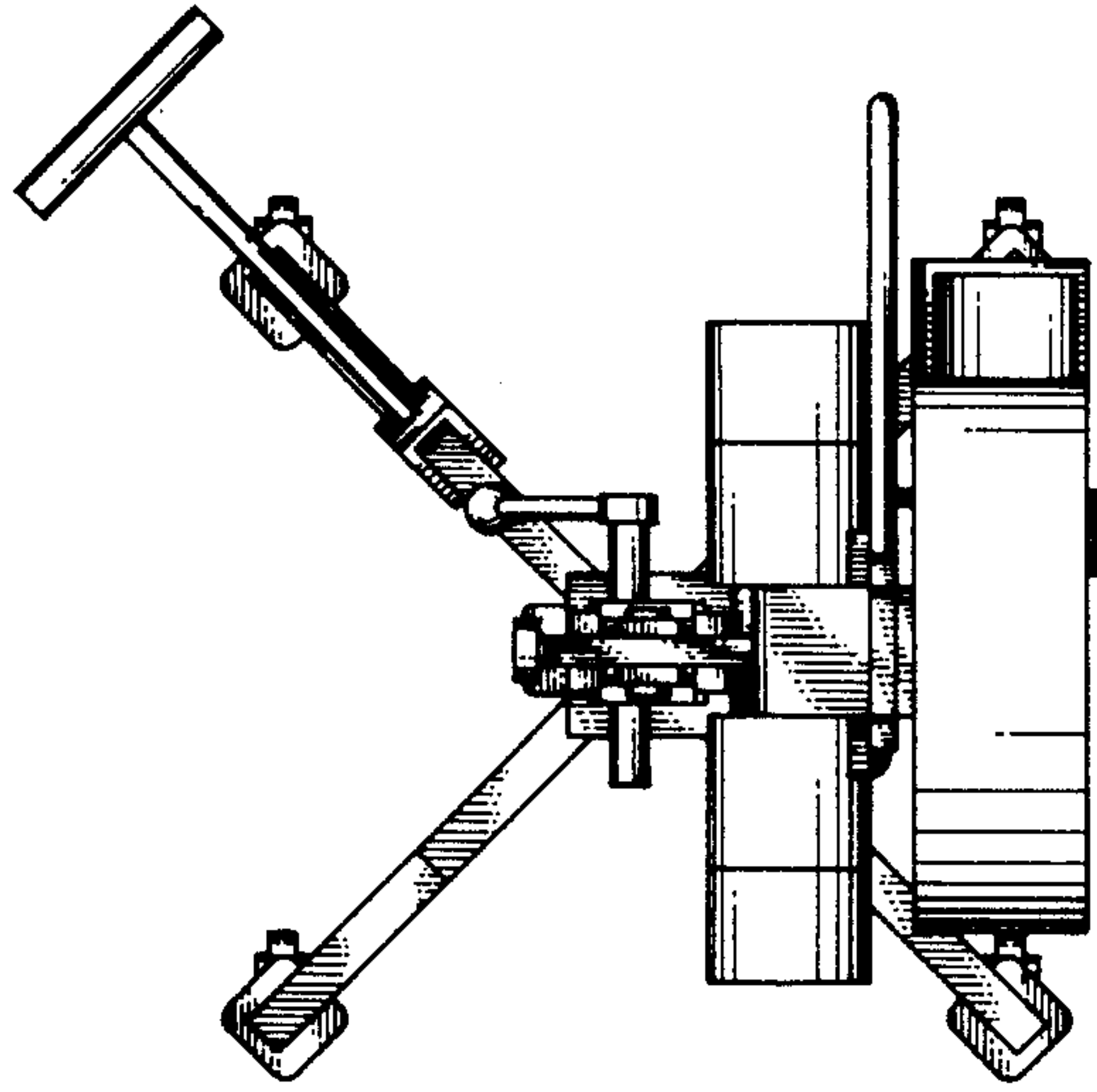


FIG. 5

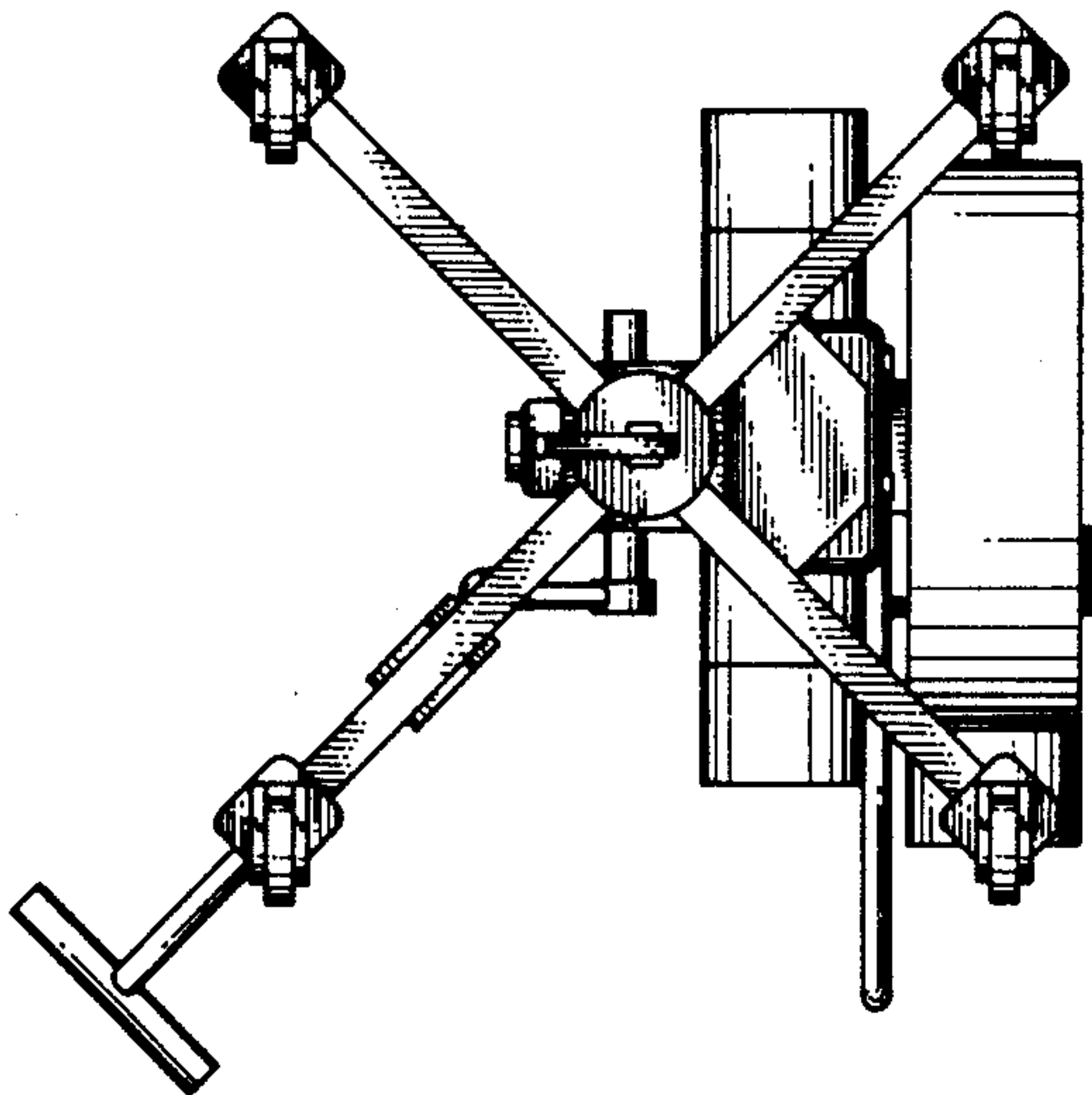


FIG. 6

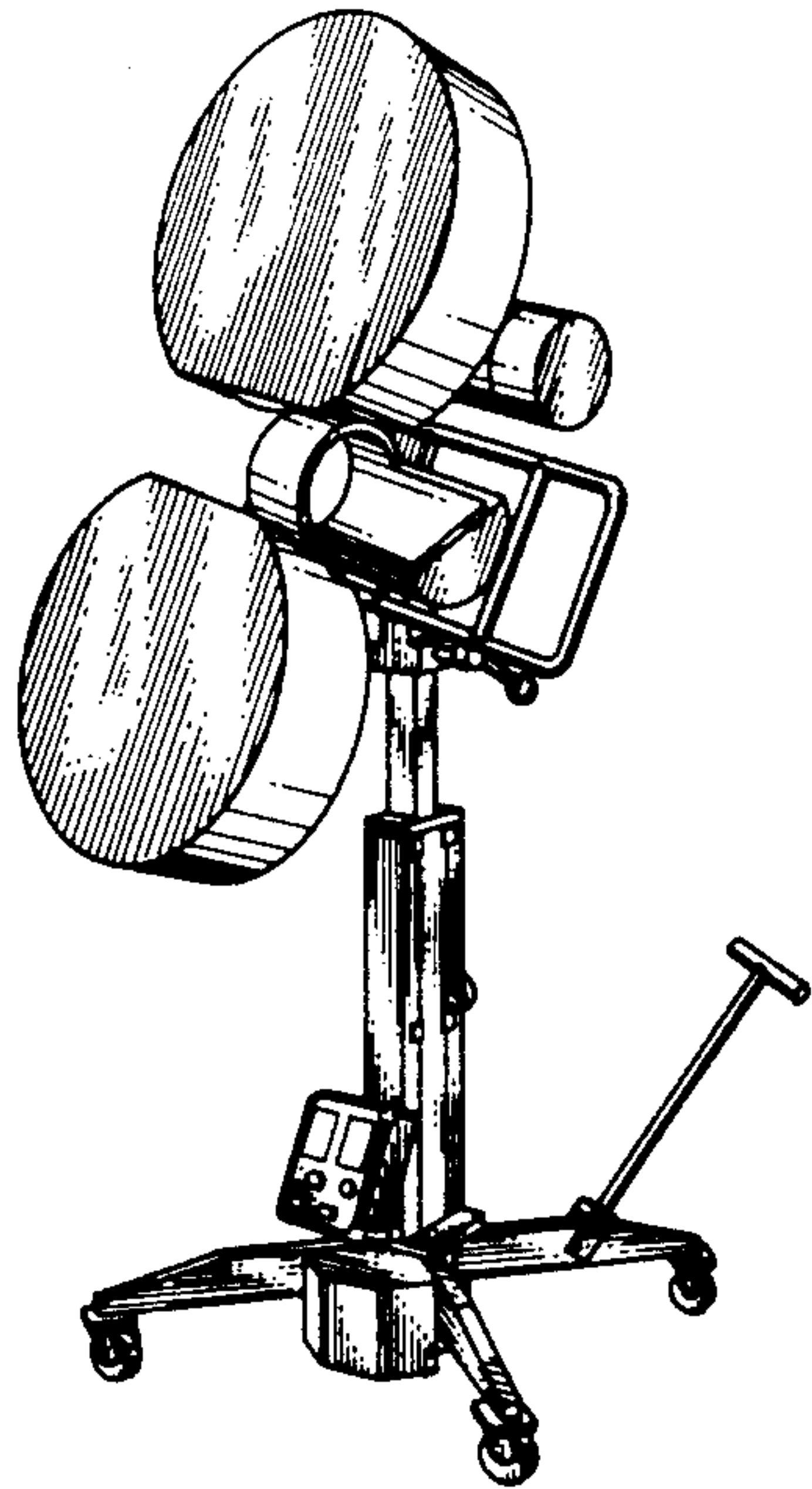


FIG. 8

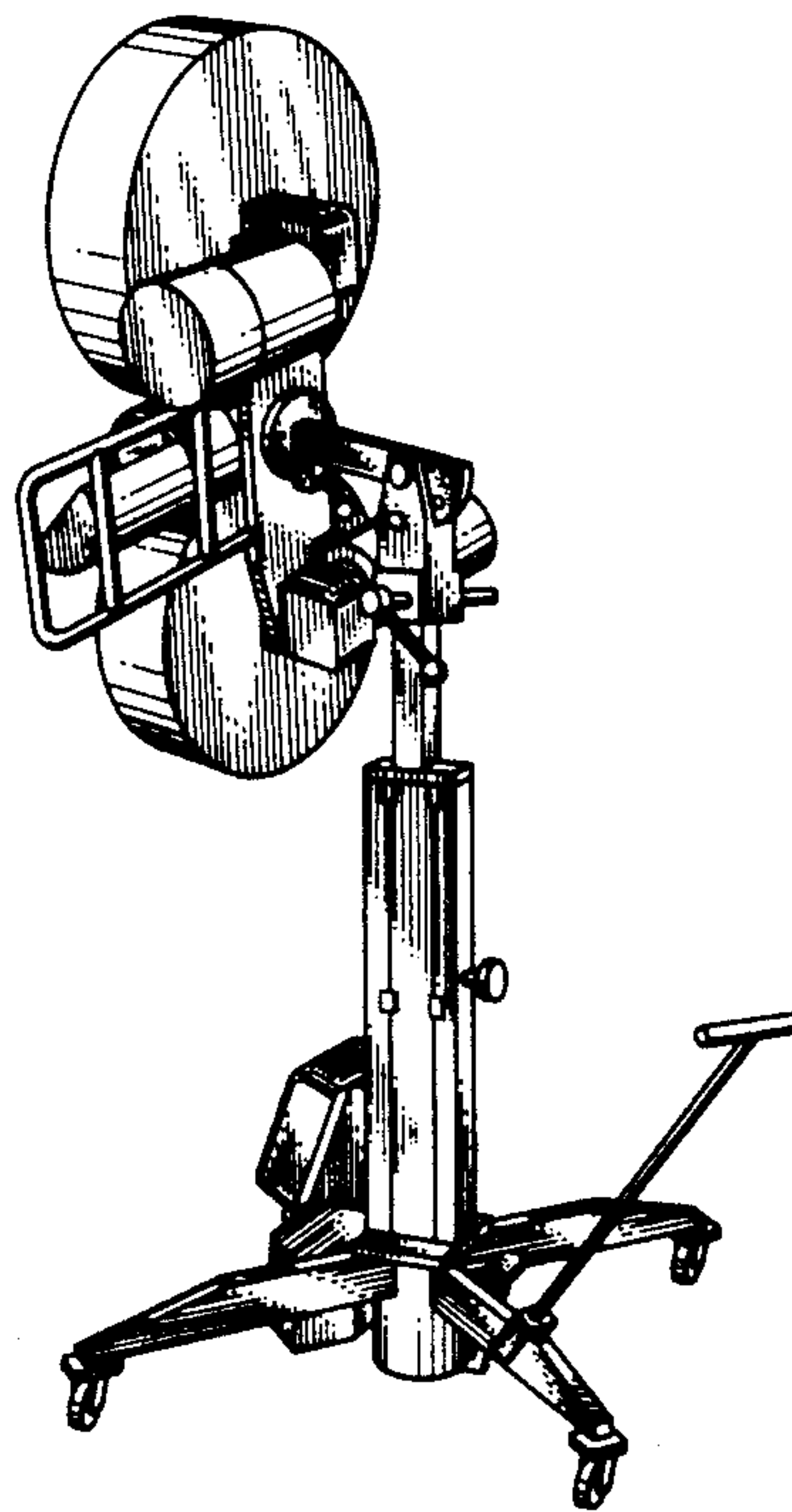


FIG. 7