

[54] ELECTRONIC GAME CASING

[75] Inventors: David A. Pagani, Minnetonka; Peter D. Pook, Bloomington, both of Minn.

[73] Assignee: Leisure Dynamics, Inc., Minneapolis, Minn.

[**] Term: 14 Years

[21] Appl. No.: 67,700

[22] Filed: Aug. 17, 1979

[51] Int. Cl. D21-01

[52] U.S. Cl. D21/13

[58] Field of Search D21/13, 59; D19/59, D19/62; D18/7; 273/1 E, 138 A, 237, 85 G

[56] References Cited

U.S. PATENT DOCUMENTS

D. 226,921	5/1973	Cone et al.	D18/7
D. 241,540	9/1976	Stephan et al.	D19/62
3,838,858	10/1974	Tummescheit	273/138 A

Primary Examiner—Melvin B. Feifer
Attorney, Agent, or Firm—Schroeder, Siegfried, Ryan, Vidas, Steffey & Arrett

[57] CLAIM

The ornamental design for an electronic game casing, as shown and described.

DESCRIPTION

FIG. 1 is a perspective view of our new electronic game casing with its cover in the open position;

FIG. 2 is a left side elevational view thereof on a reduced scale;

FIG. 3 is a front elevational view thereof on the same scale as that of FIG. 2;

FIG. 4 is a bottom plan view thereof on the same scale as that of FIG. 2;

FIG. 5 is a top plan view thereof on the same scale as that of FIG. 2;

FIG. 6 is a left side elevational view thereof with its cover in the closed position and on the same scale as that of FIG. 2;

FIG. 7 is a front elevational view thereof with its cover in the closed position and on the same scale as that of FIG. 2;

FIG. 8 is a top plan view of the same with its cover in the closed position and on the same scale as that of FIG. 2.

A right side elevational view of the same with its cover open and on the same scale as that of FIG. 2 is essentially a mirror image thereof.

A right side elevational view of the same with its cover closed and on the same scale as that of FIG. 6 is essentially a mirror image thereof.

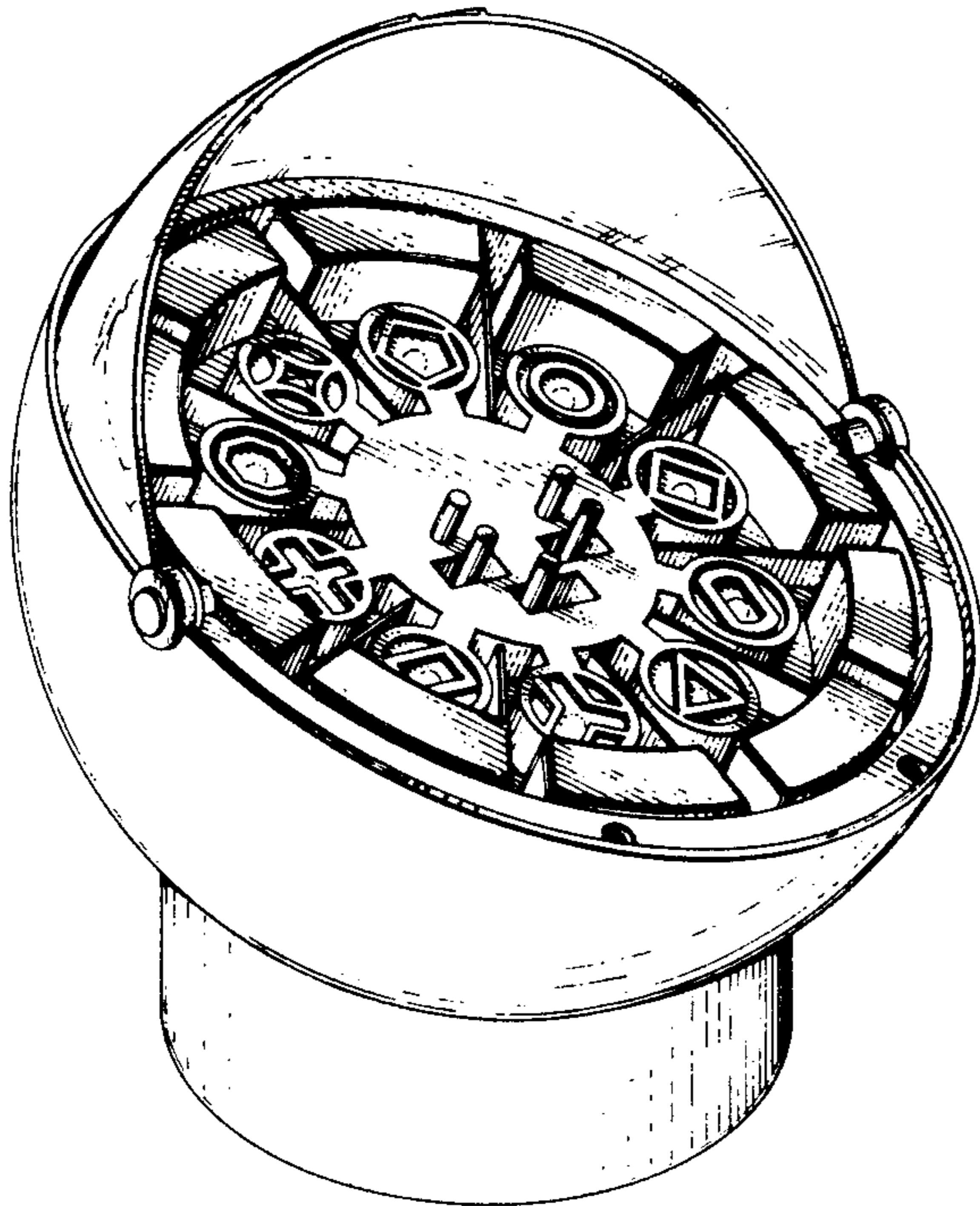


Fig. 1

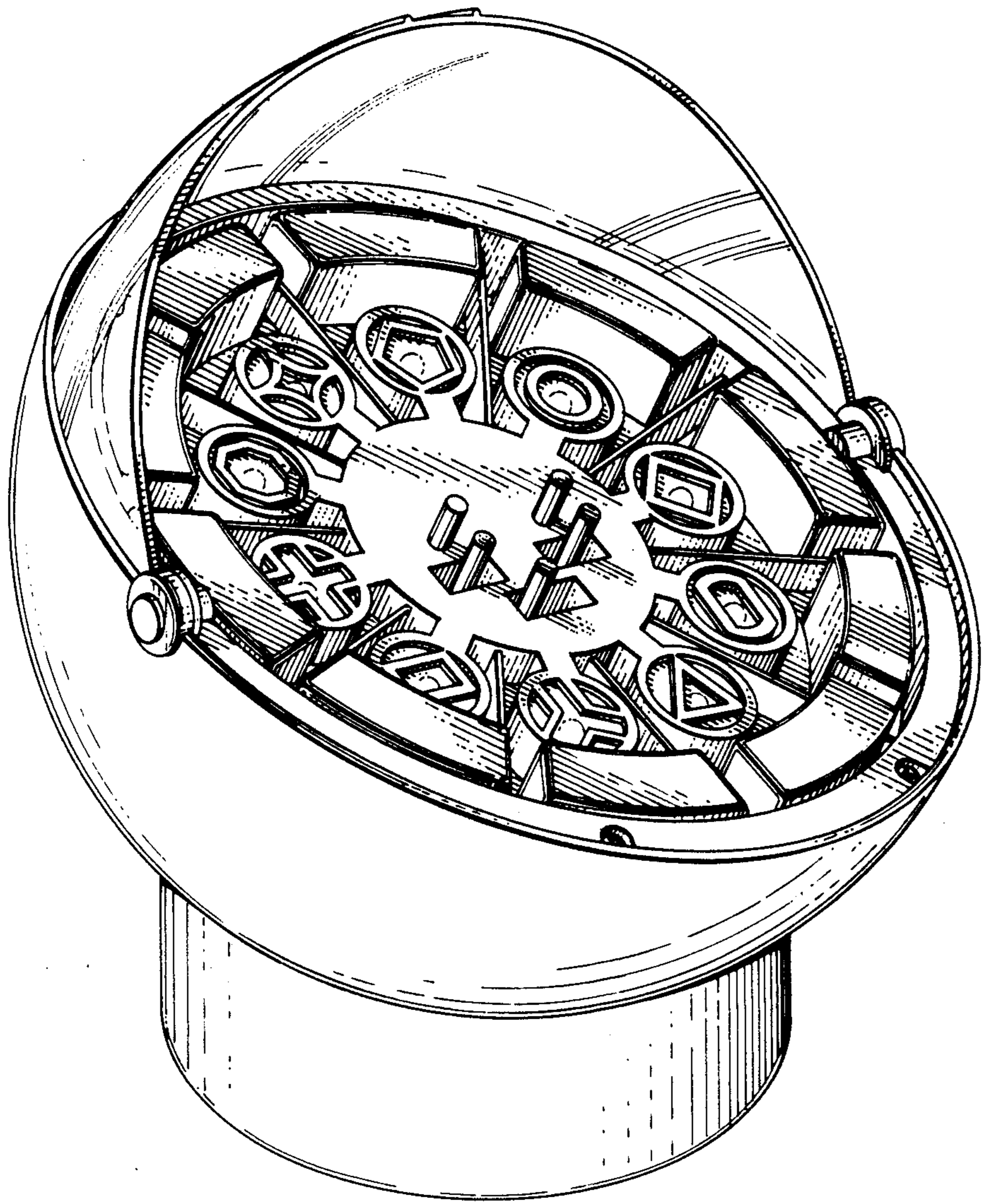


Fig. 2

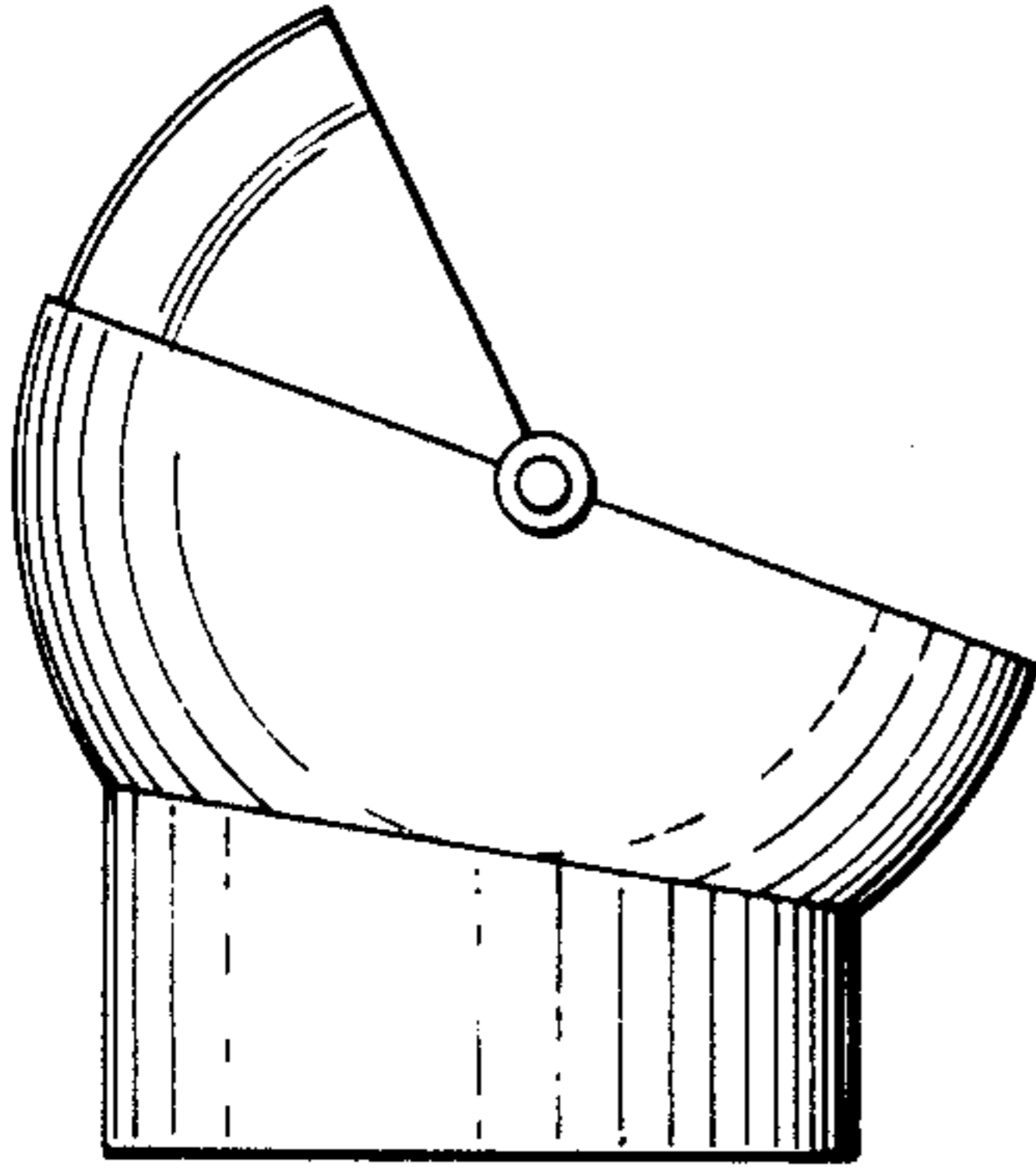


Fig. 3

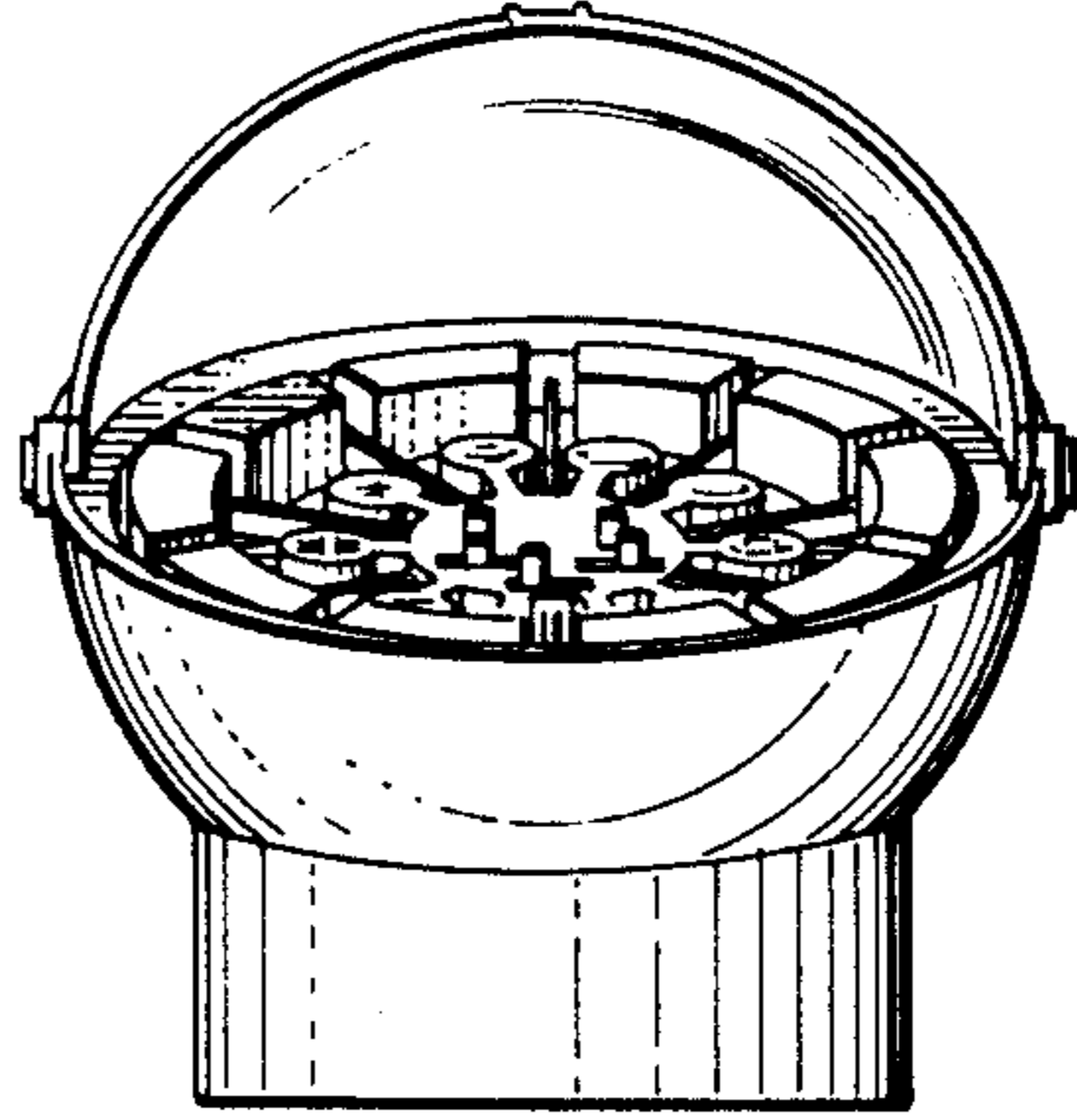


Fig. 4

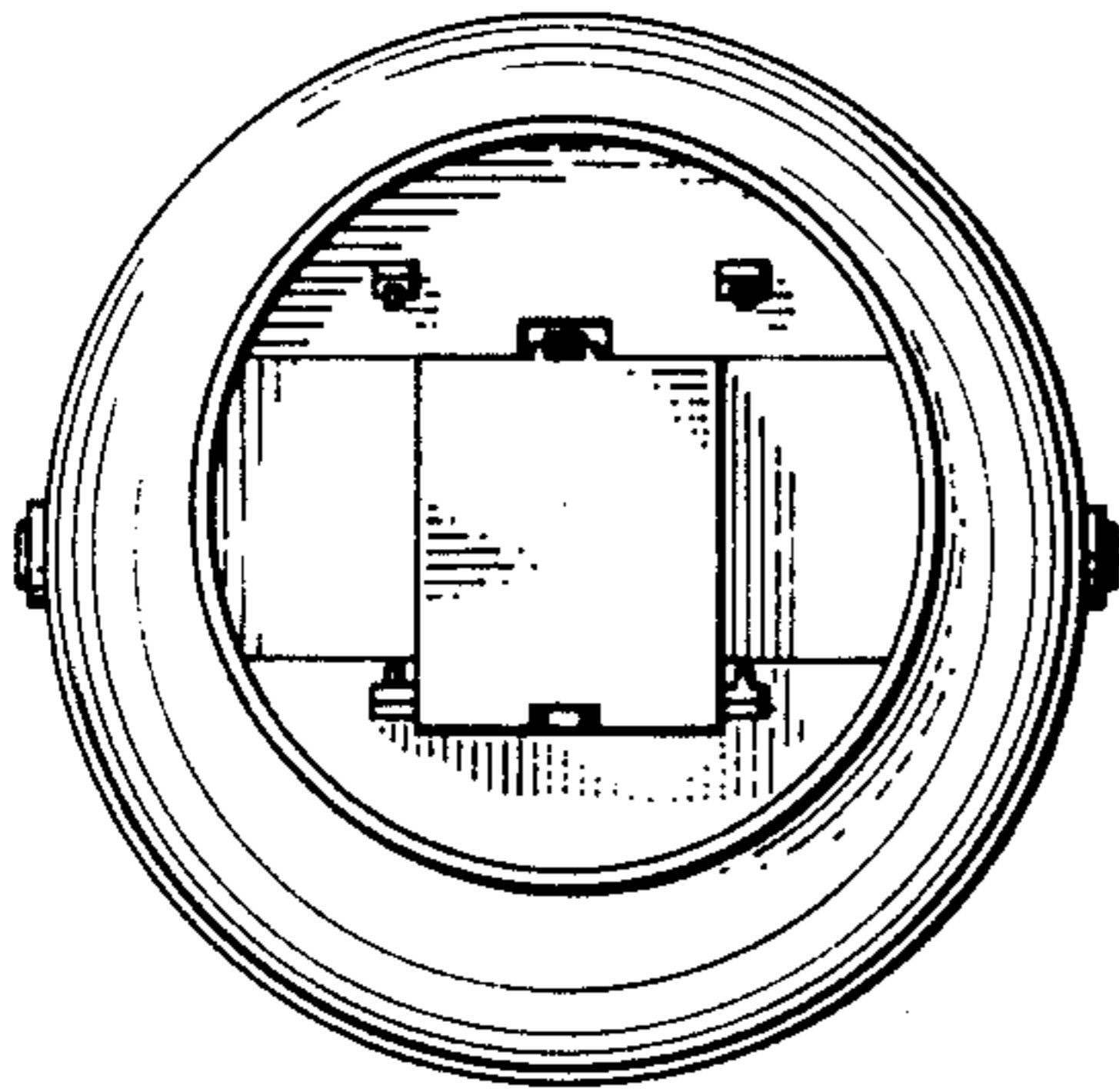


Fig. 5

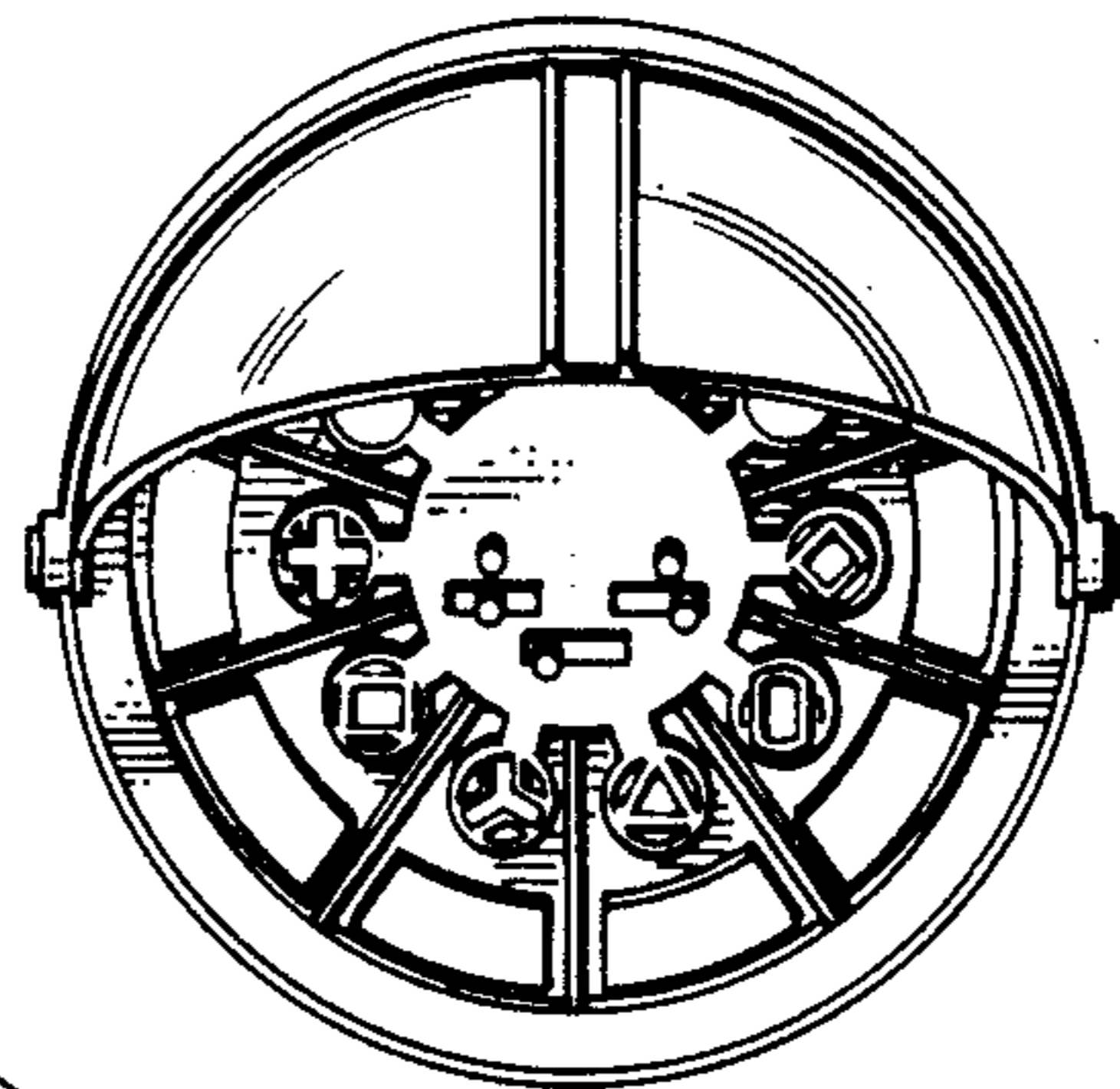


Fig. 8

Fig. 6

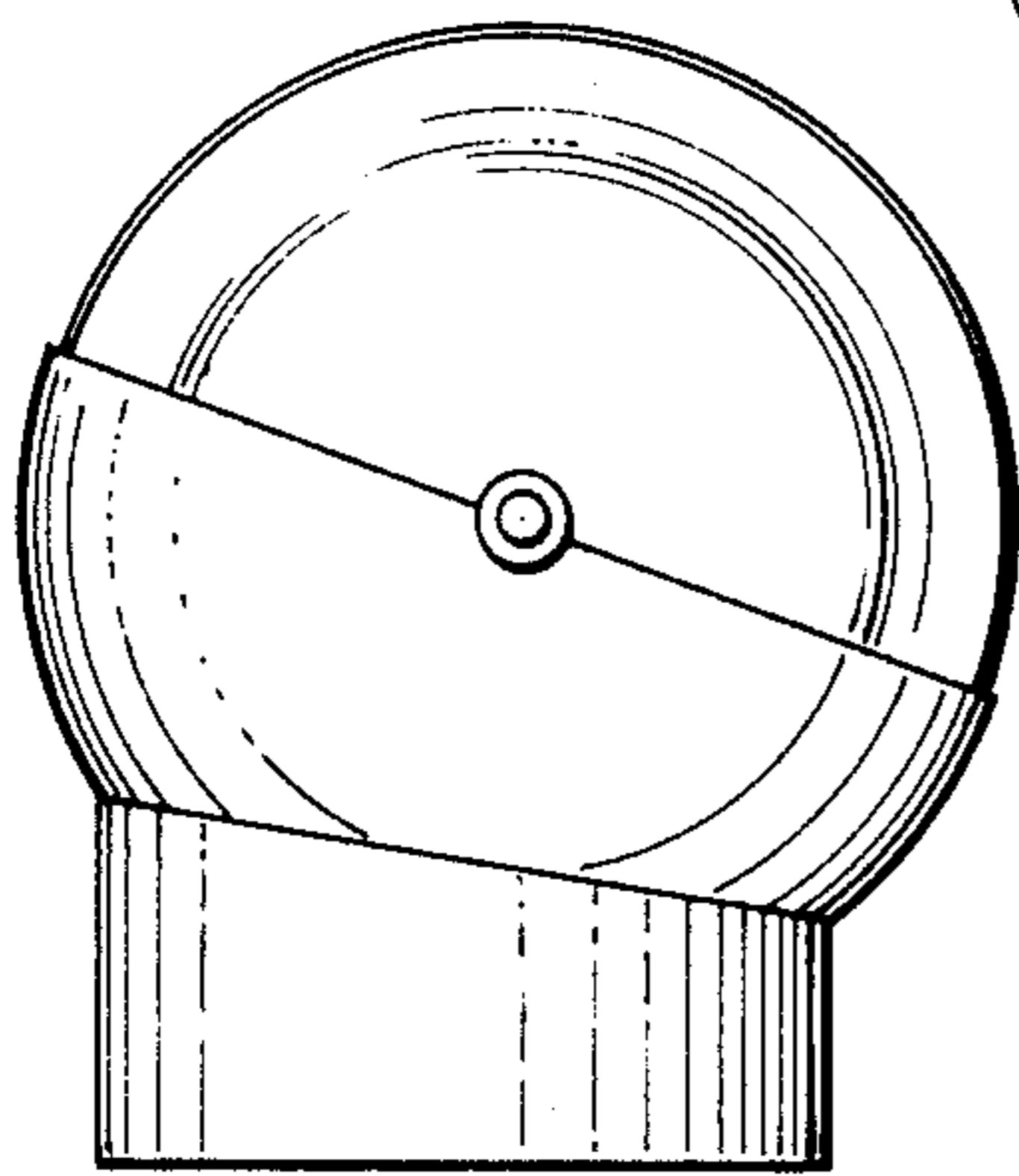


Fig. 7

