

[54] ELECTROSTATIC COPIER

[75] Inventors: Yasuyoshi Onoue; Toshio Yamamoto,
both of Yokohama, Japan

[73] Assignee: Ricoh Company, Ltd., Japan

[**] Term: 3½ Years

[21] Appl. No.: 952,576

[22] Filed: Oct. 18, 1978

[30] Foreign Application Priority Data

Apr. 28, 1978 [JP] Japan 53-16830

[51] Int. Cl. D16-03

[52] U.S. Cl. D16/31

[58] Field of Search D16/27, 28, 29, 30,
D16/31, 32; 355/3 R, 8, 9

[56] References Cited

U.S. PATENT DOCUMENTS

D. 224,665	8/1972	Hoffman	D16/31
D. 231,129	4/1974	Case et al.	D16/31
D.236,915	9/1975	Hideshima	D16/31
D. 251,912	5/1979	Nakade	D16/31

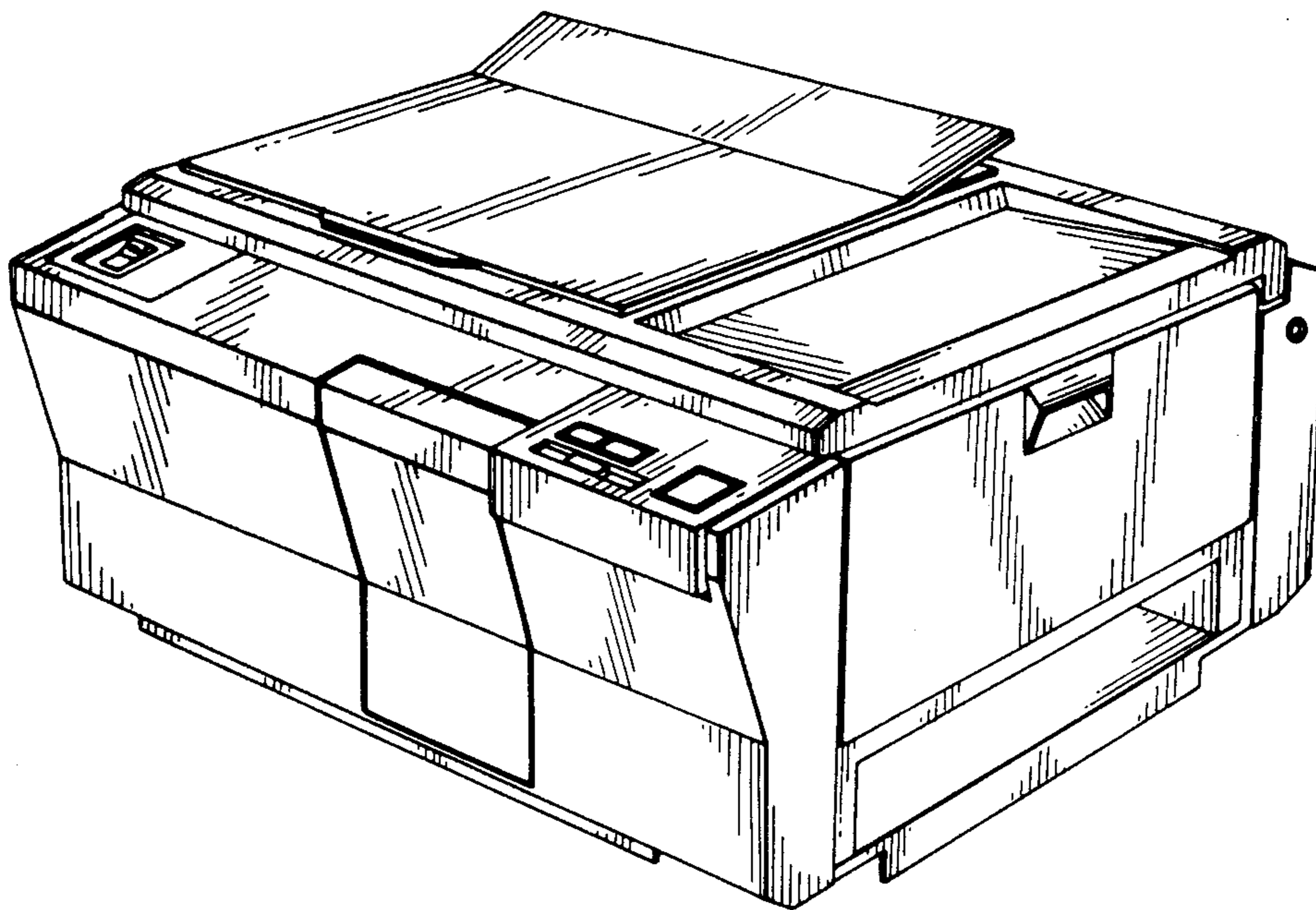
Primary Examiner—Catherine E. Kemper
Attorney, Agent, or Firm—McGlew and Tuttle

[57] CLAIM

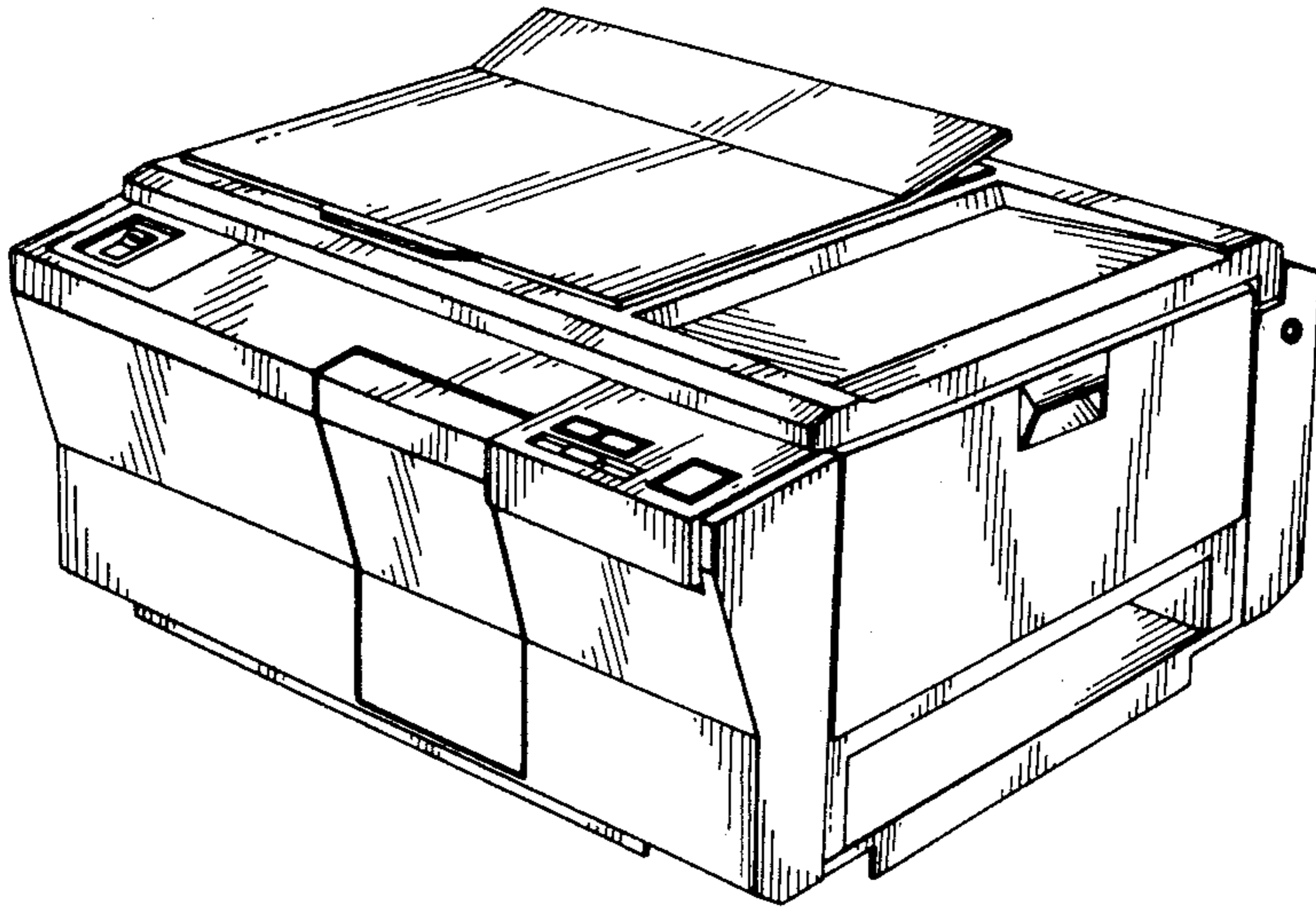
The ornamental design for an electrostatic copier, as shown.

DESCRIPTION

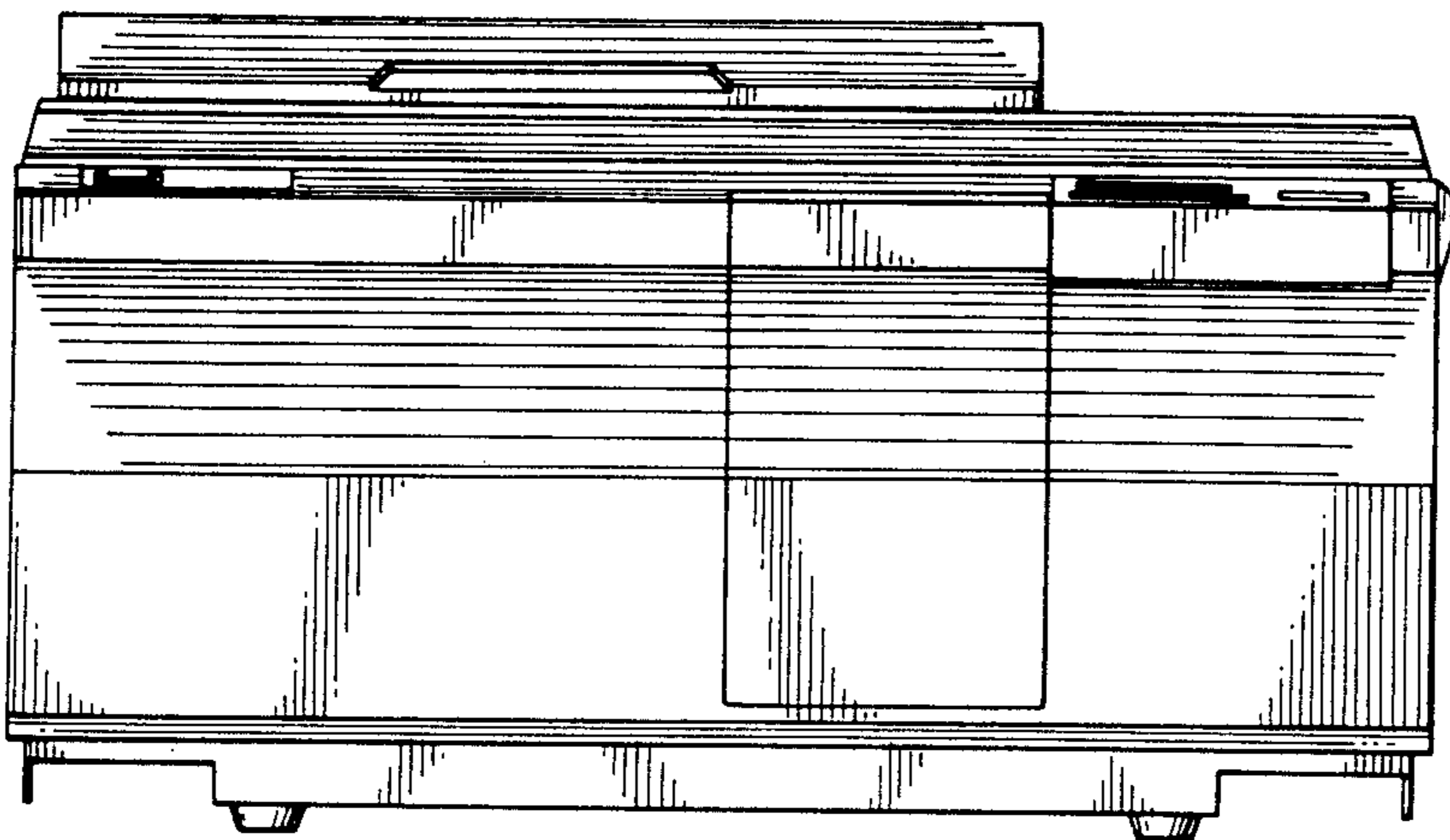
FIG. 1 is a front perspective view an electrostatic copier showing our new design;
FIG. 2 is a front elevational view thereof;
FIG. 3 is a top plan view thereof;
FIG. 4 is a right side elevational view thereof;
FIG. 5 is a left side elevational view thereof;
FIG. 6 is a rear elevational view thereof; and
FIG. 7 is a bottom view thereof.



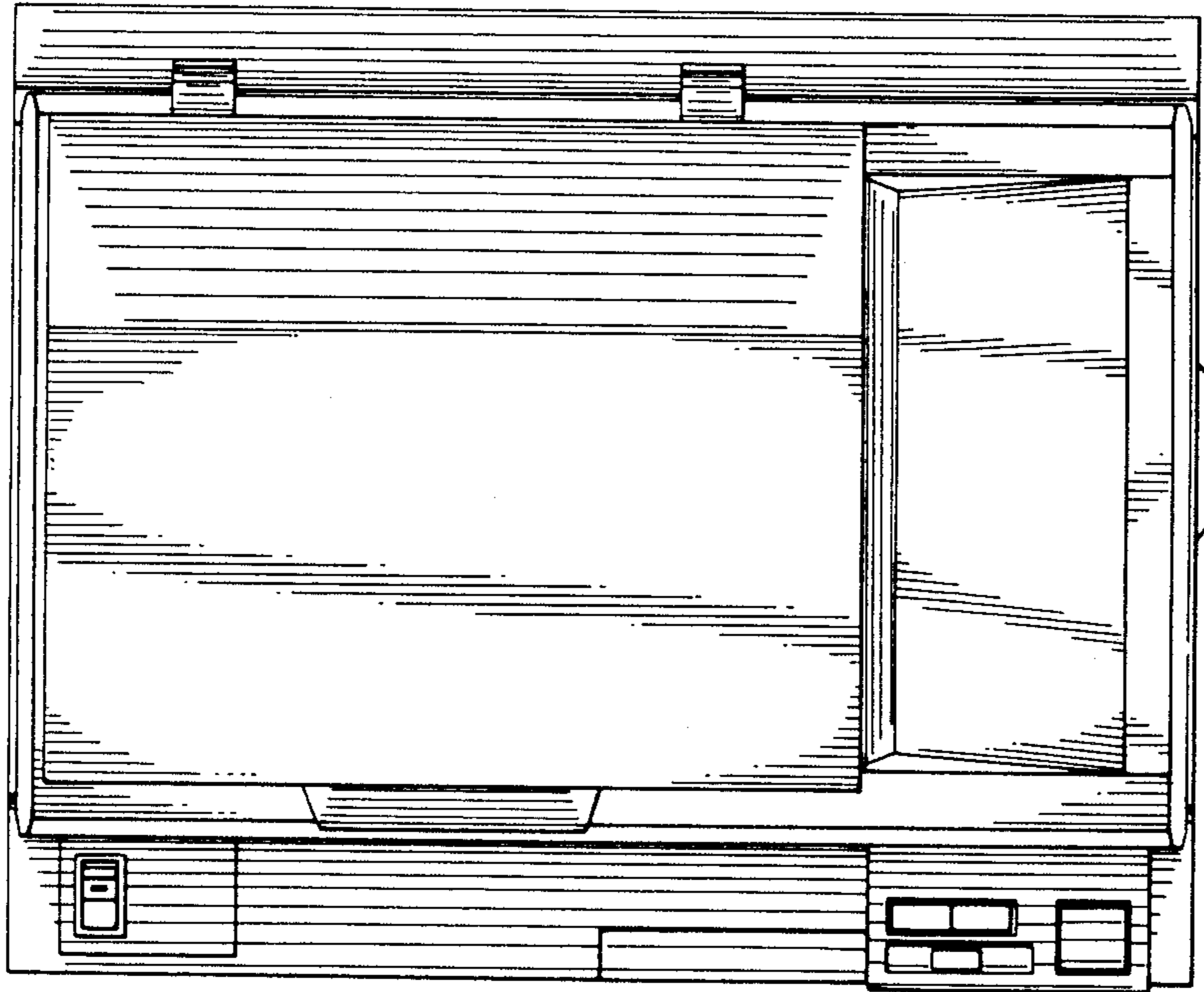
F I G . 1



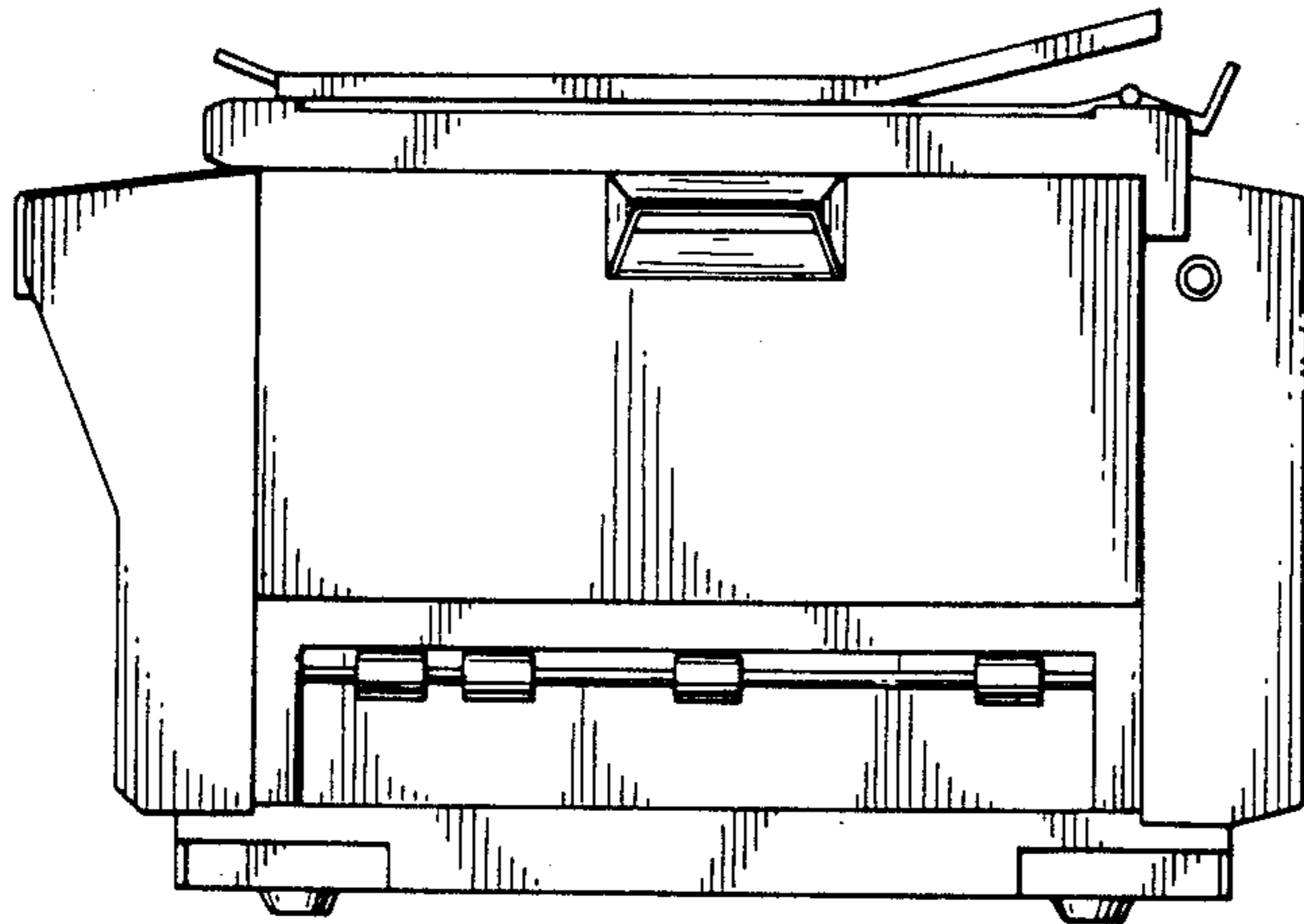
F I G . 2



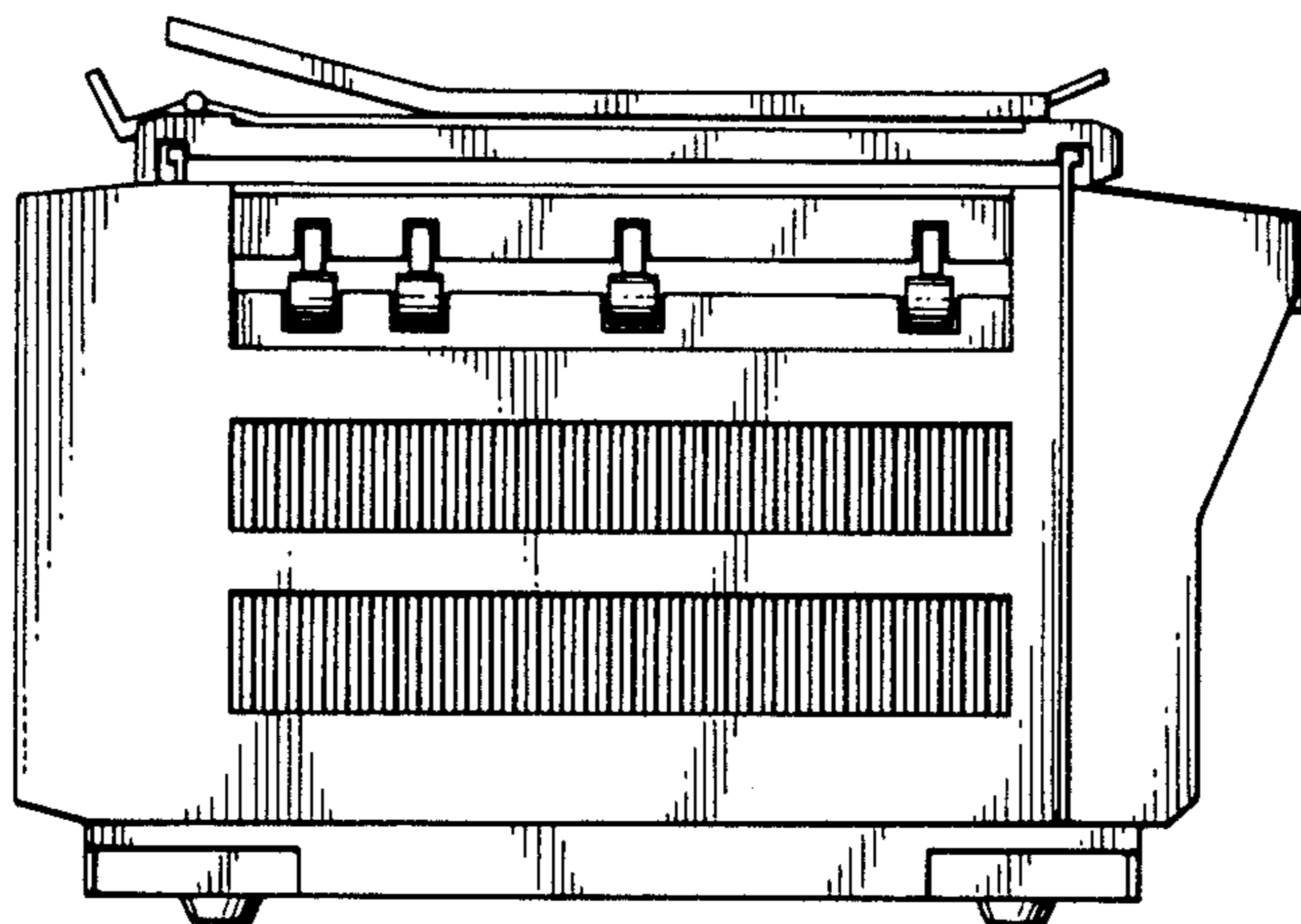
F I G . 3



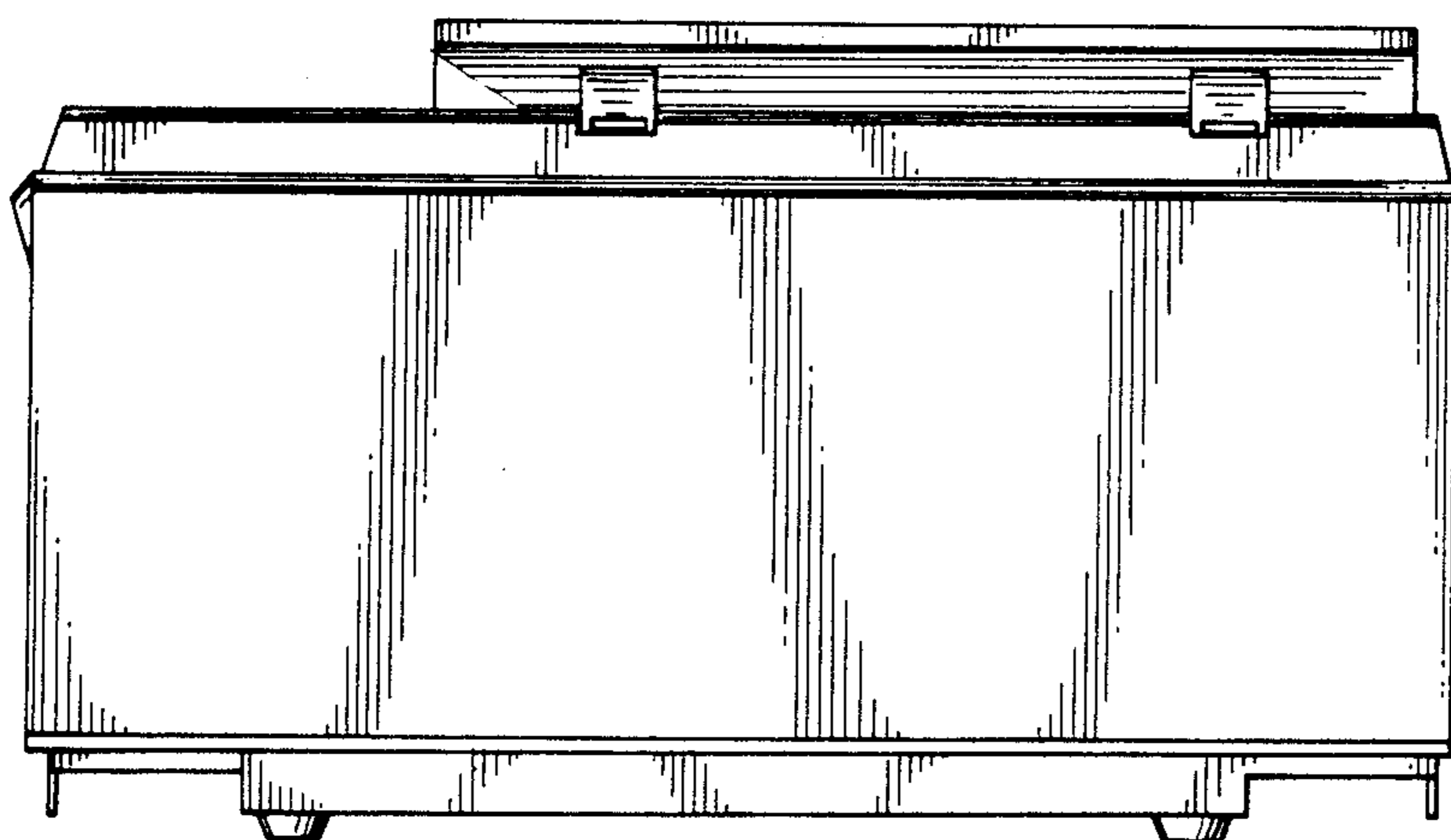
F I G . 4



F I G . 5



F I G . 6



F I G . 7

