

[54] TELEPHONE

4,087,650 5/1978 Tucker 179/100 D

[76] Inventor: Wesley L. Thomas, 109 S. Catalina St., Los Angeles, Calif. 90004

OTHER PUBLICATIONS

The Sunday Star, Wash. D.C., p. 24, item No. #4, Concord Coach, Oct. 5, 1947.

[**] Term: 14 Years

Primary Examiner—Bernard Ansher
Attorney, Agent, or Firm—Keith D. Beecher

[21] Appl. No.: 36,596

[57] CLAIM

[22] Filed: May 7, 1979

The ornamental design for a telephone, substantially as shown and described.

[51] Int. Cl. D14—03

[52] U.S. Cl. D14/53; D21/111; D21/133

[58] Field of Search D14/53, 60, 69; D21/111, 133; 179/100 D, 100 R, 178, 179

DESCRIPTION

FIG. 1 is a top plan view of a telephone showing my new design;

FIG. 2 is a side elevation thereof;

FIG. 3 is a top perspective view thereof, with the handset in a separated position;

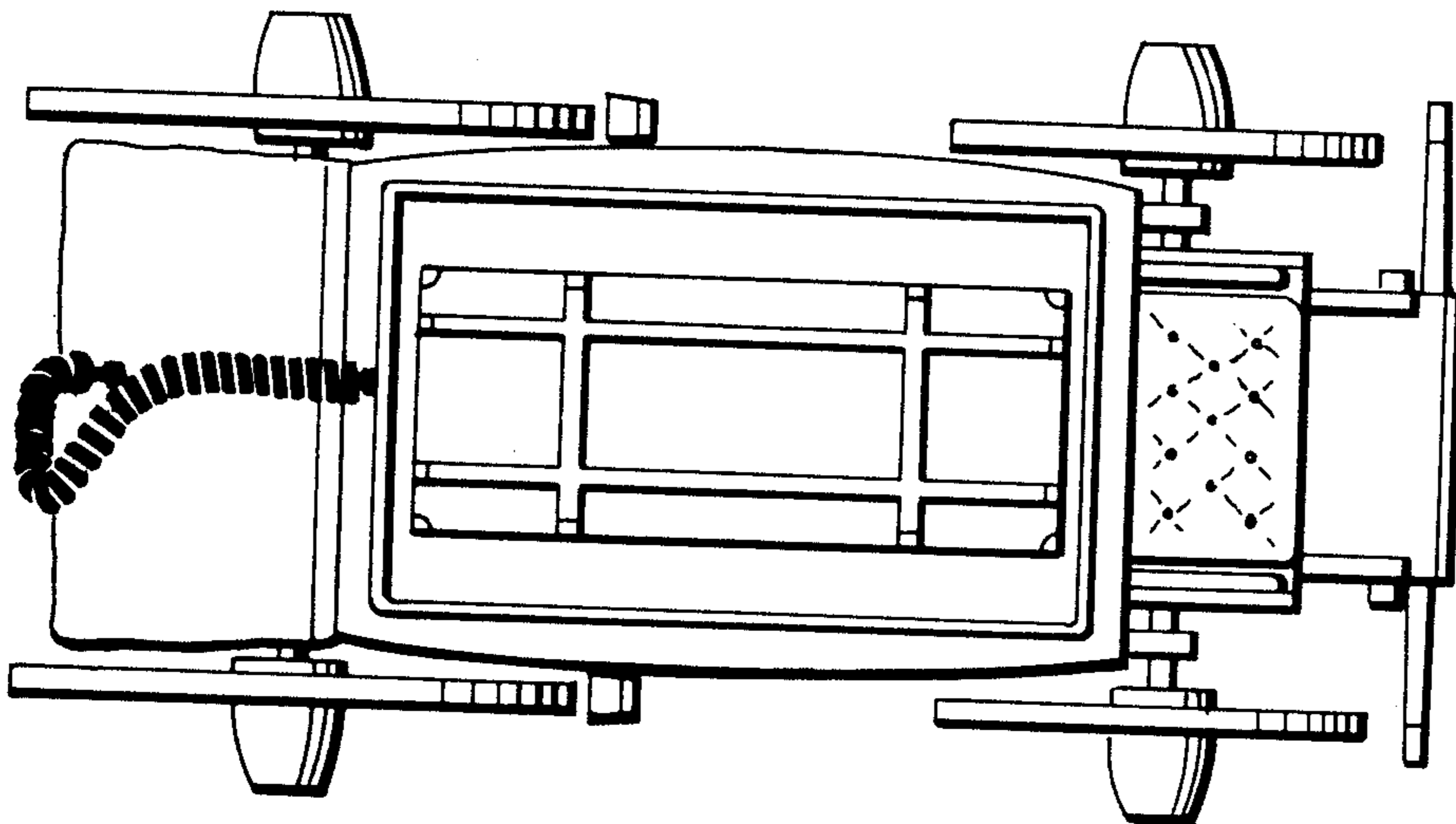
FIG. 4 is an elevation as seen from the opposite side of FIG. 2; and

FIG. 5 is a rear elevation thereof.

[56] References Cited

U.S. PATENT DOCUMENTS

D. 247,175	2/1978	Oliney	D14/69
D. 248,556	7/1978	Thomas	D14/53
D. 250,023	10/1978	Perkins et al.	D14/53



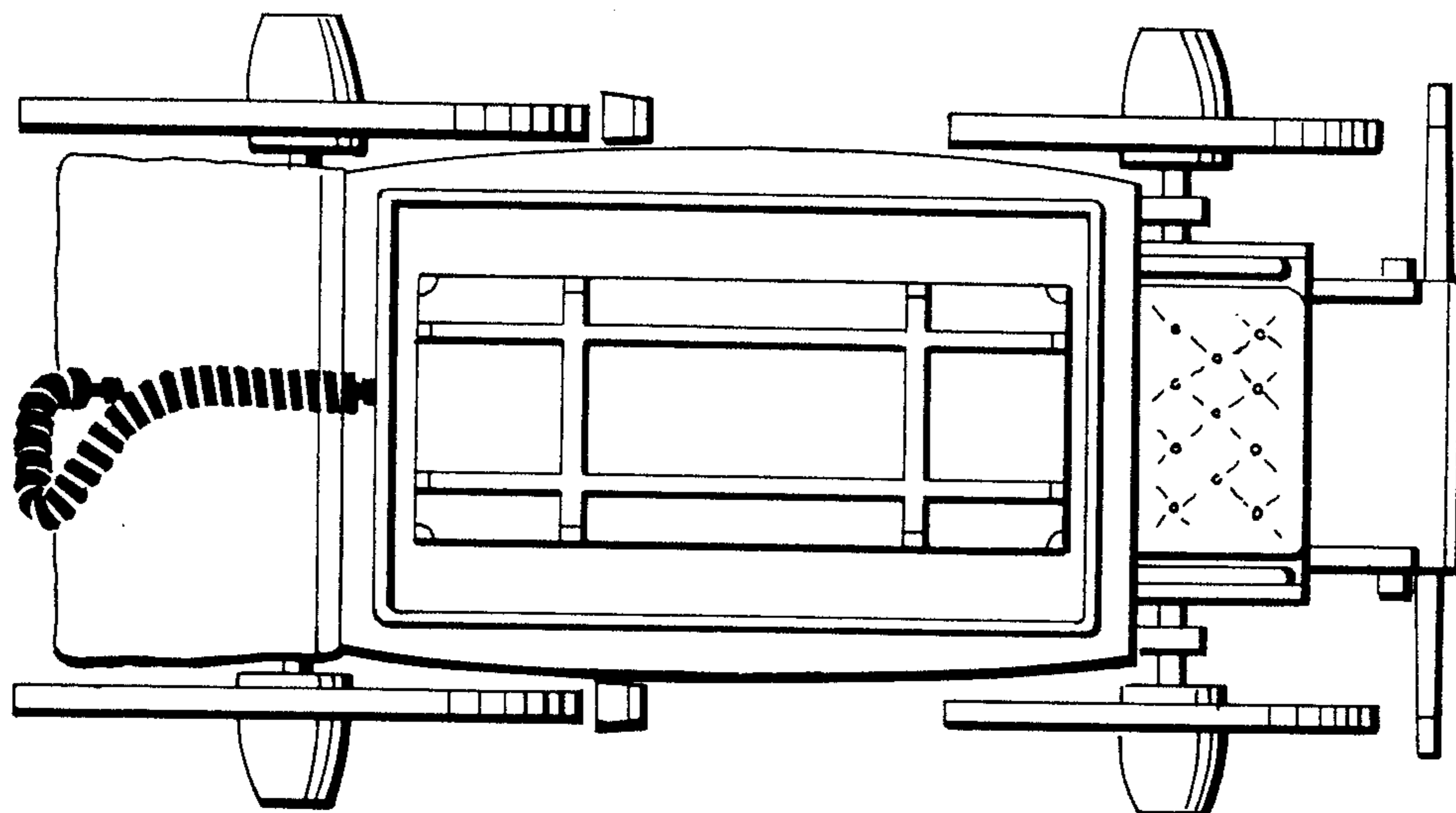


FIG. 1

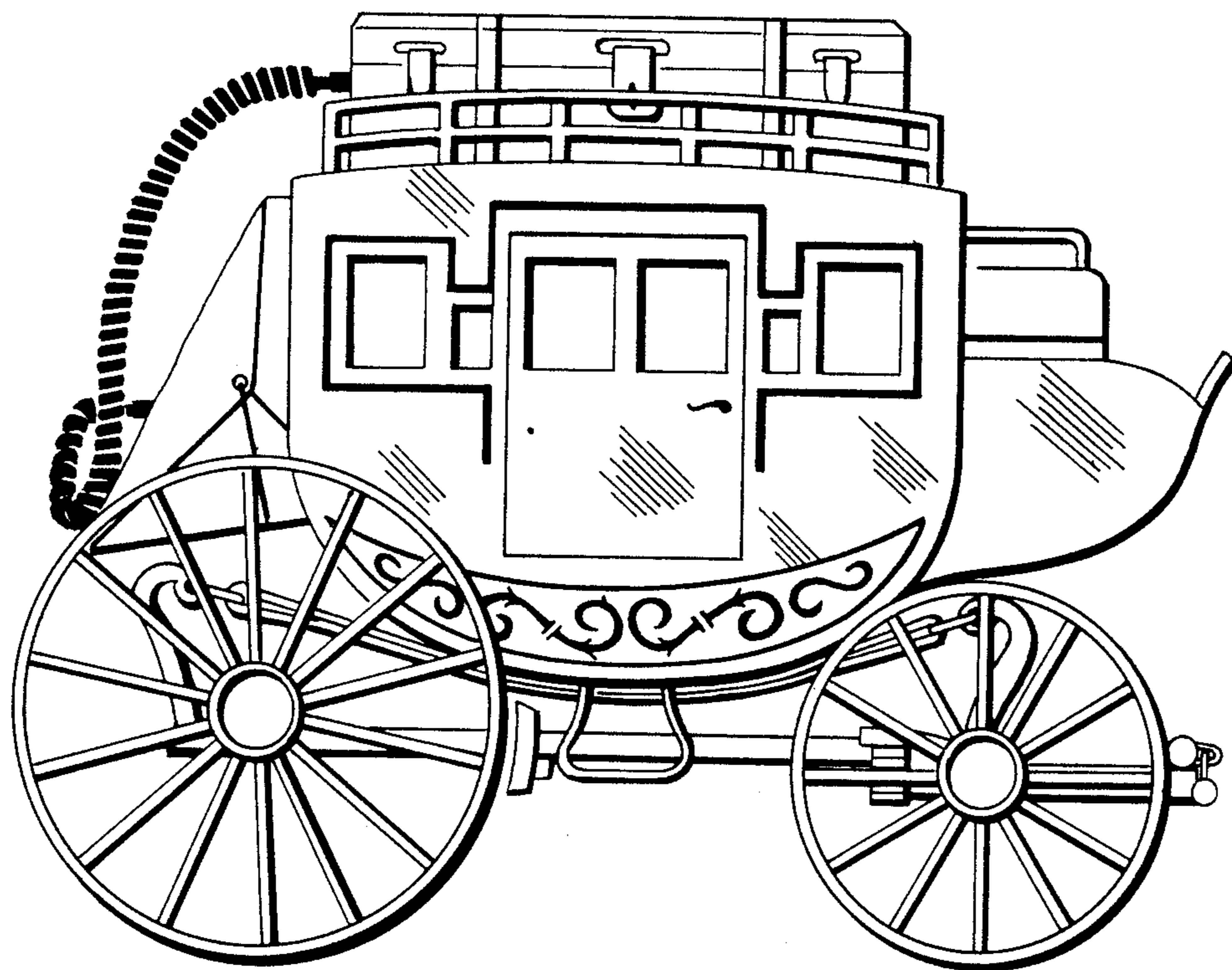


FIG. 2

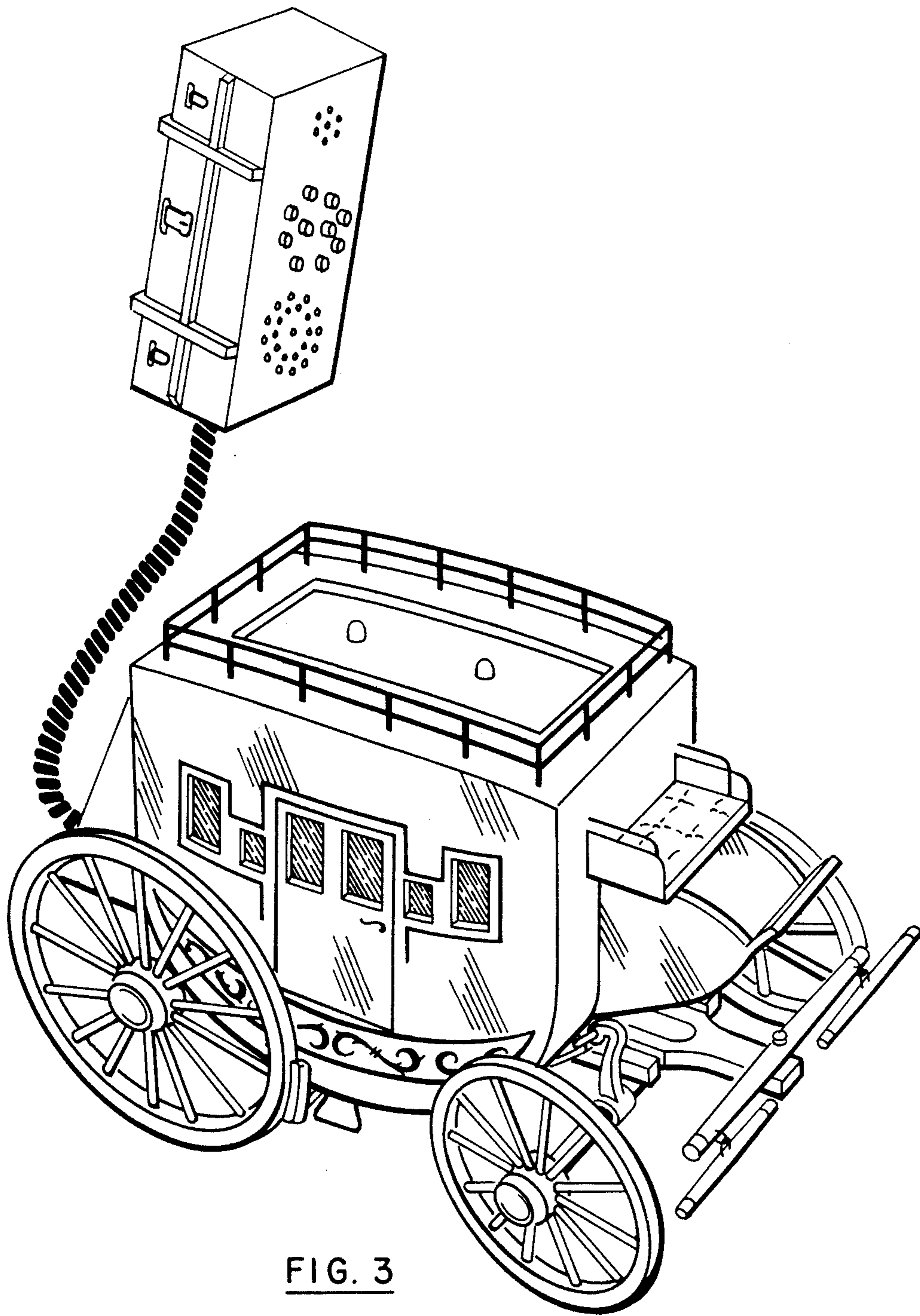


FIG. 3

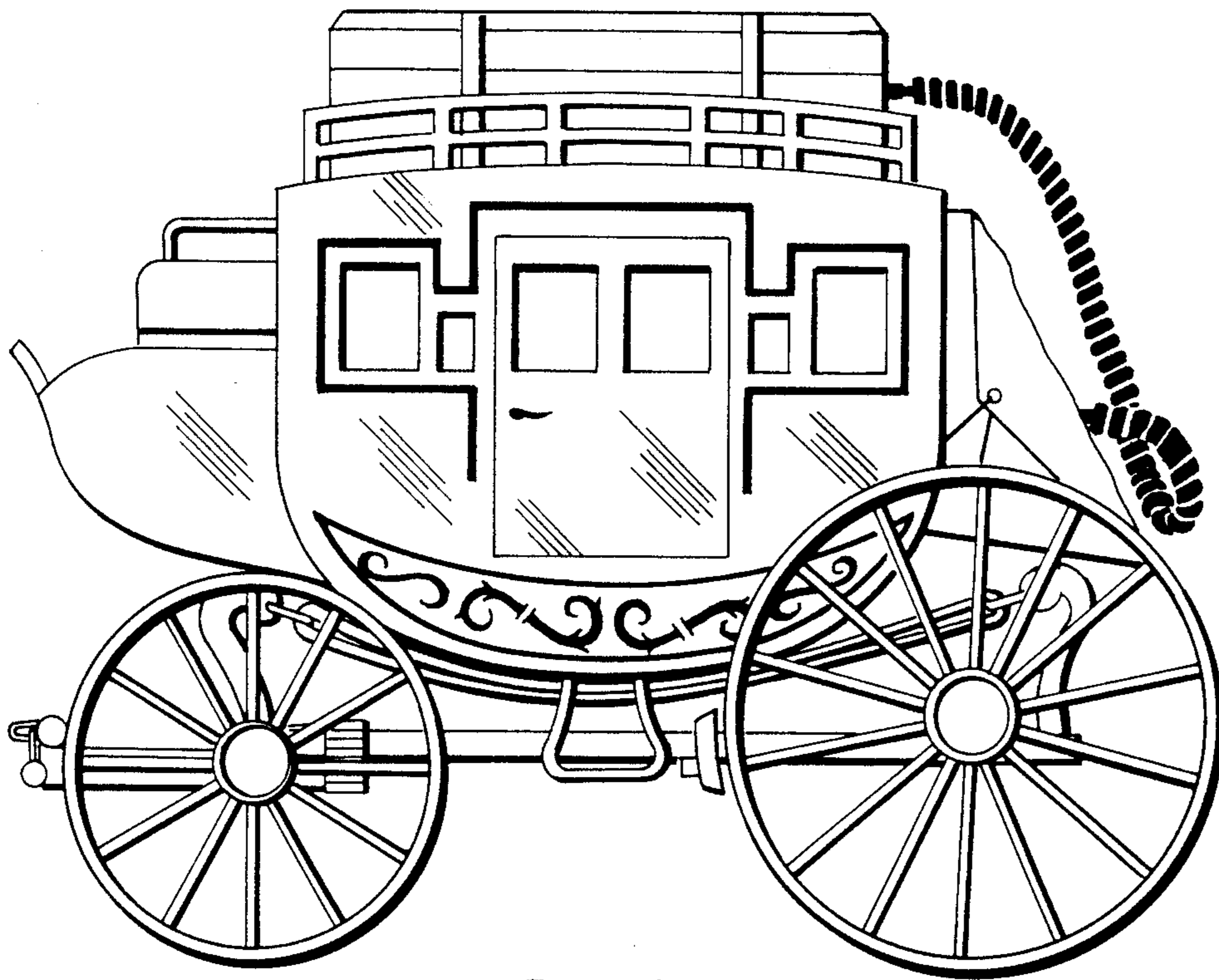


FIG. 4

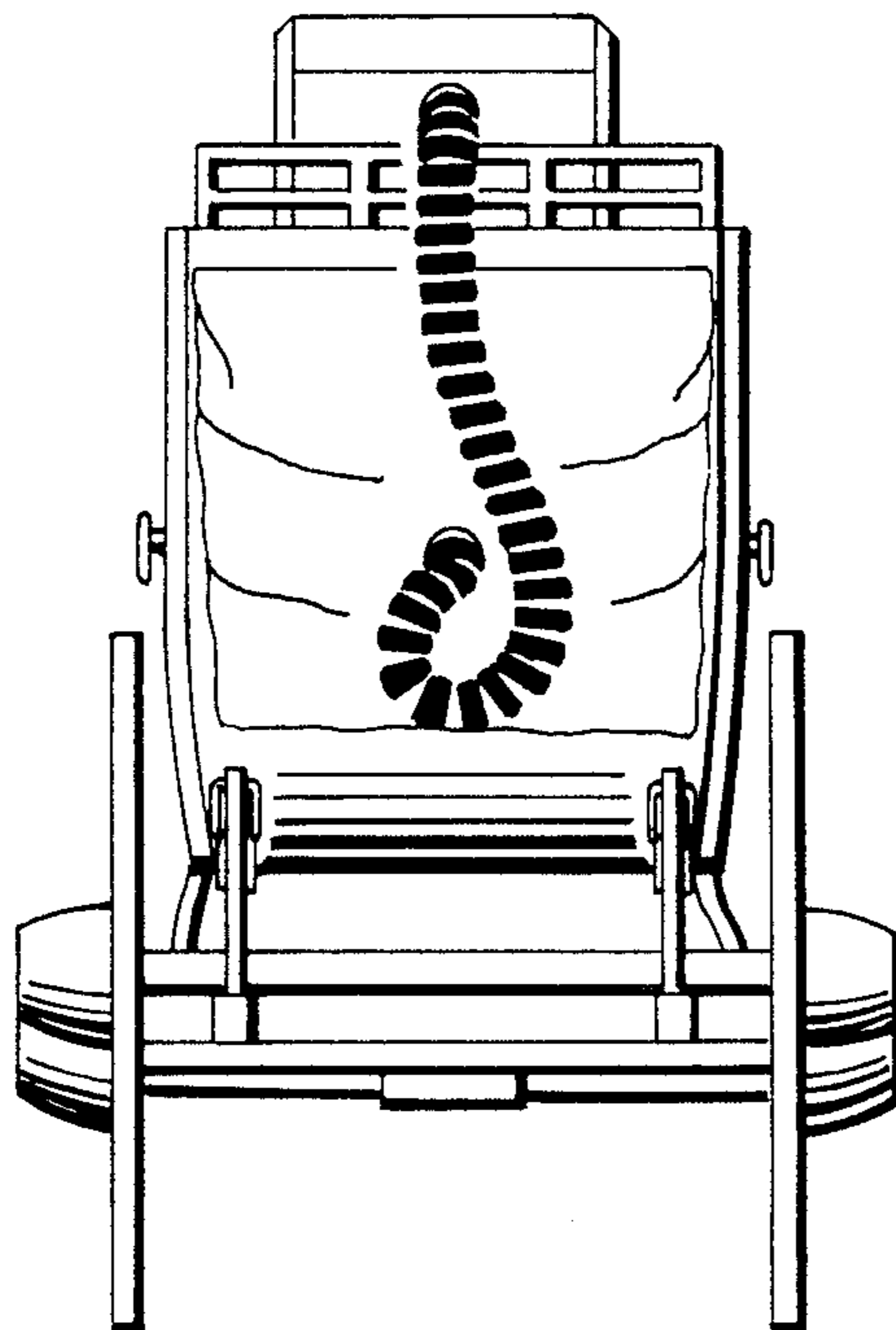


FIG. 5