

[54] TELEPHONE

[76] Inventor: Wesley L. Thomas, 109 S. Catalina St., Los Angeles, Calif. 90004

[\*\*] Term: 14 Years

[21] Appl. No.: 36,594

[22] Filed: May 7, 1979

[51] Int. Cl. .... D14-03

[52] U.S. Cl. .... D14/53; D21/75; D21/111

[58] Field of Search ..... D21/75, 76, 111; D14/53, 59, 60; 179/100 R, 100 D, 178, 179; D11/157

[56] References Cited

U.S. PATENT DOCUMENTS

D. 69,644 3/1926 Dyer ..... D21/75

D. 247,175 2/1978 Oliney ..... D14/69  
D. 248,556 7/1978 Thomas ..... D14/53  
D. 250,023 10/1978 Perkins ..... D14/53  
4,087,650 5/1978 Tucker ..... 179/179 X

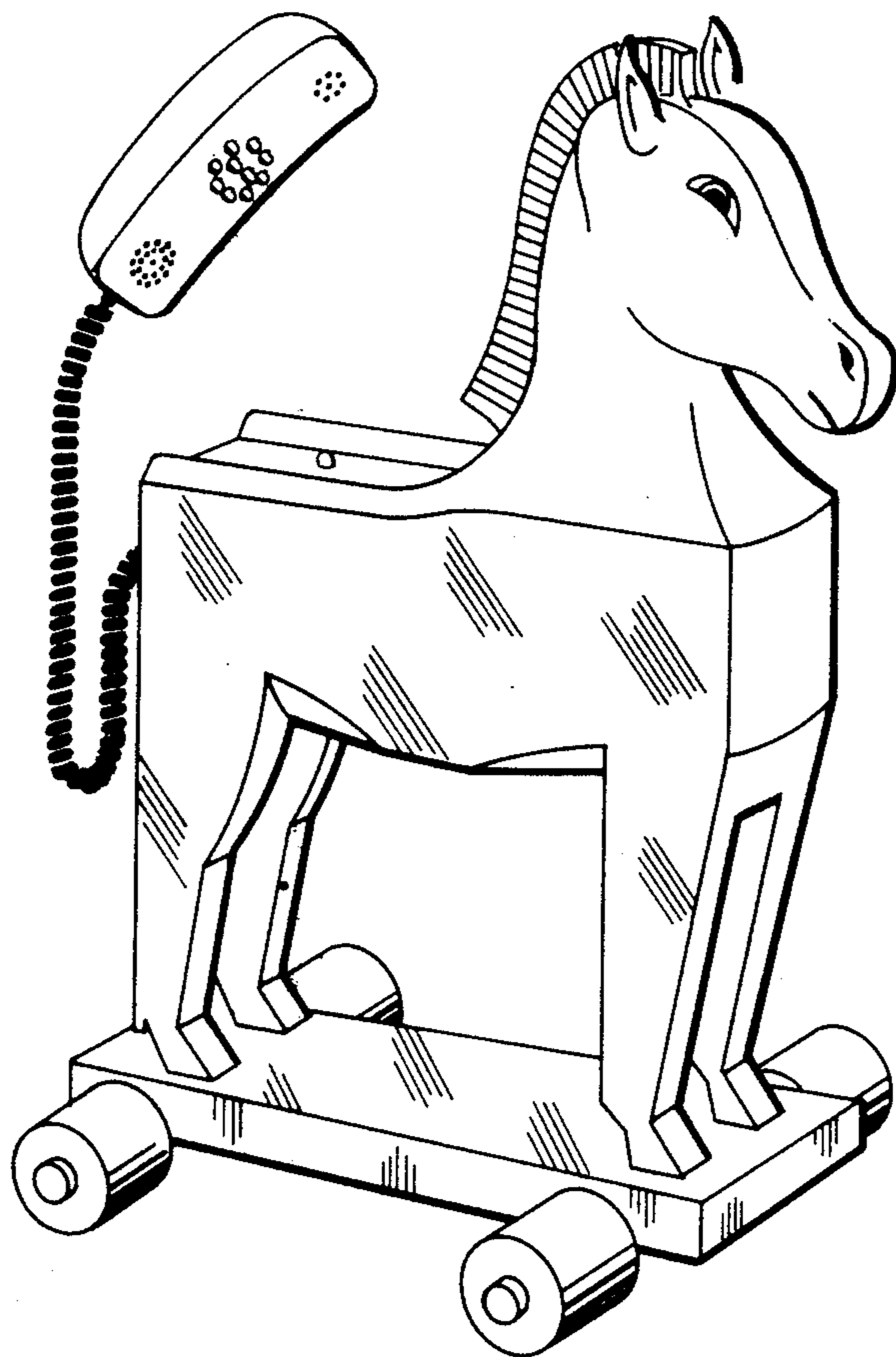
Primary Examiner—Bernard Ansher  
Attorney, Agent, or Firm—Keith D. Beecher

[57] CLAIM

The ornamental design for a telephone, substantially as shown and described.

DESCRIPTION

FIG. 1 is a top plan view of a telephone showing my new design;  
FIG. 2 is a side view of my new design;  
FIG. 3 is a perspective view of my design, taken from the front, and to one side, and showing the telephone handset in a displaced position;  
FIG. 4 is a second side view of my new design; and  
FIG. 5 is a rear view of my new design.



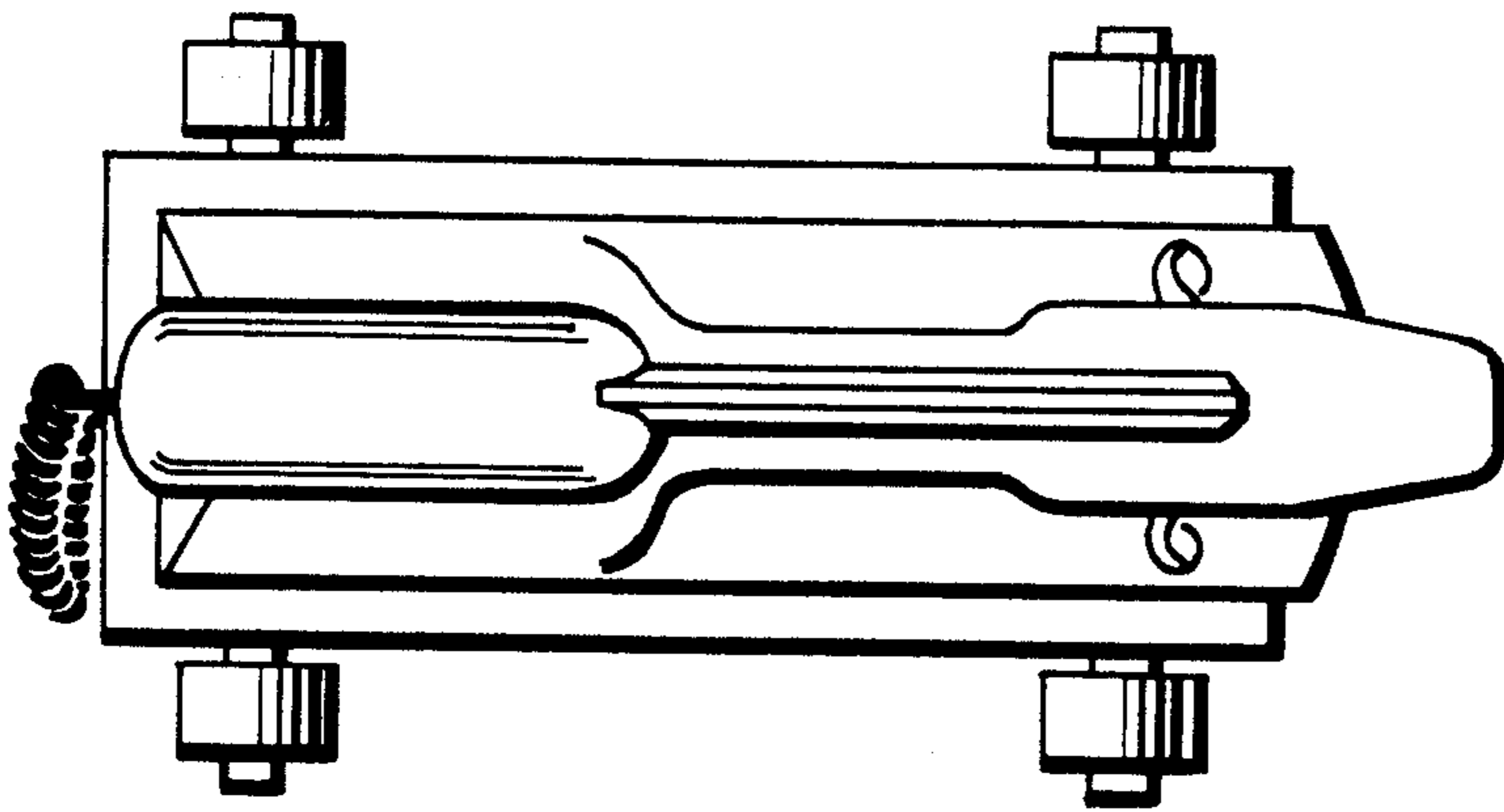


FIG. 1

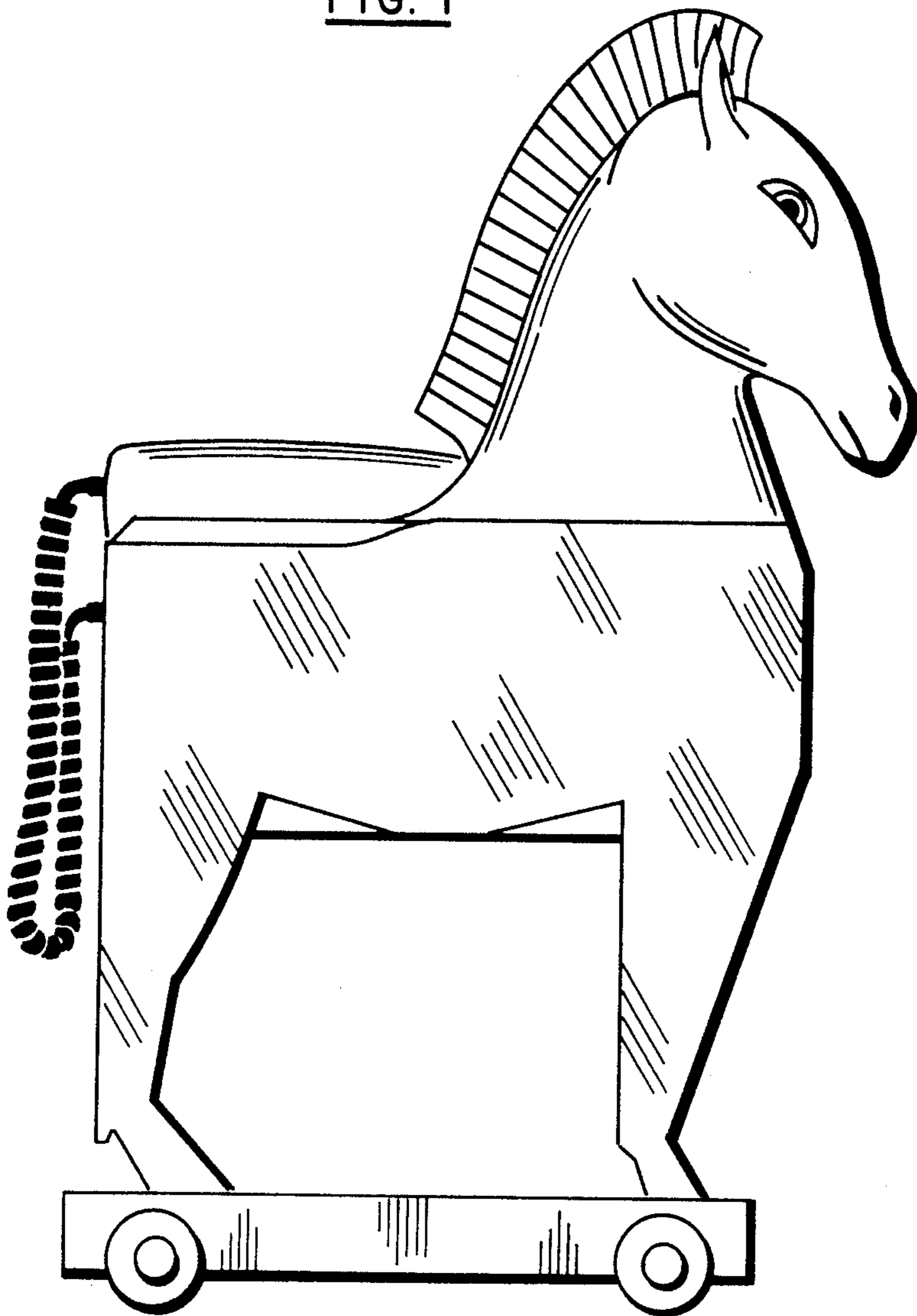


FIG. 2

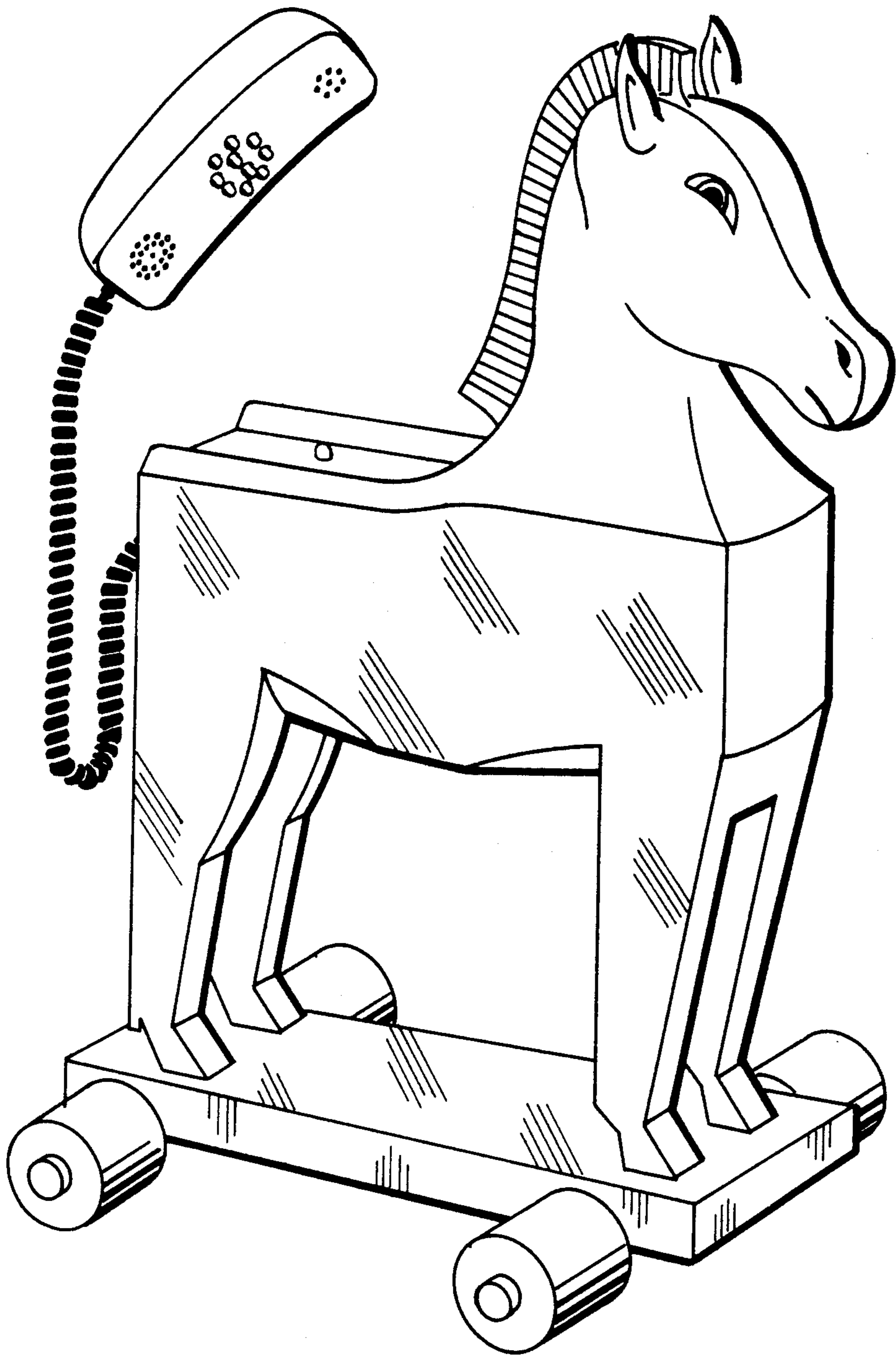


FIG. 3

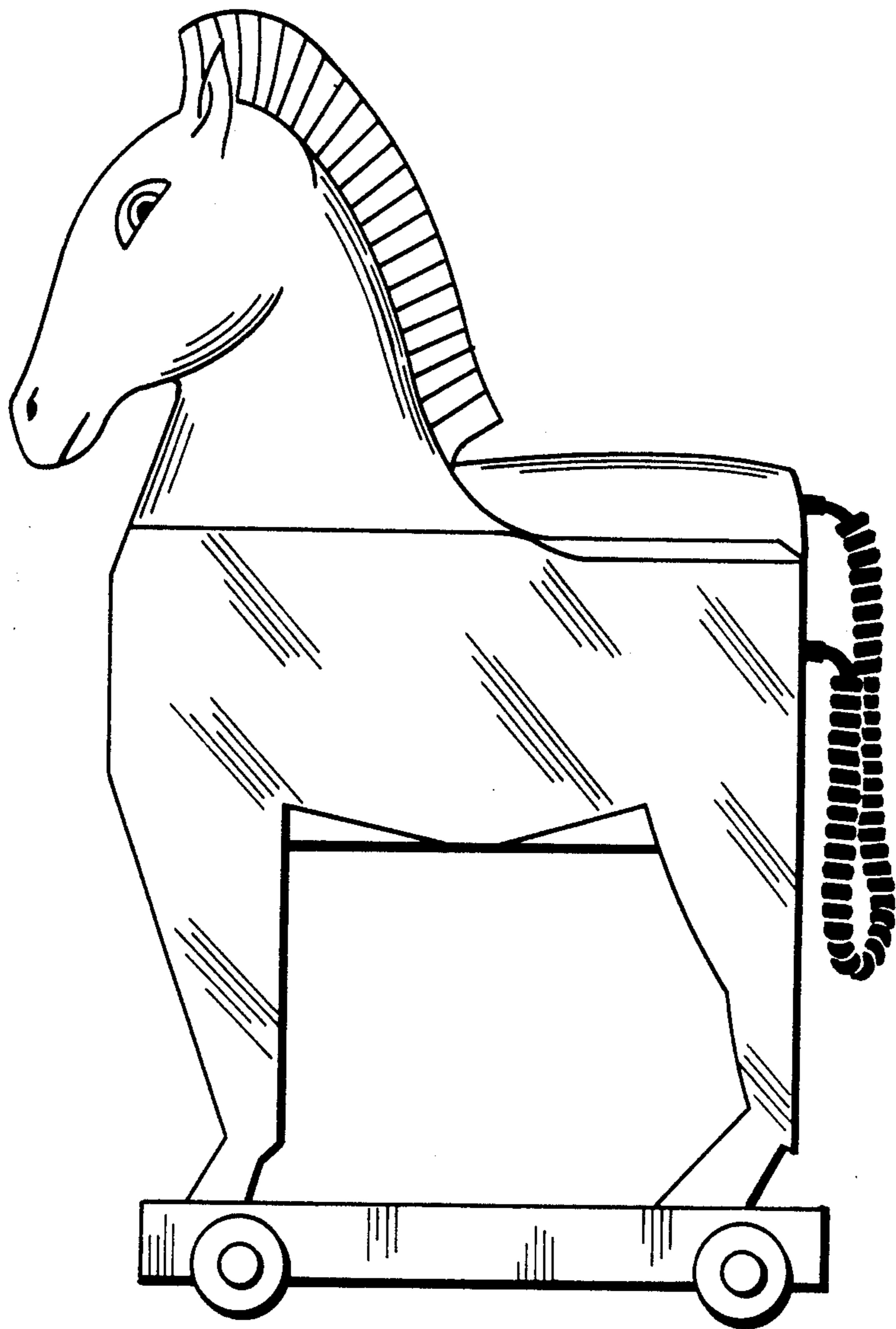


FIG. 4

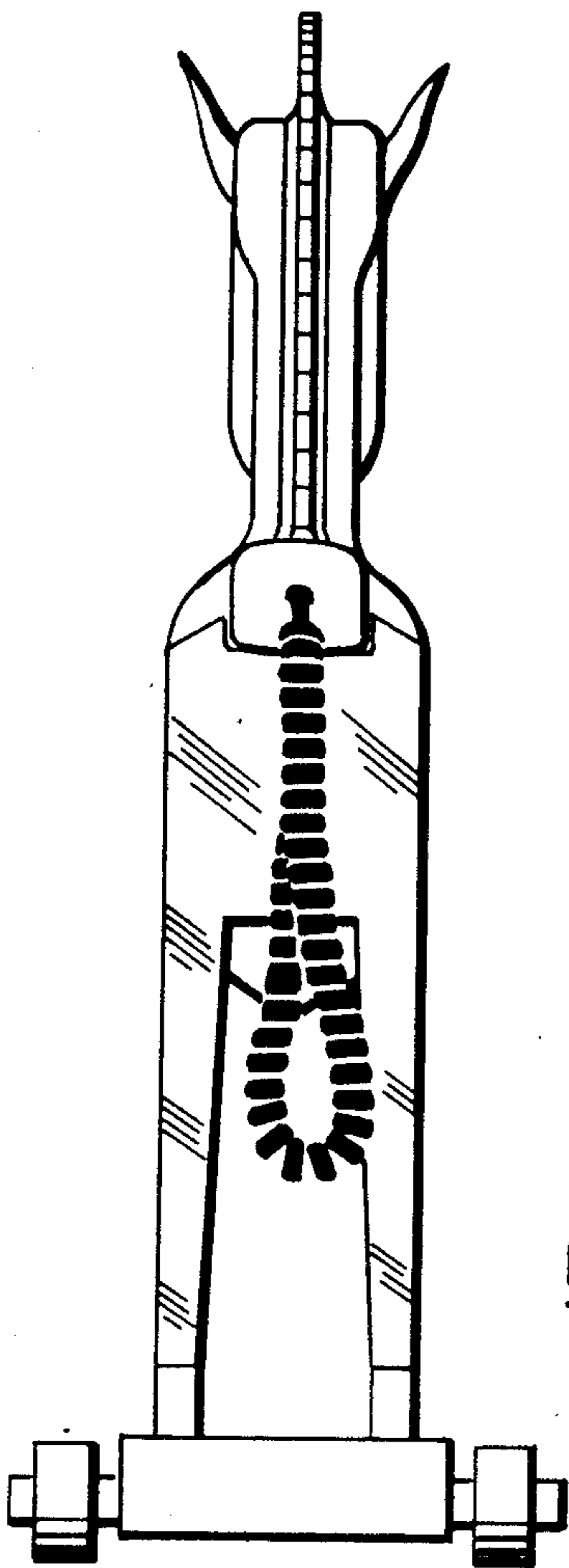


FIG. 5