

[54] DISC BRAKE PAD YOKE

[75] Inventor: David D. Sheill, Farmington Hills, Mich.

[73] Assignee: Kelsey-Hayes Company, Romulus, Mich.

[\*\*] Term: 14 Years

[21] Appl. No.: 84,266

[22] Filed: Oct. 12, 1979

Related U.S. Application Data

[63] Continuation of Ser. No. 878,958, Feb. 17, 1978, abandoned.

[51] Int. Cl. .... D12-16

[52] U.S. Cl. .... D12/180

[58] Field of Search ..... D12/179, 180; 188/73.1, 188/73.2, 73.3, 218 XL, 250 R, 250 H, 250 E, 250 G, 250 B, 250 A

[56] References Cited

U.S. PATENT DOCUMENTS

3,371,749 3/1968 Lucien et al. .... 188/73.1  
3,958,667 5/1976 De Gennes ..... 188/73.1

Primary Examiner—James M. Gandy  
Attorney, Agent, or Firm—Ralph J. Skinkiss; Ronald W. Wangerow

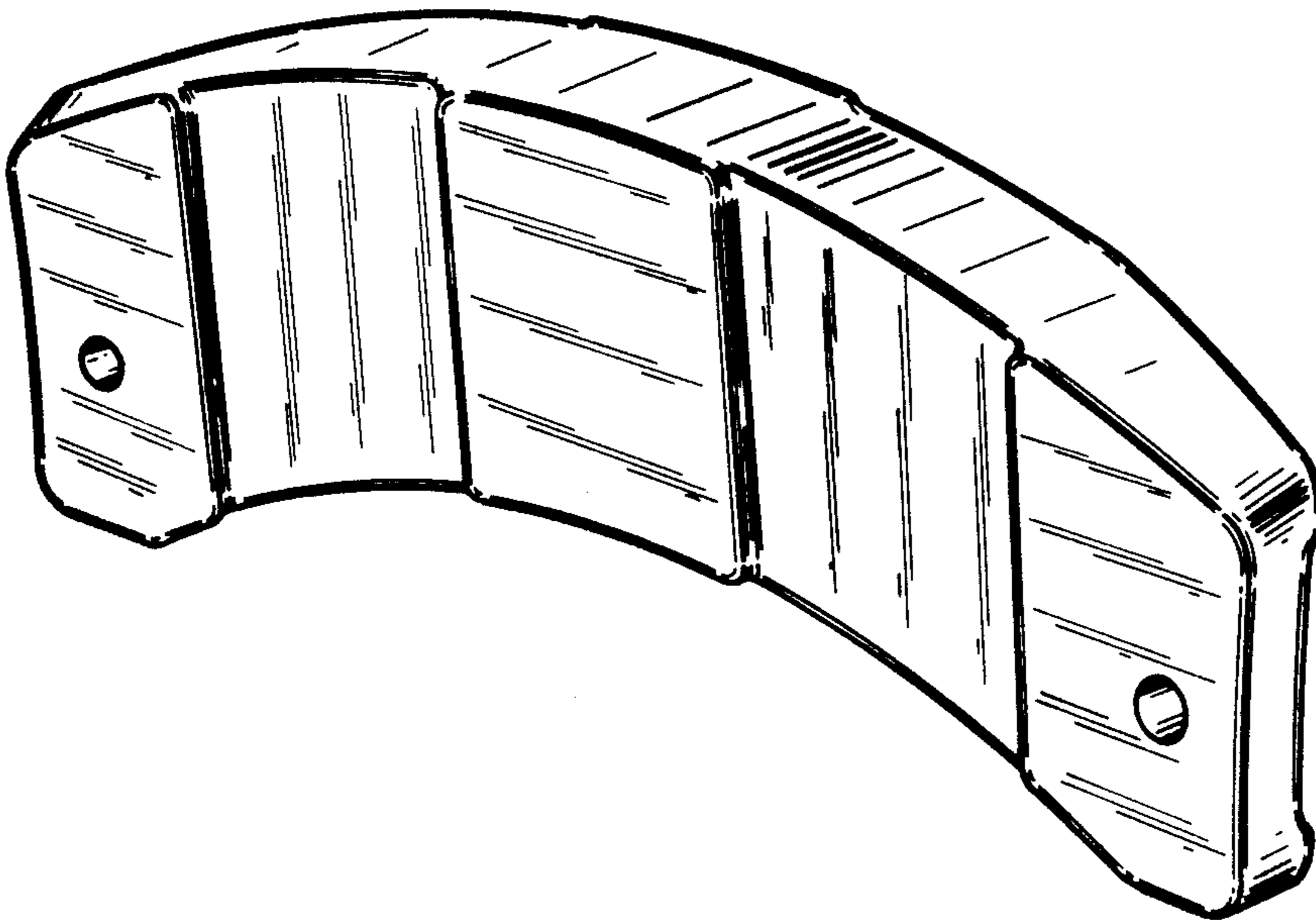
[57] CLAIM

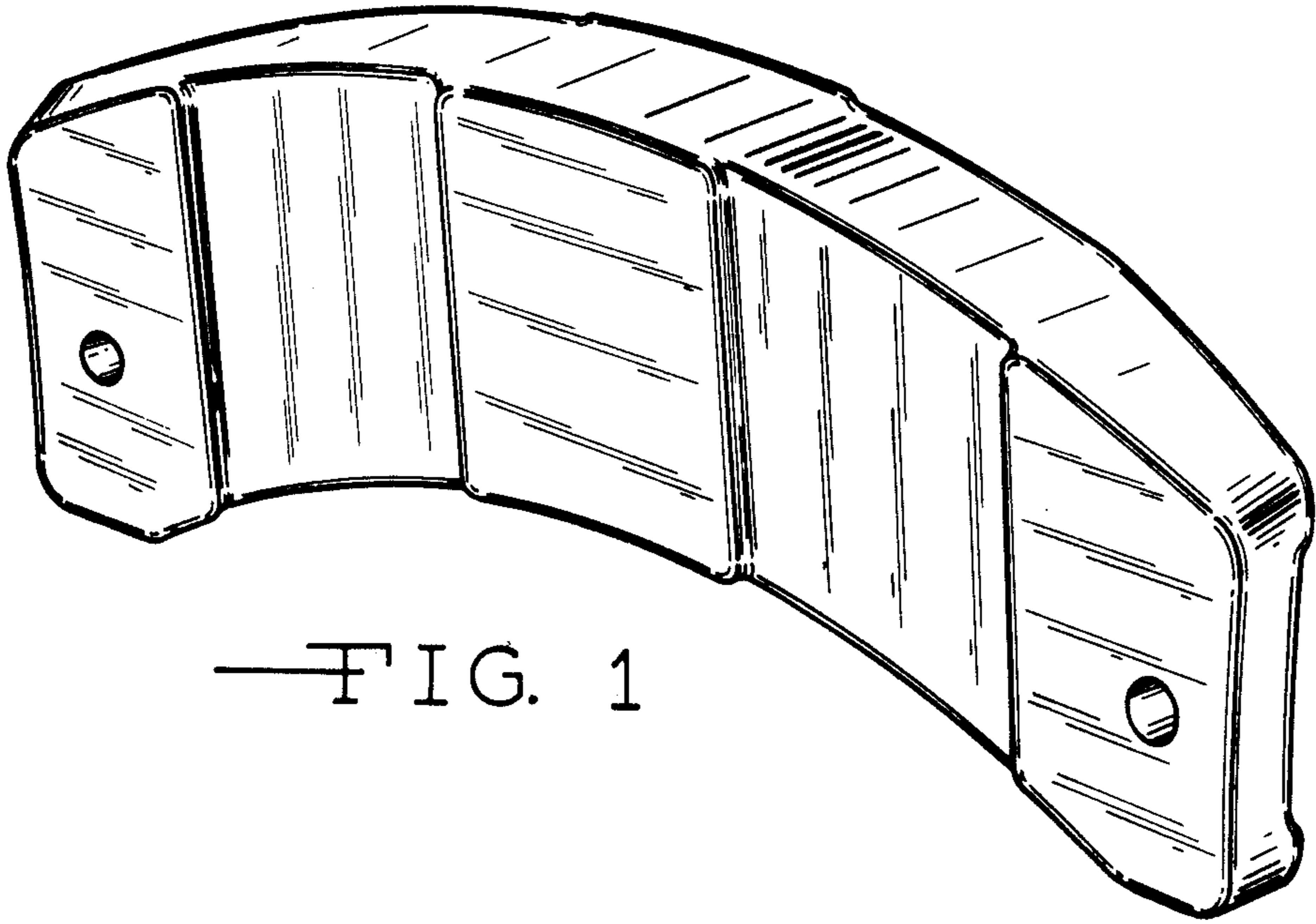
The ornamental design for a disc brake pad yoke, substantially as shown and described.

DESCRIPTION

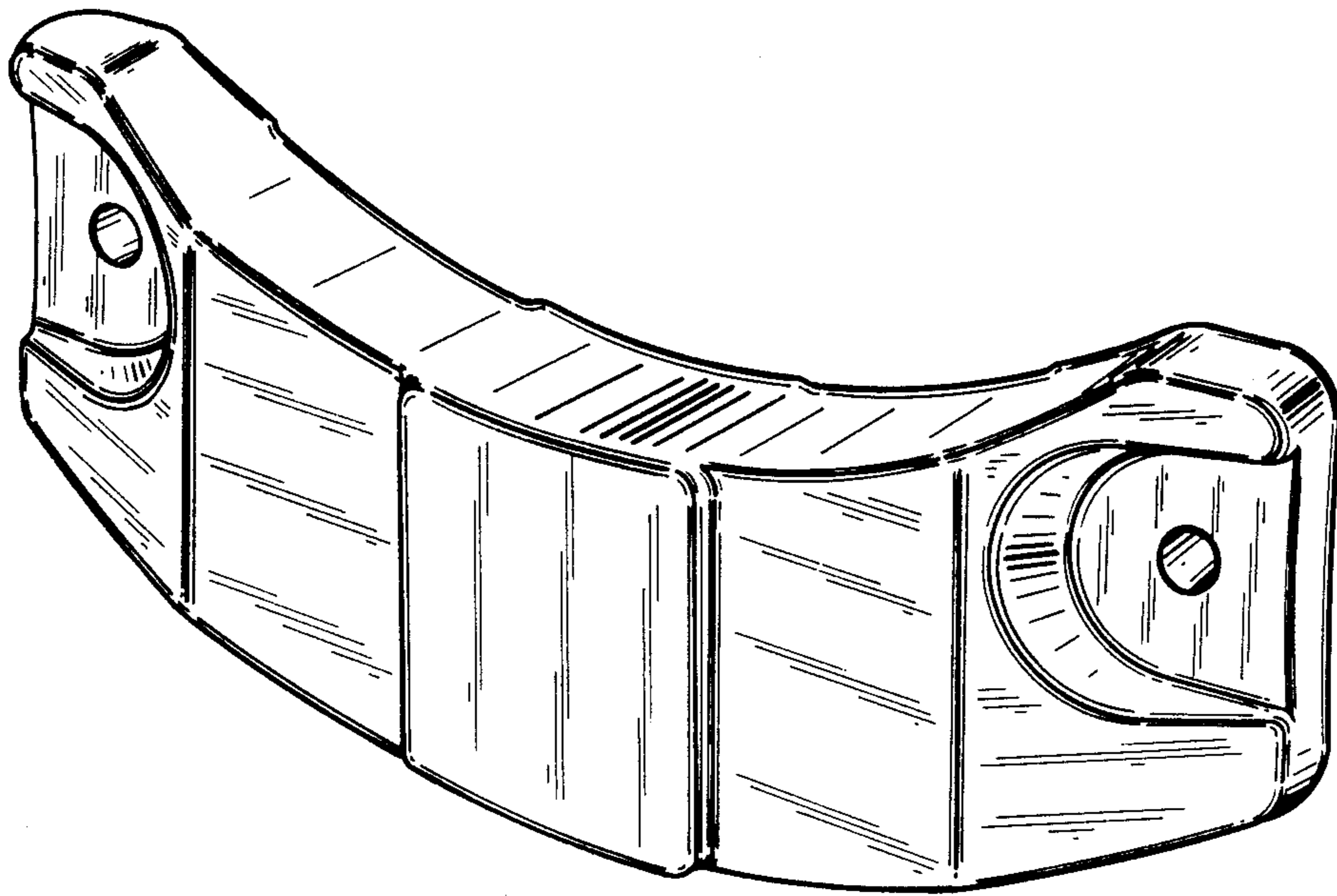
FIG. 1 is a front perspective view of a disc brake pad yoke embodying my design looking from the right.

FIG. 2 is an inverted rear perspective view thereof looking from the right.





—FIG. 1



—FIG. 2