

[54] TRAILER

[76] Inventor: Neil E. Williams, 3101 Somerset Pl., Oklahoma City, Okla. 73116

[**] Term: 14 Years

[21] Appl. No.: 4,176

[22] Filed: Jan. 17, 1979

[51] Int. Cl. D12-10

[52] U.S. Cl. D12/102

[58] Field of Search D12/101, 102, 103, 104, D12/105; 280/78, 460 R; 296/27.31 P

[56] References Cited

U.S. PATENT DOCUMENTS

D. 58,918	9/1921	Labourdette	D12/102
D. 182,606	4/1958	Livingston	D12/102
D. 218,885	10/1970	Pietro Paolo	D12/102

D. 240,213	6/1976	Beckwith	D12/102
2,009,548	7/1935	Goin et al.	280/78

Primary Examiner—T. Tung
Attorney, Agent, or Firm—Dunlap, Coddling & McCarthy

[57] CLAIM

The ornamental design for a trailer, as shown and described.

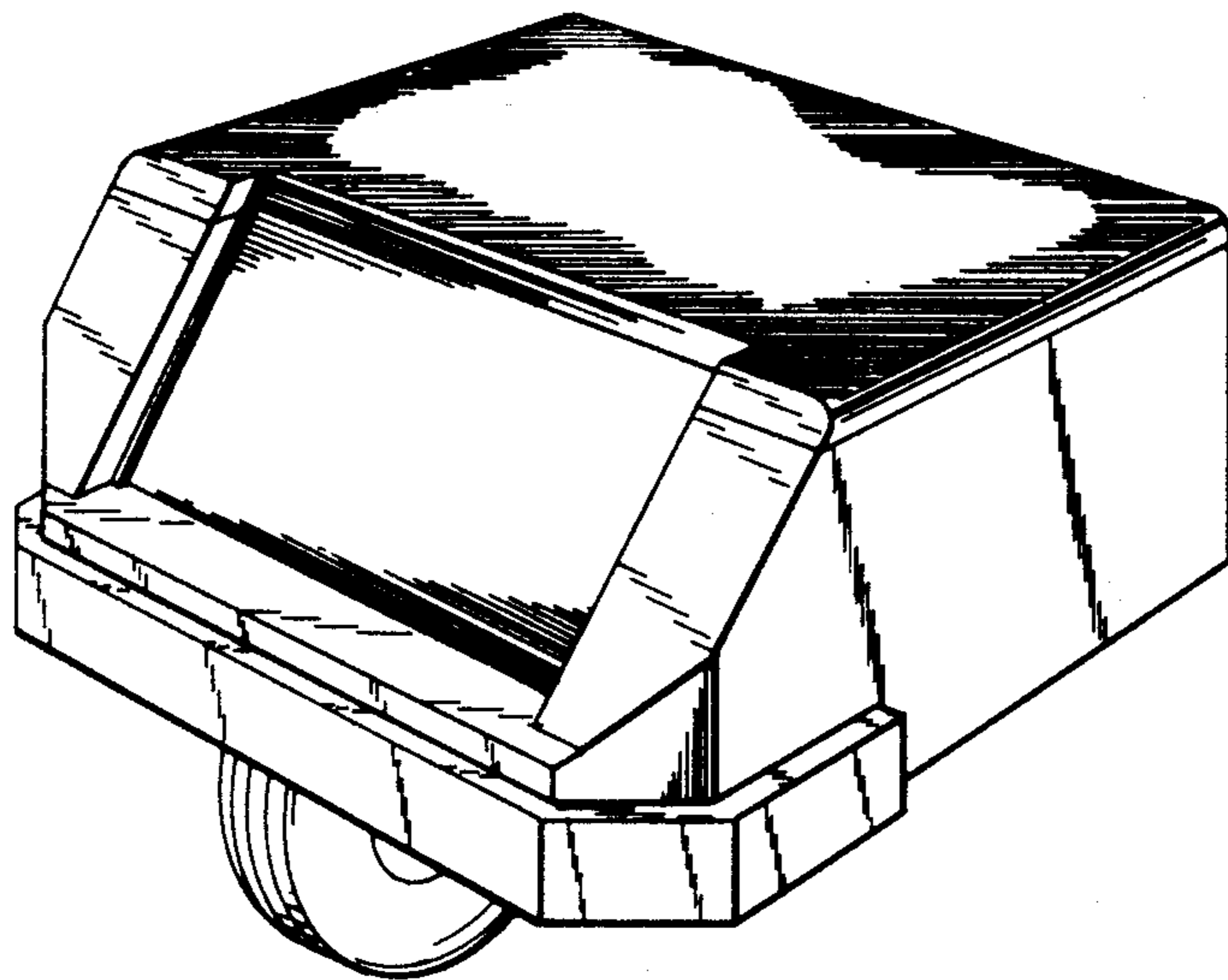
DESCRIPTION

FIG. 1 is a rear, overhead perspective view of the trailer design of the present invention.

FIG. 2 is a forward, underneath perspective view of the design of FIG. 1.

FIG. 3 is a rear, overhead perspective view of another embodiment of the trailer design of the present invention.

FIG. 4 is a forward, underneath perspective view of the design of FIG. 3.



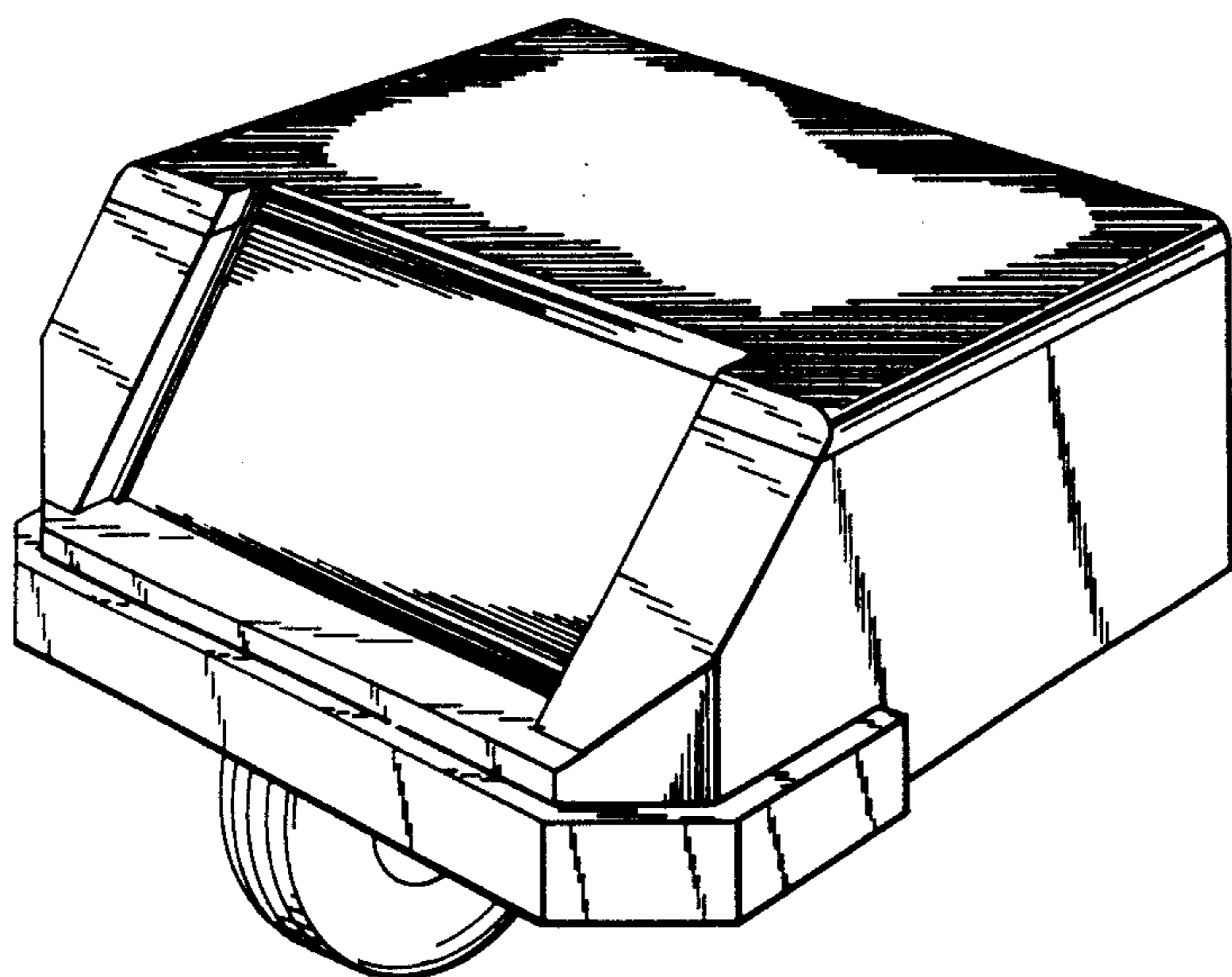


FIG. 1

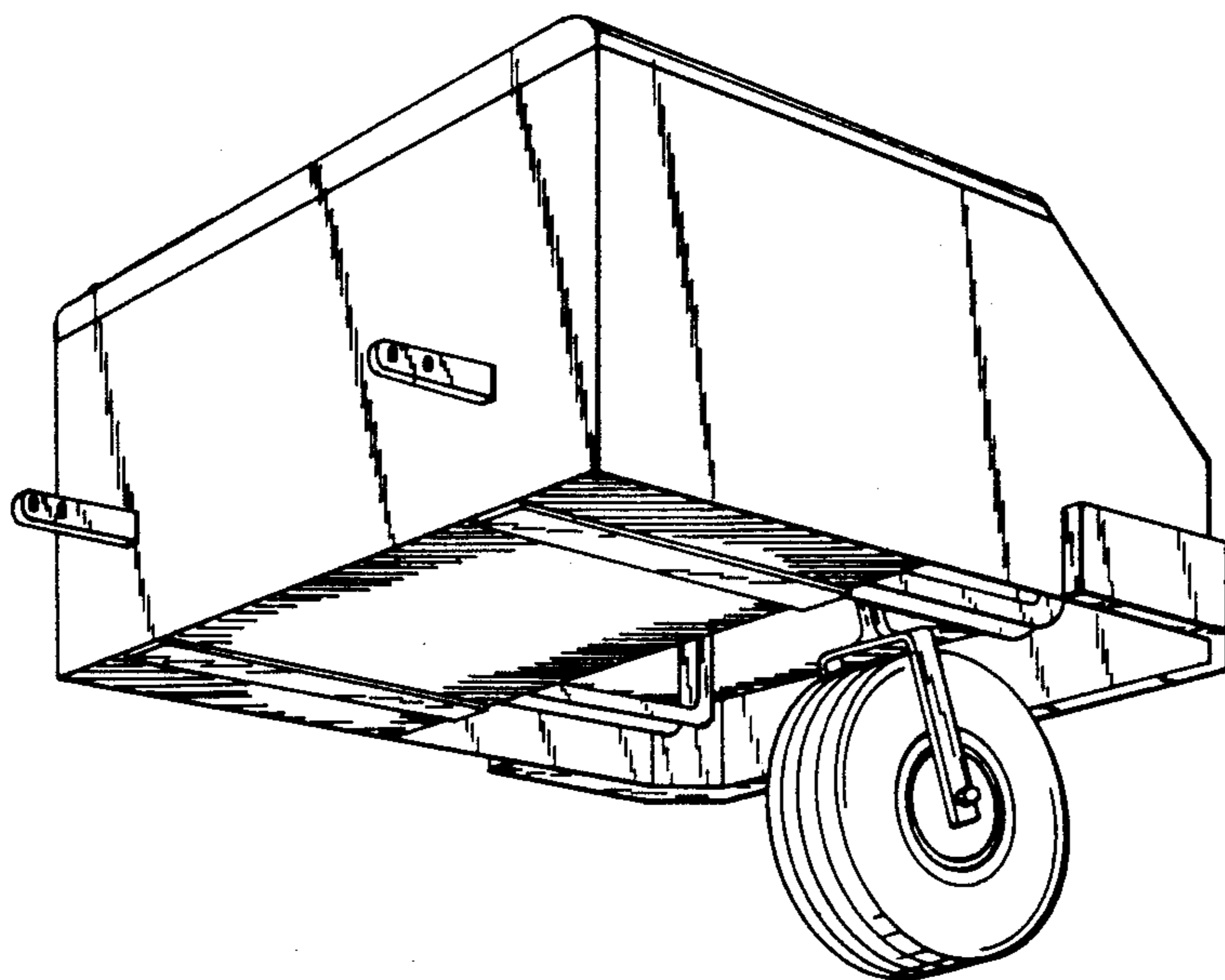


FIG. 2

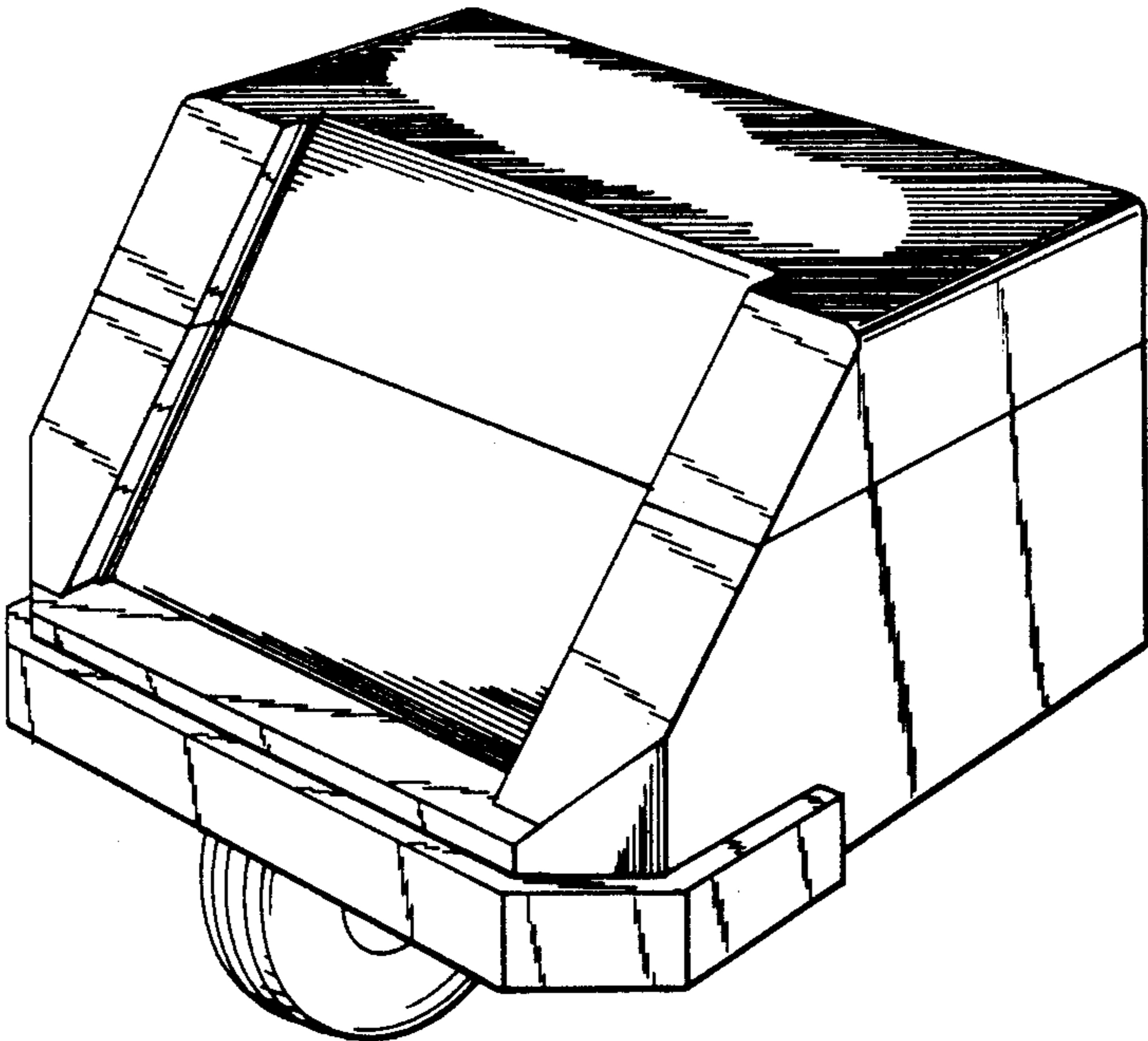


FIG. 3

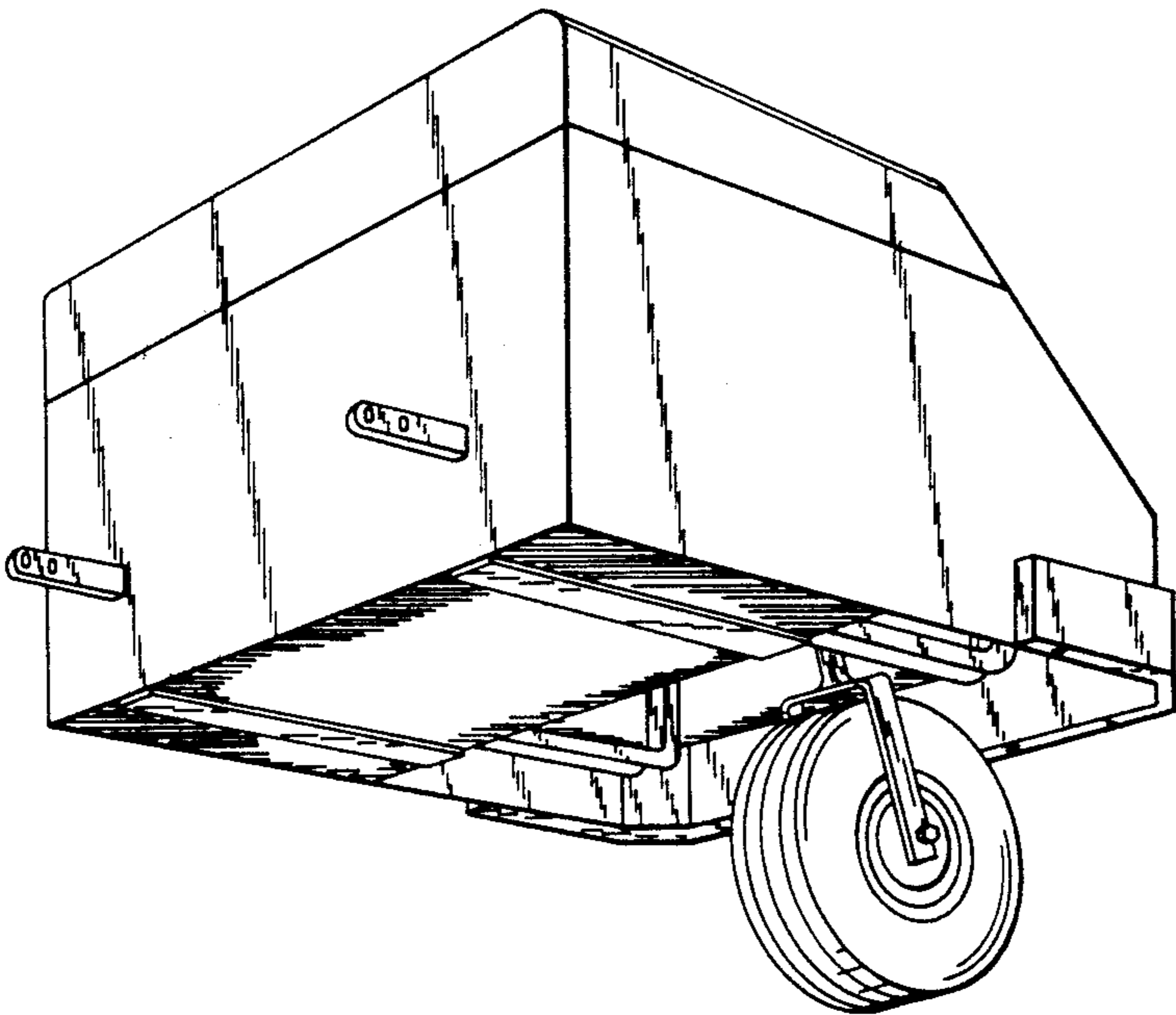


FIG. 4