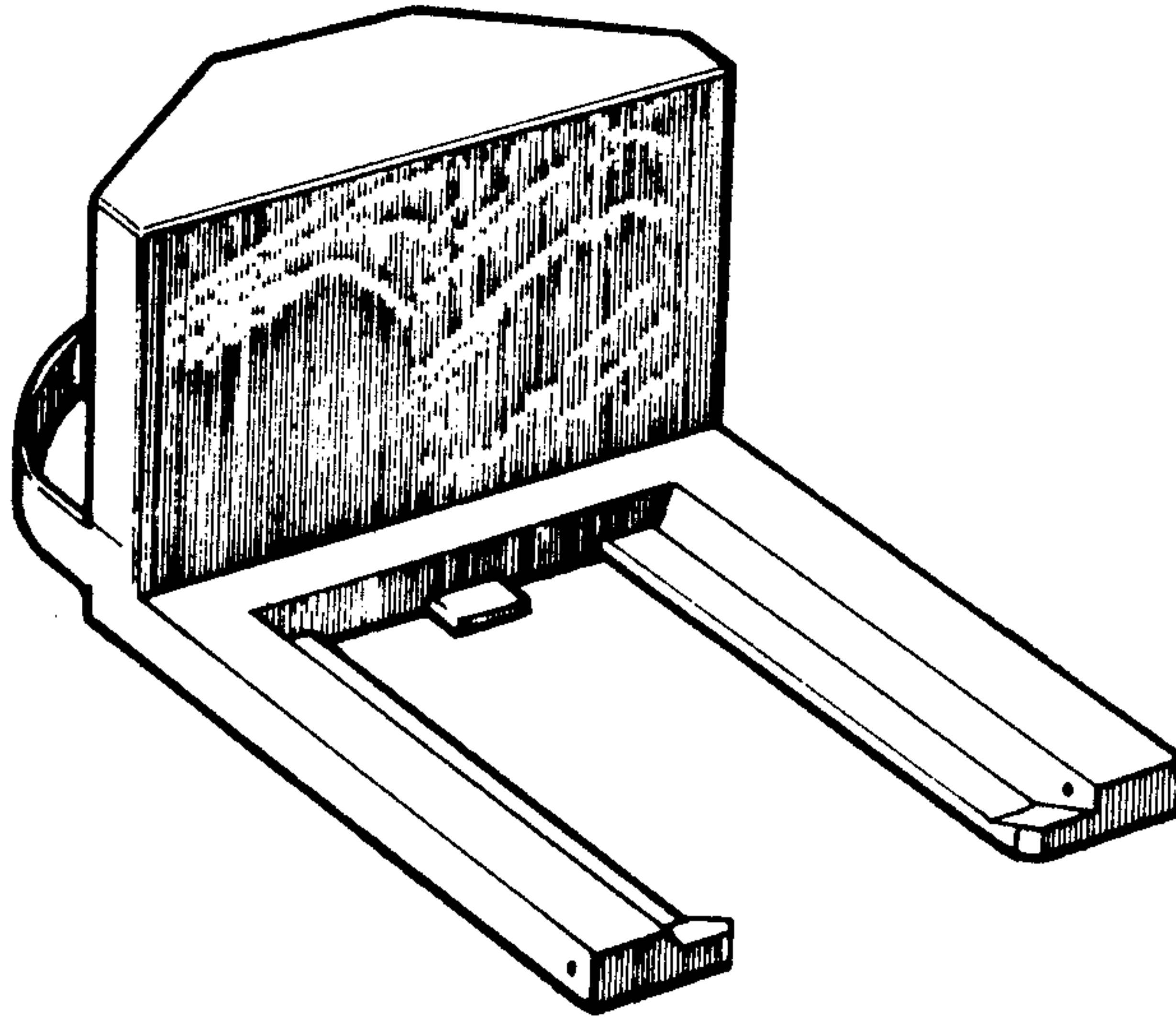


[54] **REMOTE CONTROLLED FORK TRUCK**  
 [75] Inventor: **Olof H. Lindfors, Goteborg, Sweden**  
 [73] Assignee: **Aktiebolaget Volvo, Goteborg, Sweden**  
 [\*\*] Term: **14 Years**  
 [21] Appl. No.: **963,567**  
 [22] Filed: **Nov. 24, 1978**  
 [30] **Foreign Application Priority Data**  
 May 25, 1978 [SE] Sweden ..... 781360  
 [51] Int. Cl. .... **D12-05**  
 [52] U.S. Cl. .... **D12/57**  
 [58] Field of Search ..... **D12/57, 56; 280/43.12; 254/2 R, 2 B, 2 C; 187/9 R**

[56] **References Cited**  
**PUBLICATIONS**  
 Automatic Dispatching Towveyors & Overhead Tow Conveyors Catalog, p. 19, Remote Controlled Trucks, lower right side of page.  
*Primary Examiner*—James M. Gandy  
*Attorney, Agent, or Firm*—Young & Thompson

[57] **CLAIM**  
 The ornamental design for a remote controlled fork truck, as shown.

**DESCRIPTION**  
 FIG. 1 is a top rear perspective view of a remote controlled fork truck showing my new design; and FIG. 2 is a top, front perspective view thereof.



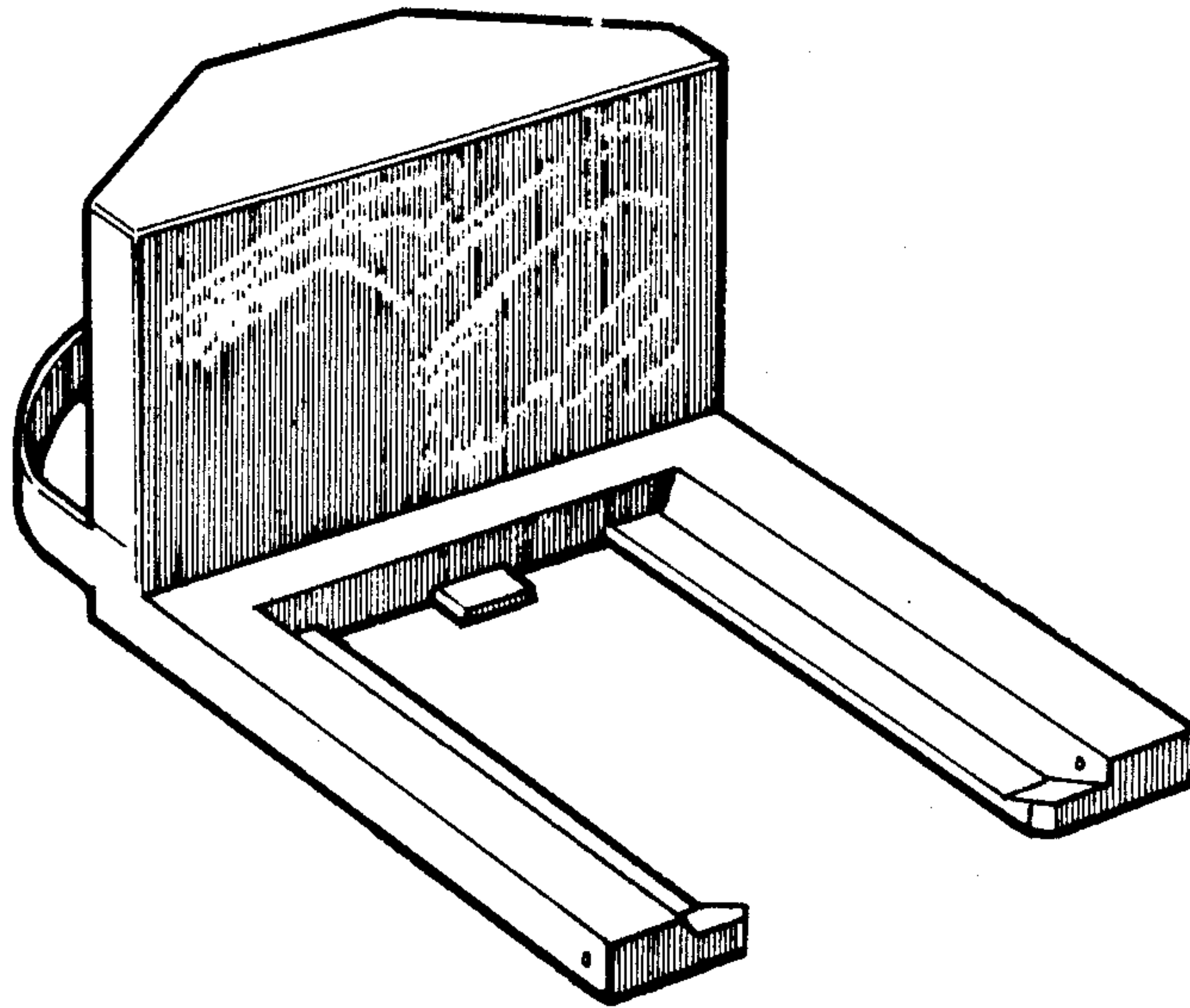


FIG. 1

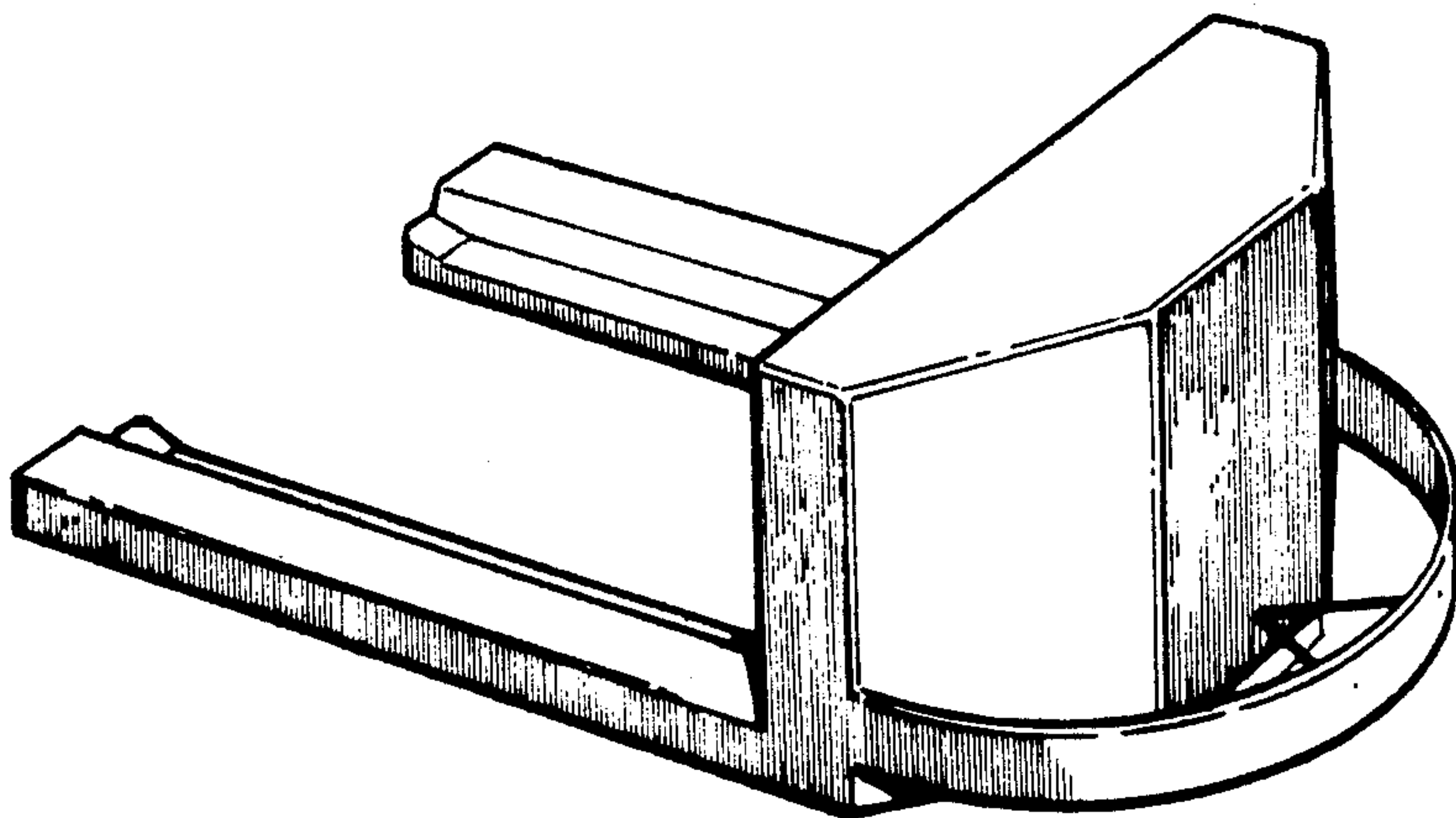


FIG. 2