

[54] SCULPTURE

[76] Inventor: **Zelda Zieselman**, 32 Dzamba Grove, Stamford, Conn. 06903

[**] Term: **14 Years**

[21] Appl. No.: **19,768**

[22] Filed: **Mar. 12, 1979**

[51] Int. Cl. **D11-02**

[52] U.S. Cl. **D11/131**

[58] Field of Search **D11/131-133, D11/157; 428/13-15; D19/96**

[56] **References Cited**

U.S. PATENT DOCUMENTS

D. 228,296 9/1973 Mengler D11/157
2,508,959 5/1950 Marino D11/157 X

Primary Examiner—Louis S. Zarfes
Attorney, Agent, or Firm—St. Onge, Steward, Johnston, Reens & Nöe

[57] **CLAIM**

The ornamental design for a sculpture, as shown and described.

DESCRIPTION

FIG. 1 is a perspective view of a sculpture showing my new design;
FIG. 2 is a front elevational view of a sculpture;
FIG. 3 is a top view of a sculpture;
FIG. 4 is a rear elevational view of a sculpture;
FIG. 5 is a bottom view of a sculpture;
FIG. 6 is a side elevational view looking toward the right side of a sculpture; and
FIG. 7 is a side elevational view looking toward the left side of a sculpture.

© ZELDA 1979. The drawings of this patent document contain material to which a claim of copyright is made. The copyright owner, applicant herein, has no objection to the duplication of the patent drawings in connection with the making of copies of this patent document, but reserves all other copyright rights whatsoever.

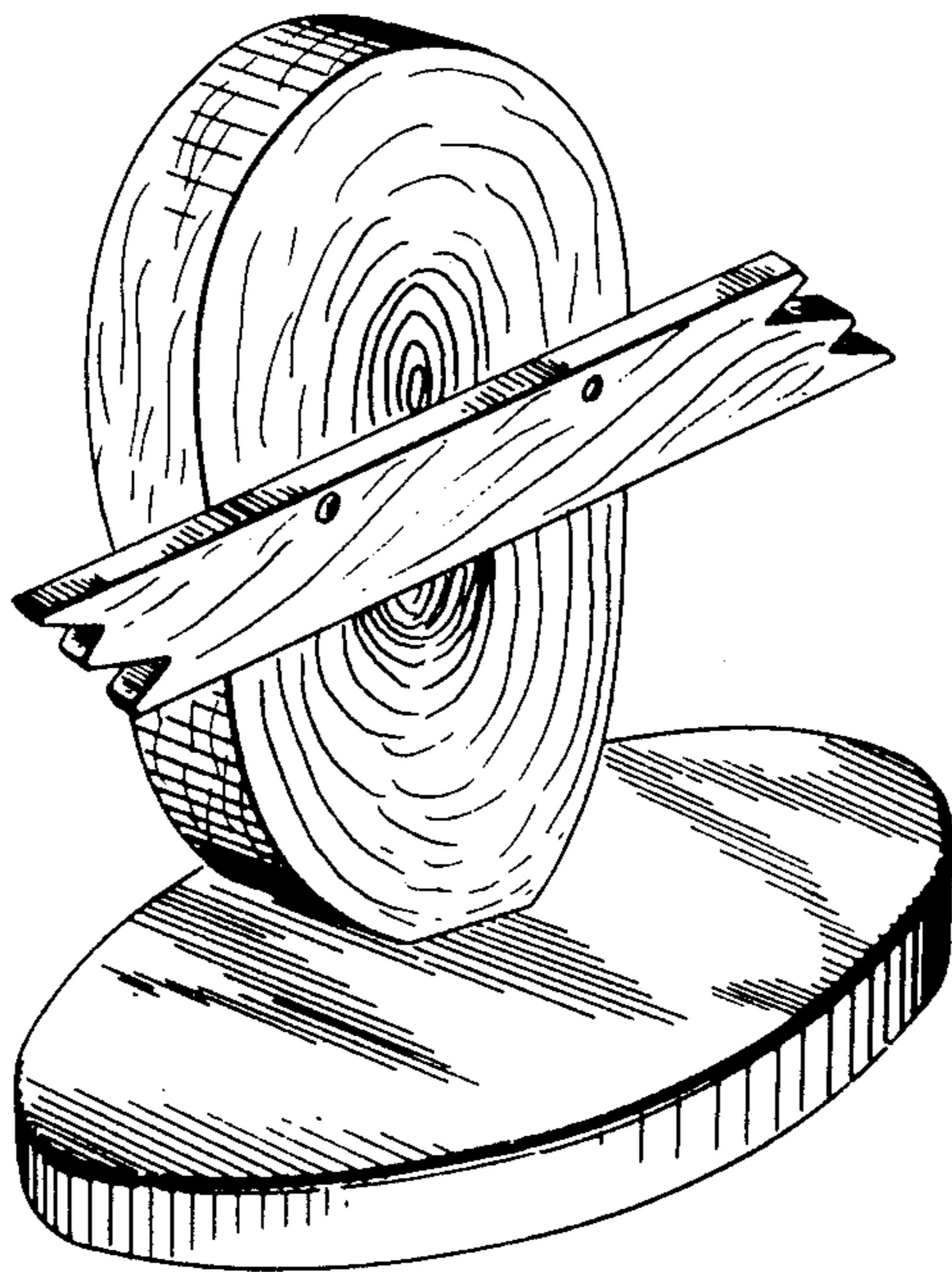


Fig. 1.

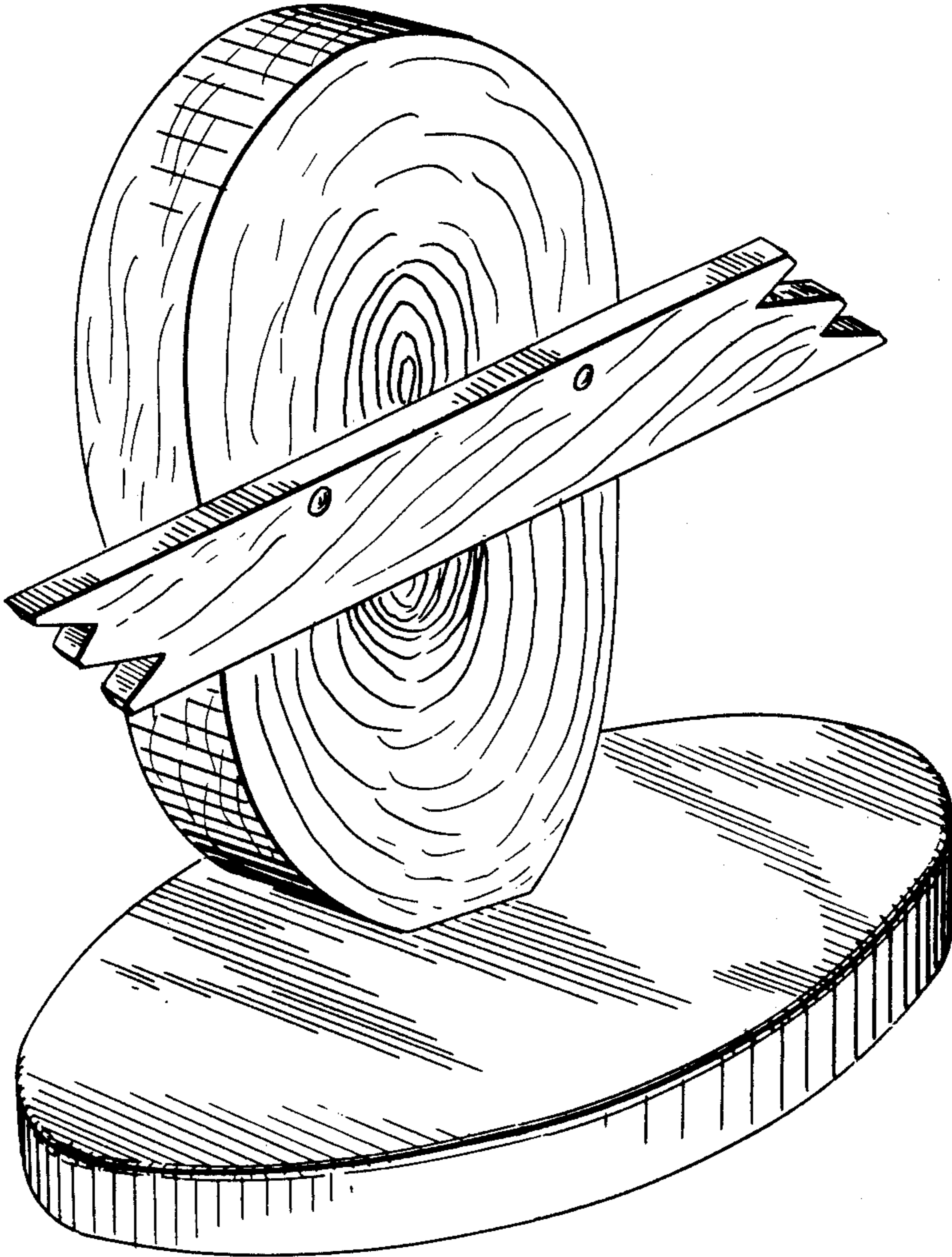


Fig. 2.

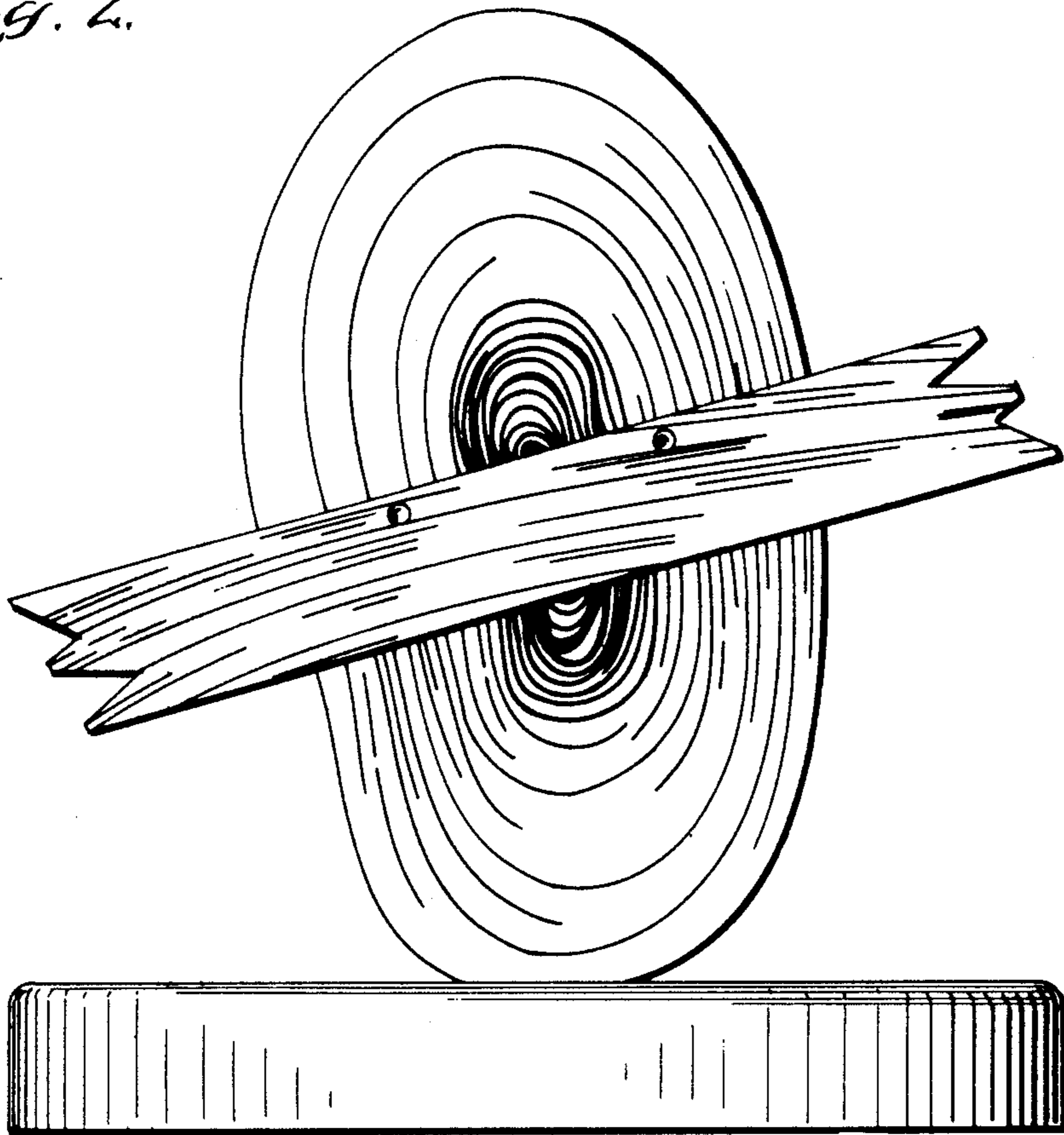


Fig. 3.

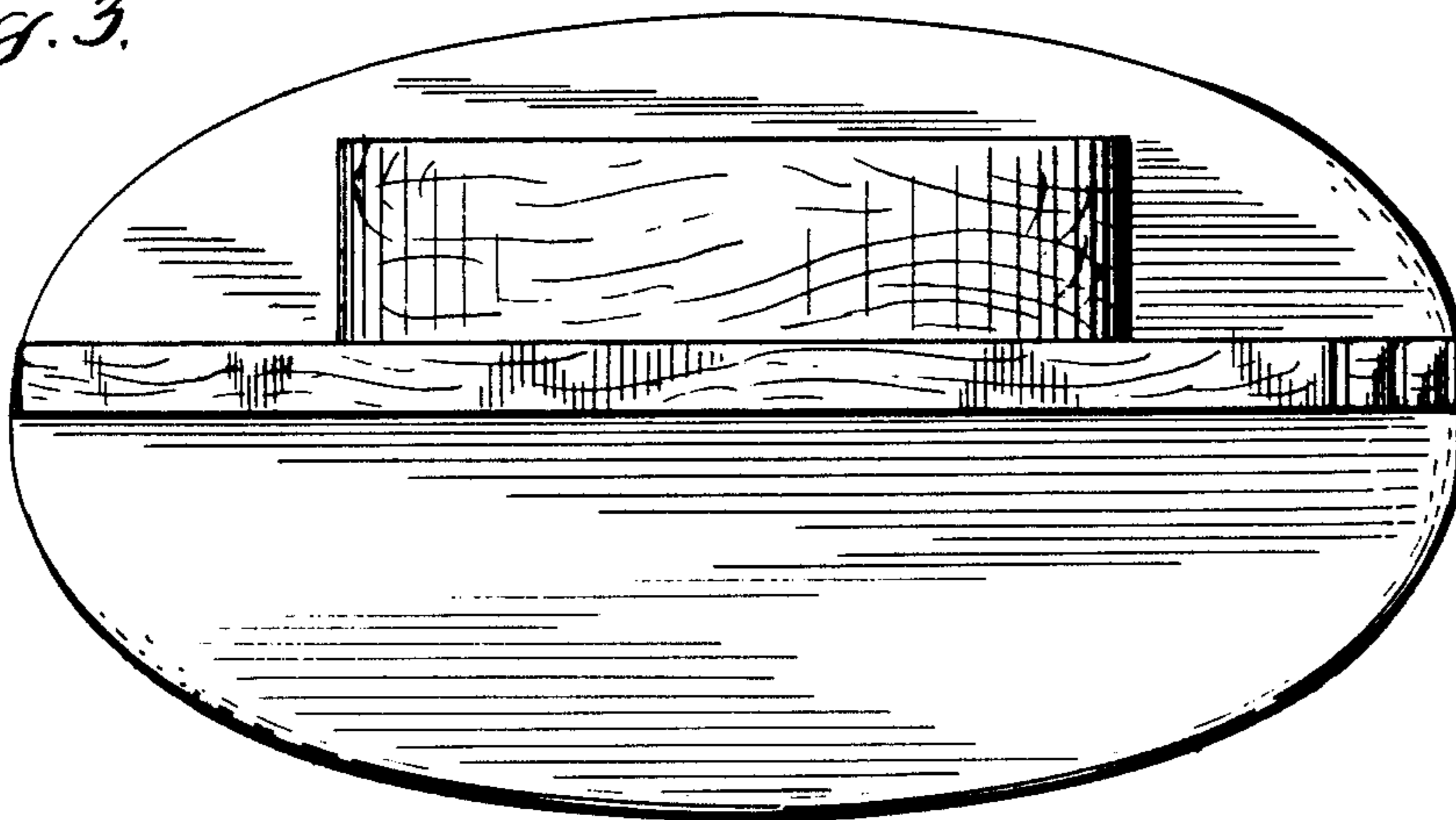


Fig. 4.

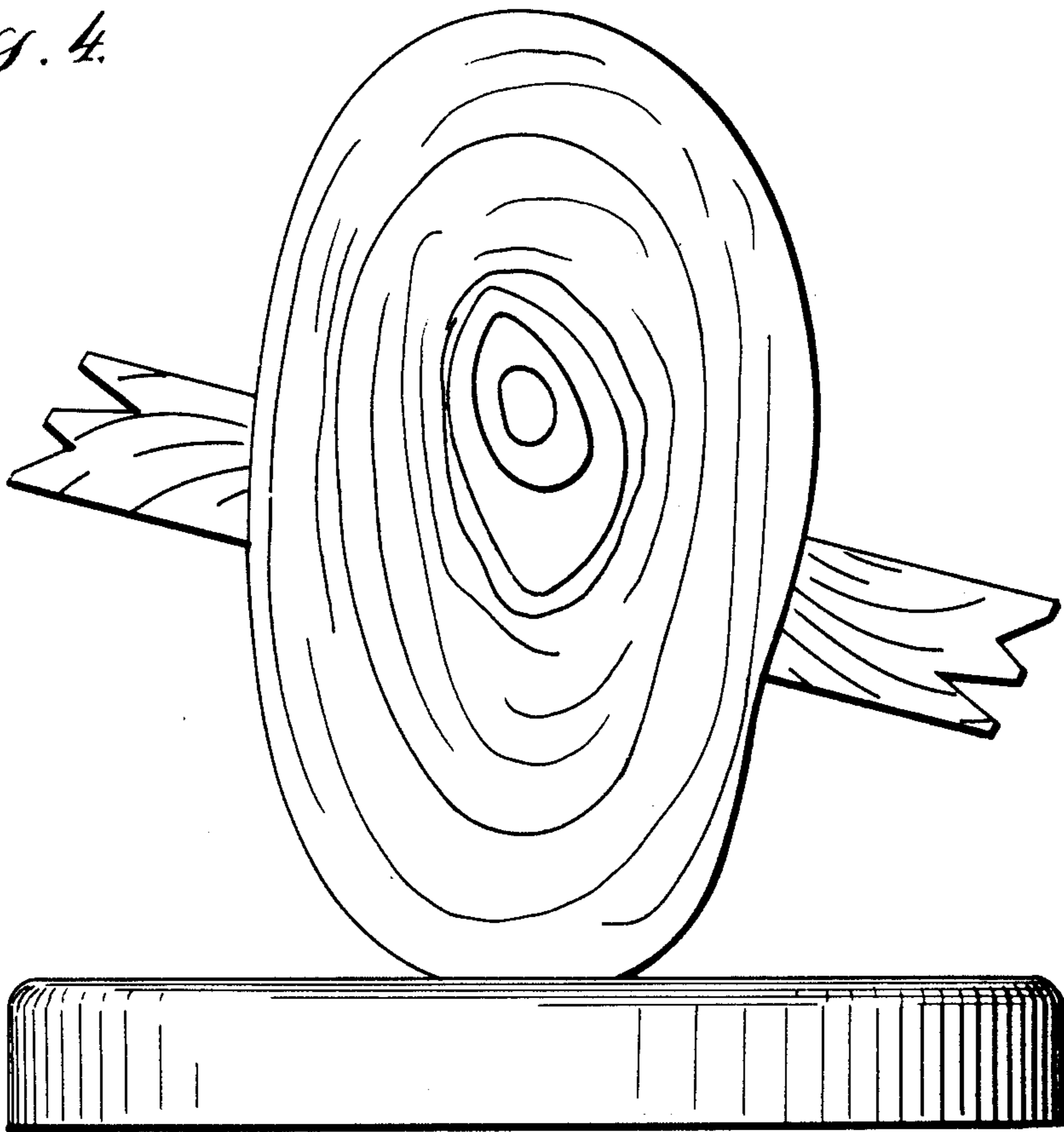


Fig. 5.

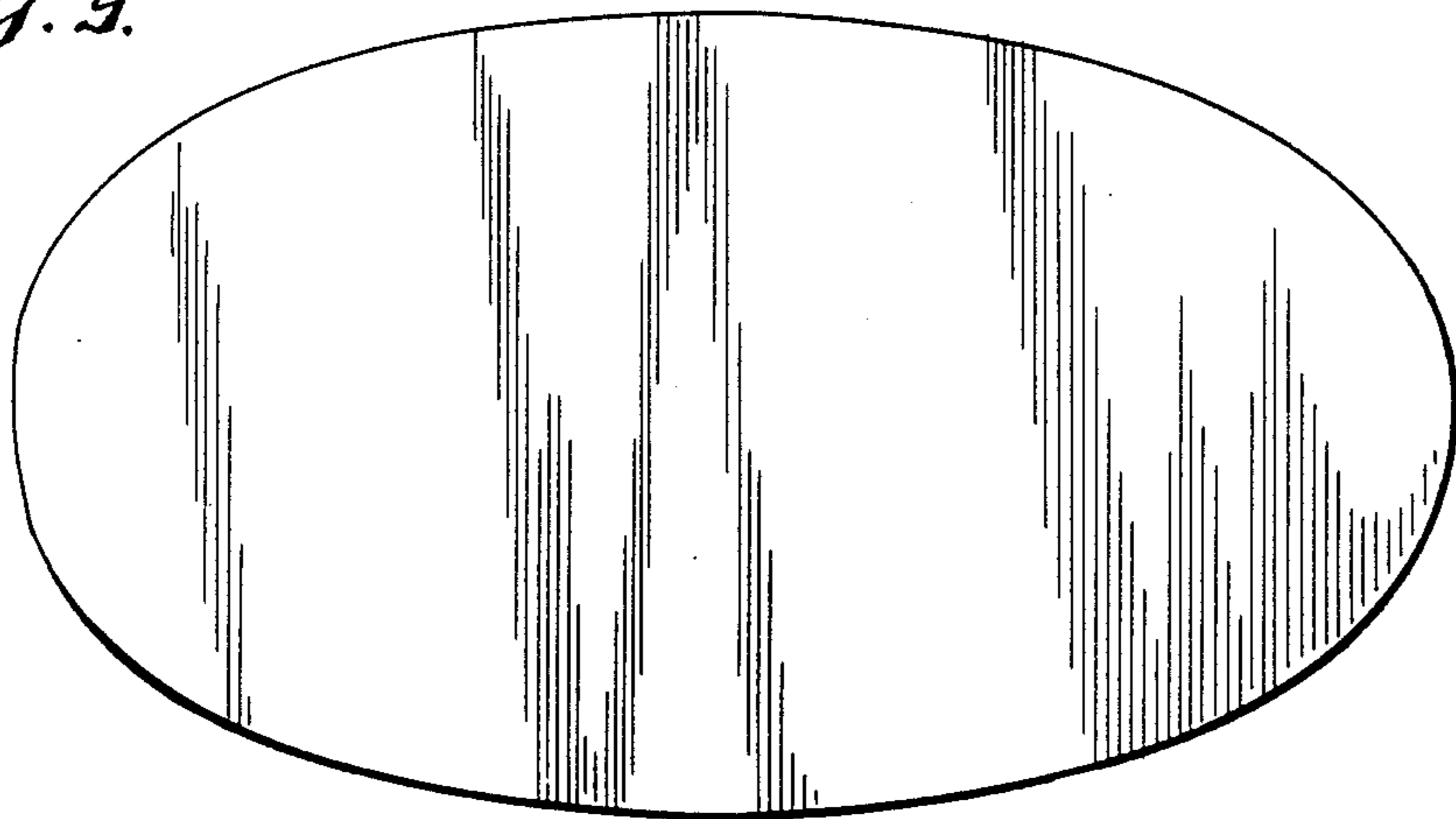


Fig. 6.

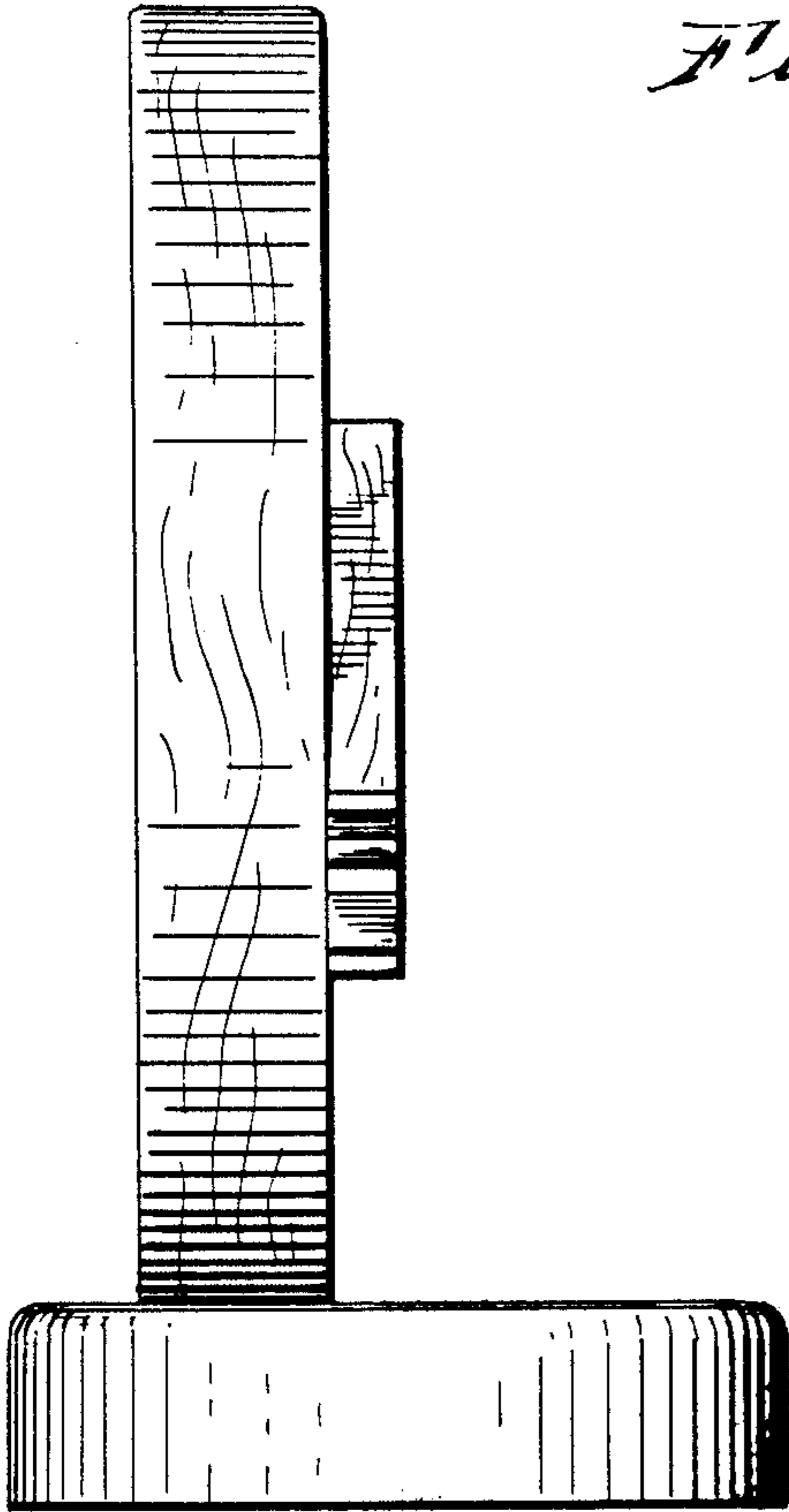


Fig. 7.

