

[54] RULER

[76] Inventor: Max M. Sandfield, 3928 Wentwood Dr., Dallas, Tex. 75225

[**] Term: 14 Years

[21] Appl. No.: 82,145

[22] Filed: Oct. 5, 1979

[51] Int. Cl. D10-04

[52] U.S. Cl. D10/71

[58] Field of Search D10/61, 62, 64, 65, D10/70, 71, 72; 33/483, 494, 27 C

[56] References Cited

U.S. PATENT DOCUMENTS

D. 29,328	9/1898	Carver	D10/71 X
D. 29,832	12/1898	Walker	D10/71 X
83,115	10/1868	Wilcox	D10/71 X
D. 187,493	3/1960	Zuckerman	D10/71
D. 207,794	5/1967	Cherrington	D10/64 X
D. 252,615	8/1979	Lopez	D10/65 X

1,009,214	11/1911	Backstrom	D10/65 X
1,870,655	8/1932	Schur	33/483 X
3,343,265	9/1967	Puerta	33/27 C

OTHER PUBLICATIONS

Post Cat., 19th Edition, 7/1/50, p. 102, "Circ-L-Scale," Template No. 2976 at center-right.

Primary Examiner—Nelson C. Holtje

[57] CLAIM

The ornamental design for a ruler, substantially as shown and described.

DESCRIPTION

FIG. 1 is a top left perspective view of a ruler showing my new design;

FIG. 2 is a left end elevational view thereof;

FIG. 3 is a front elevational view thereof, the rear being a mirror image thereto;

FIG. 4 is a right end elevational view thereof;

FIG. 5 is a top plan view thereof;

FIG. 6 is a bottom plan view thereof.

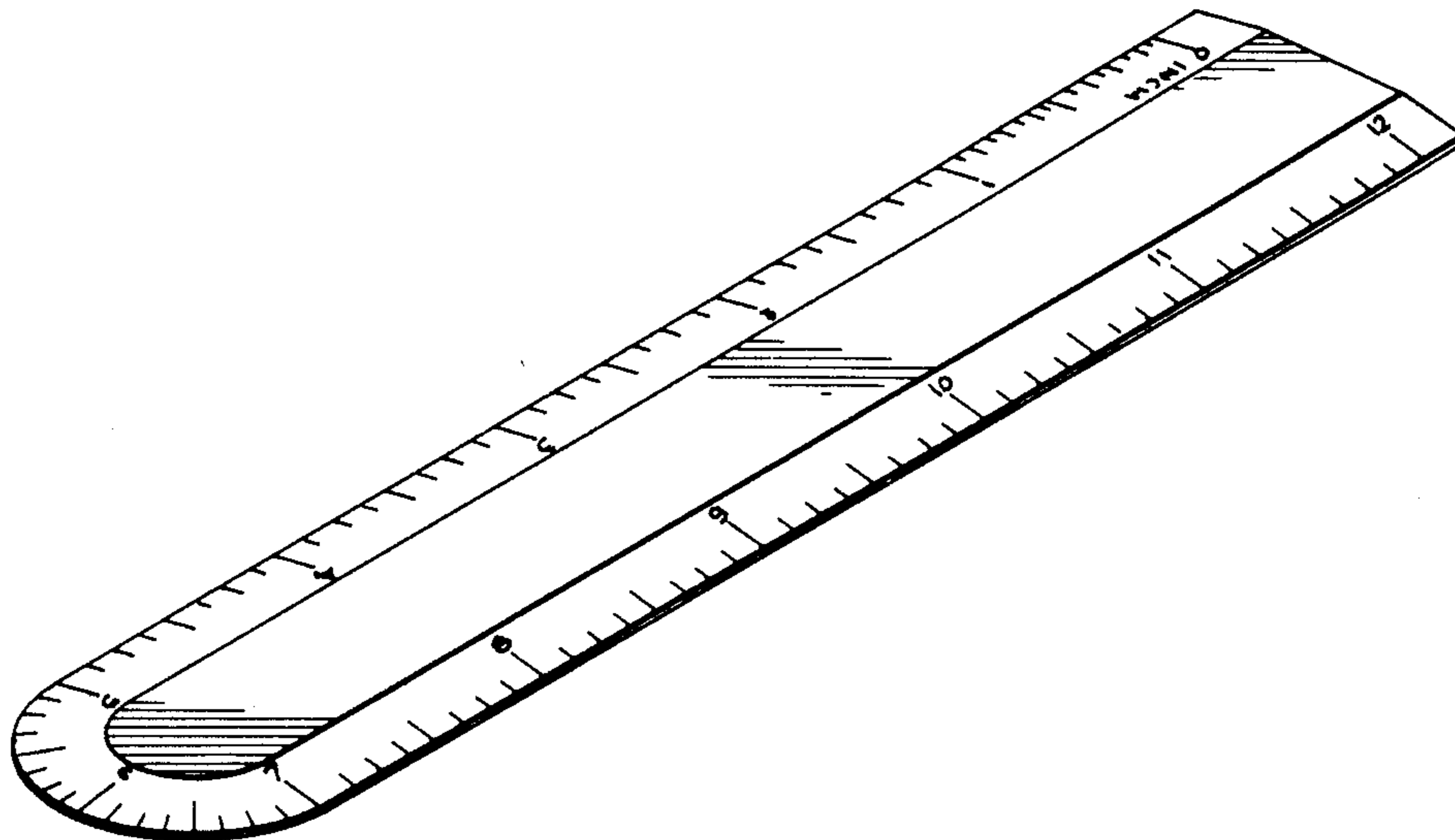


FIG. 1

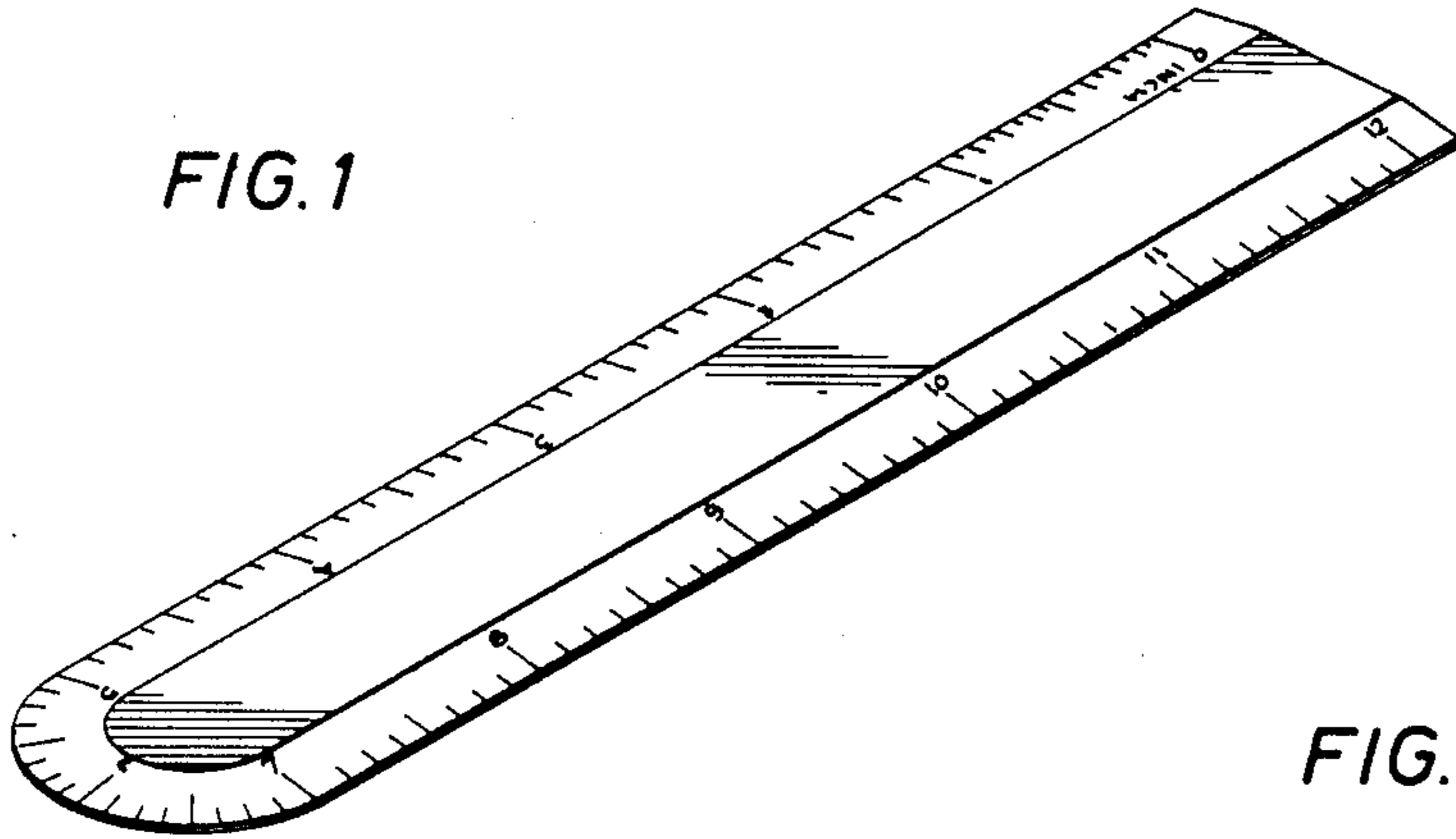


FIG. 2

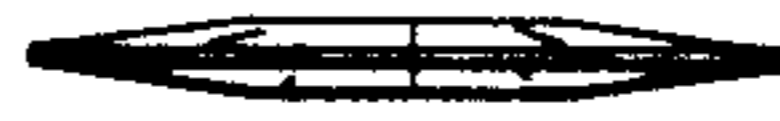


FIG. 3

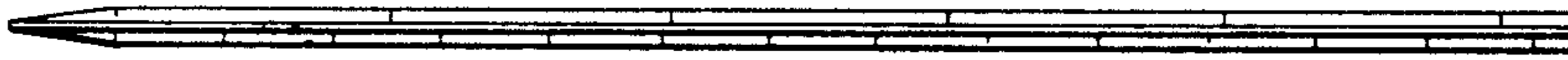


FIG. 4



FIG. 5

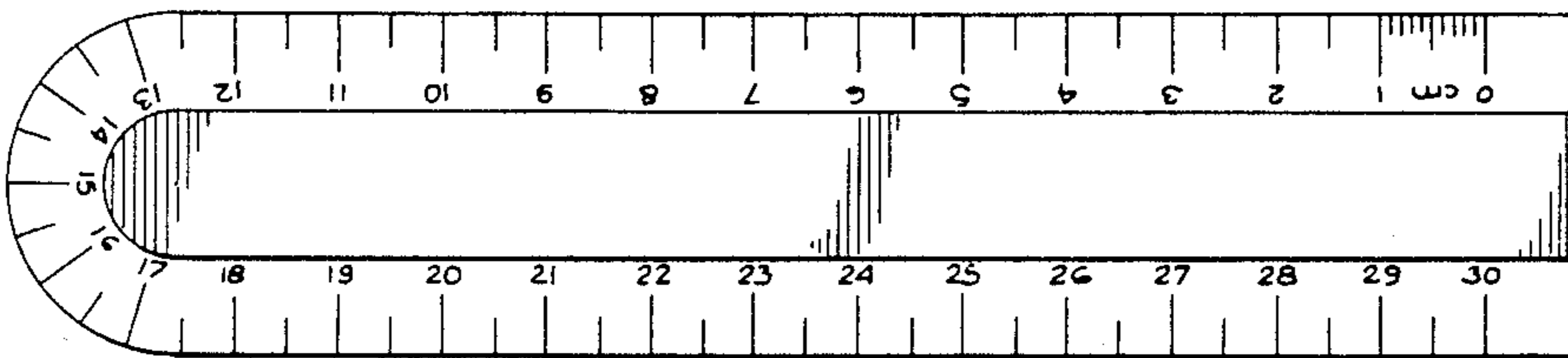
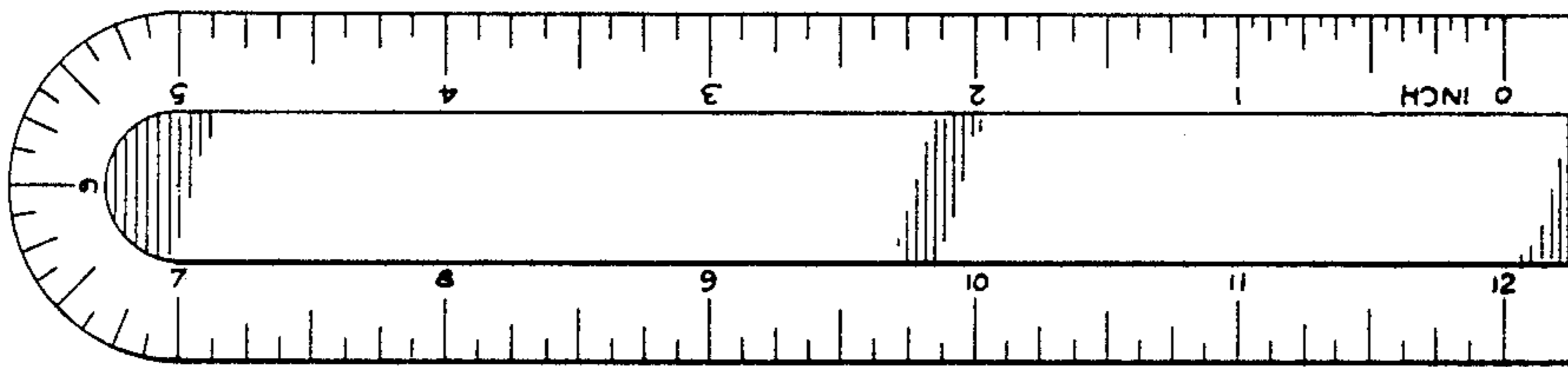


FIG. 6