

[54] MELT POINT TESTER

[76] Inventor: John S. Burgett, P.O. Box 143, Farmington, Conn. 06032

[**] Term: 14 Years

[21] Appl. No.: 114,657

[22] Filed: Jan. 23, 1980

[51] Int. Cl. D10-04

[52] U.S. Cl. D10/46; D10/81

[58] Field of Search D10/46, 81, 83, 85, D10/102; 73/17 R

[56] References Cited

U.S. PATENT DOCUMENTS

- D. 149,974 6/1948 Rupley D10/85
- D. 219,114 11/1970 Schlegal D10/83
- D. 250,046 10/1978 Ohio D10/85 X

- 2,411,931 12/1946 McVey D10/83 X
- 2,633,736 4/1953 Dickey 73/17 R
- 2,967,424 1/1961 Hoover 73/17 R

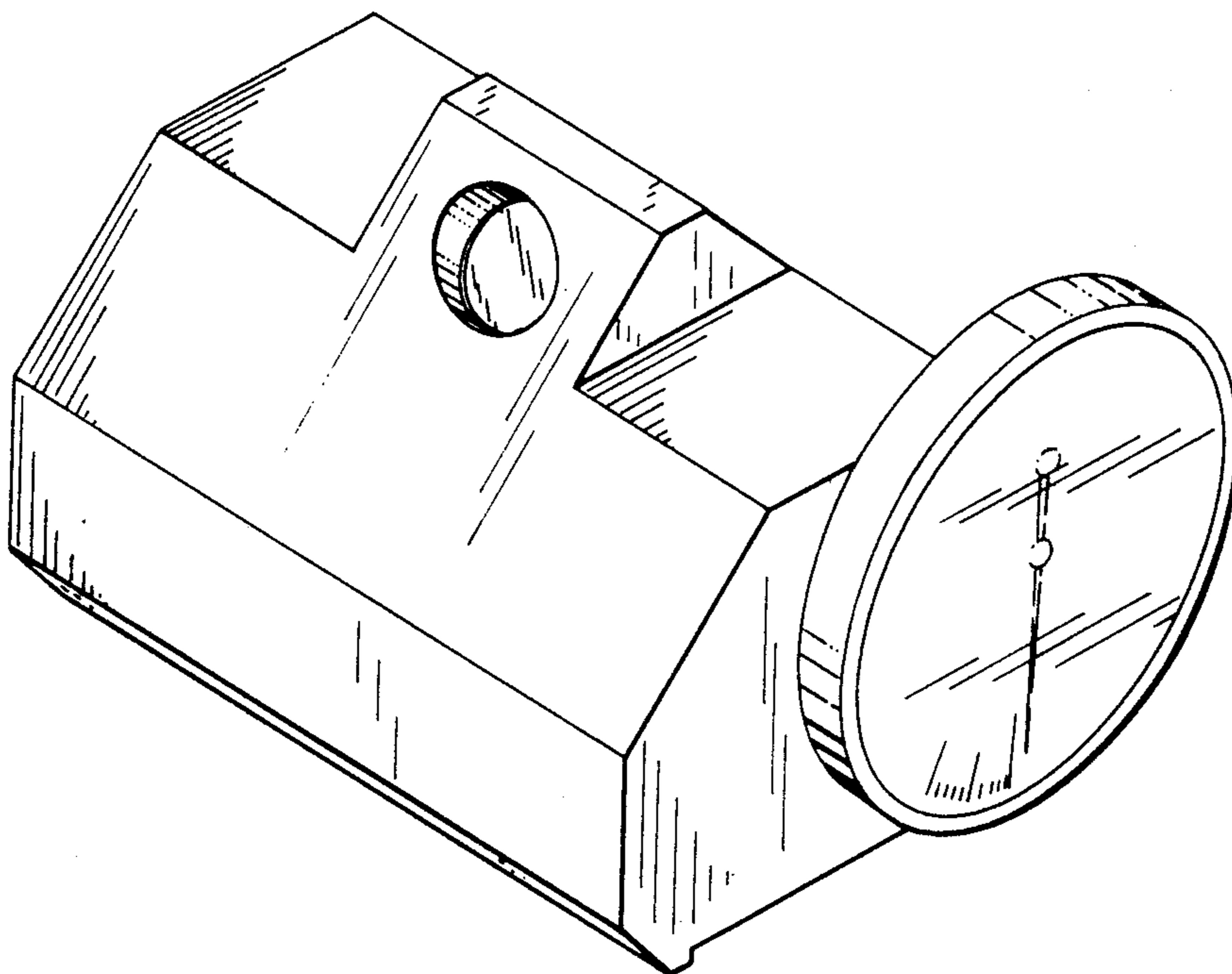
Primary Examiner—Nelson C. Holtje
Attorney, Agent, or Firm—McCormick, Paulding & Huber

[57] CLAIM

The ornamental design for a melt point tester, as shown and described.

DESCRIPTION

FIG. 1 is a right front perspective view of a melt point tester showing my new design;
 FIG. 2 is a right side elevational view thereof;
 FIG. 3 is a front elevational view thereof;
 FIG. 4 is a left side elevational view thereof;
 FIG. 5 is a rear elevational view thereof;
 FIG. 6 is a top plan view thereof;
 FIG. 7 is a bottom plan view thereof.



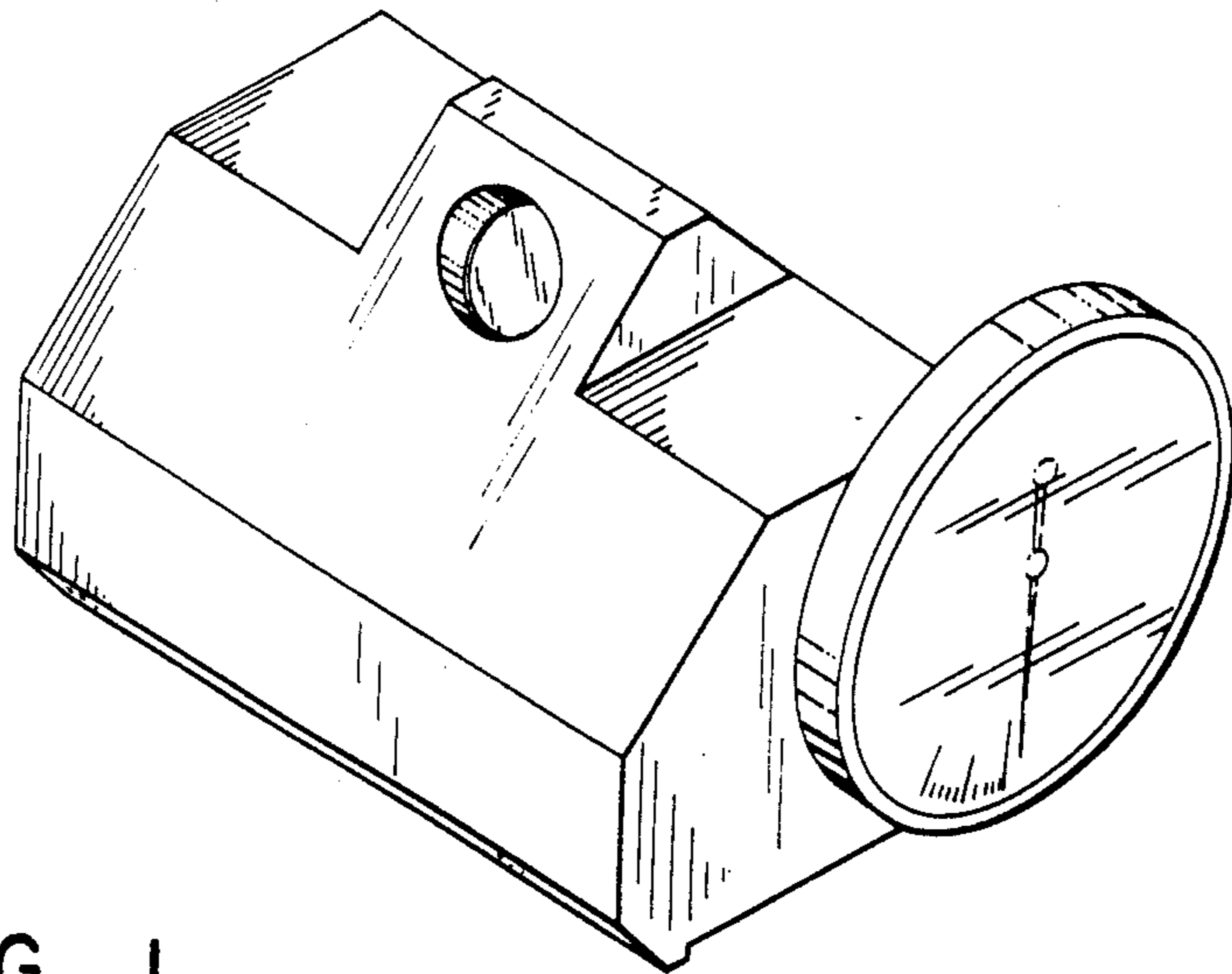


FIG. 1

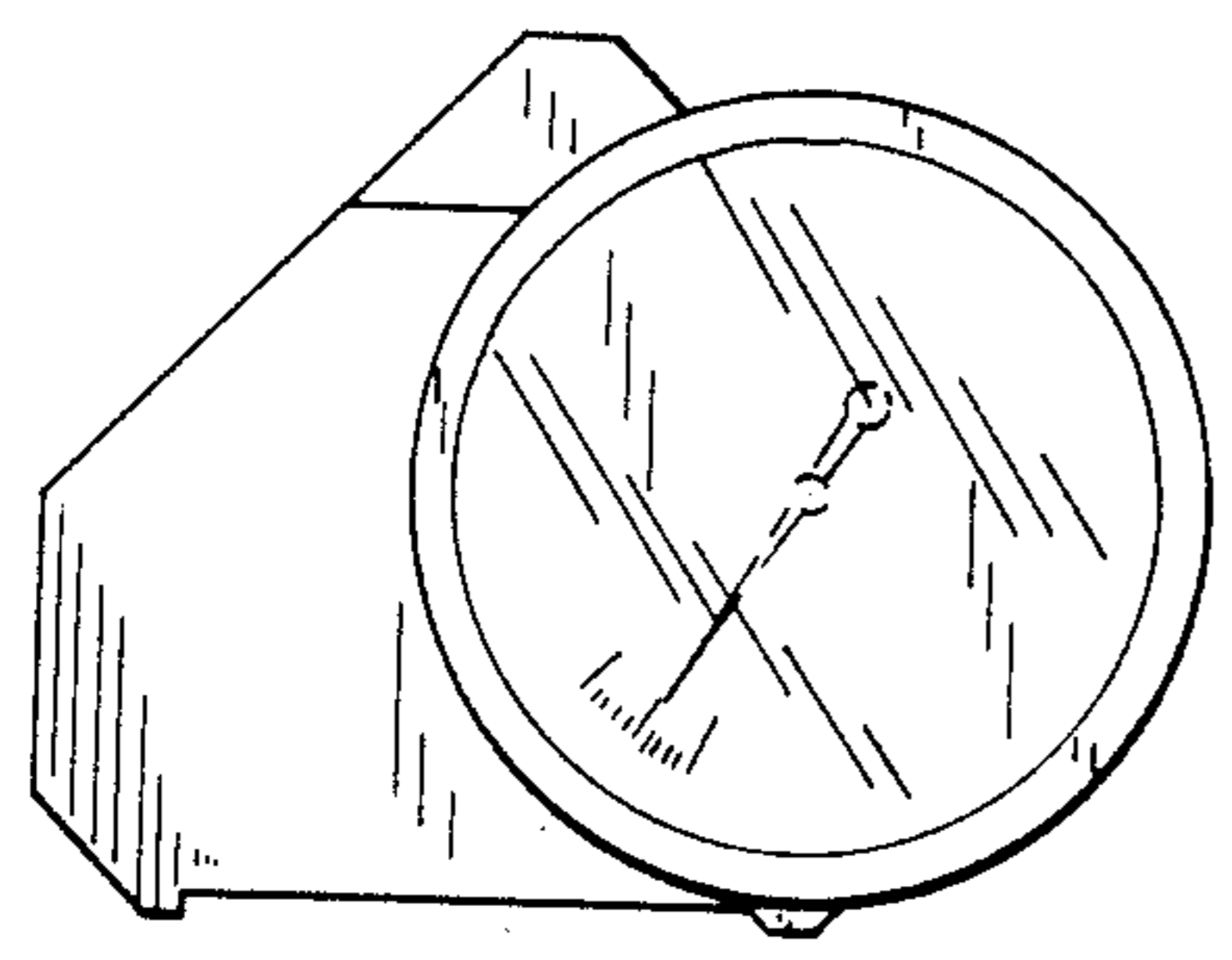


FIG. 2

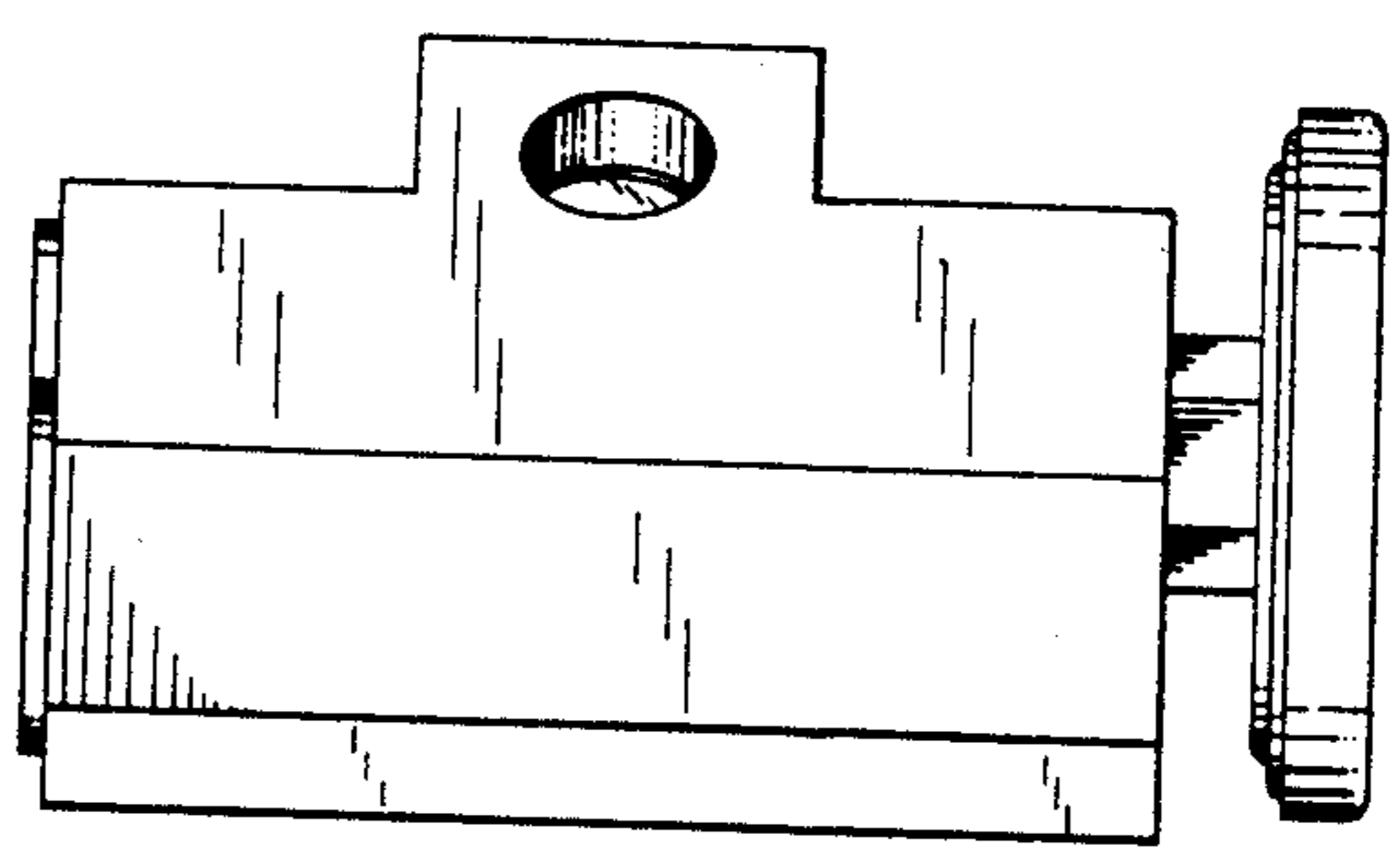


FIG. 3

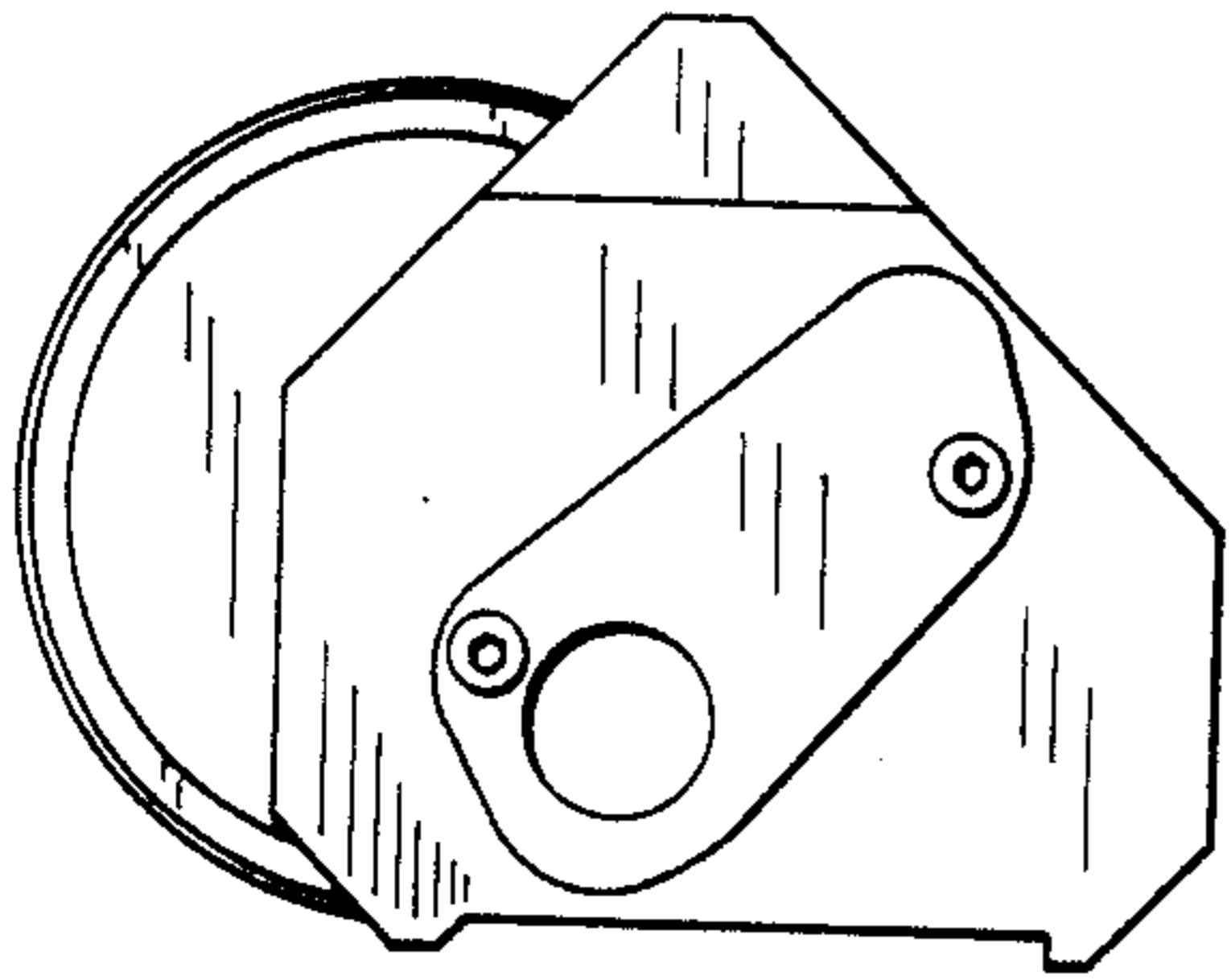


FIG. 4

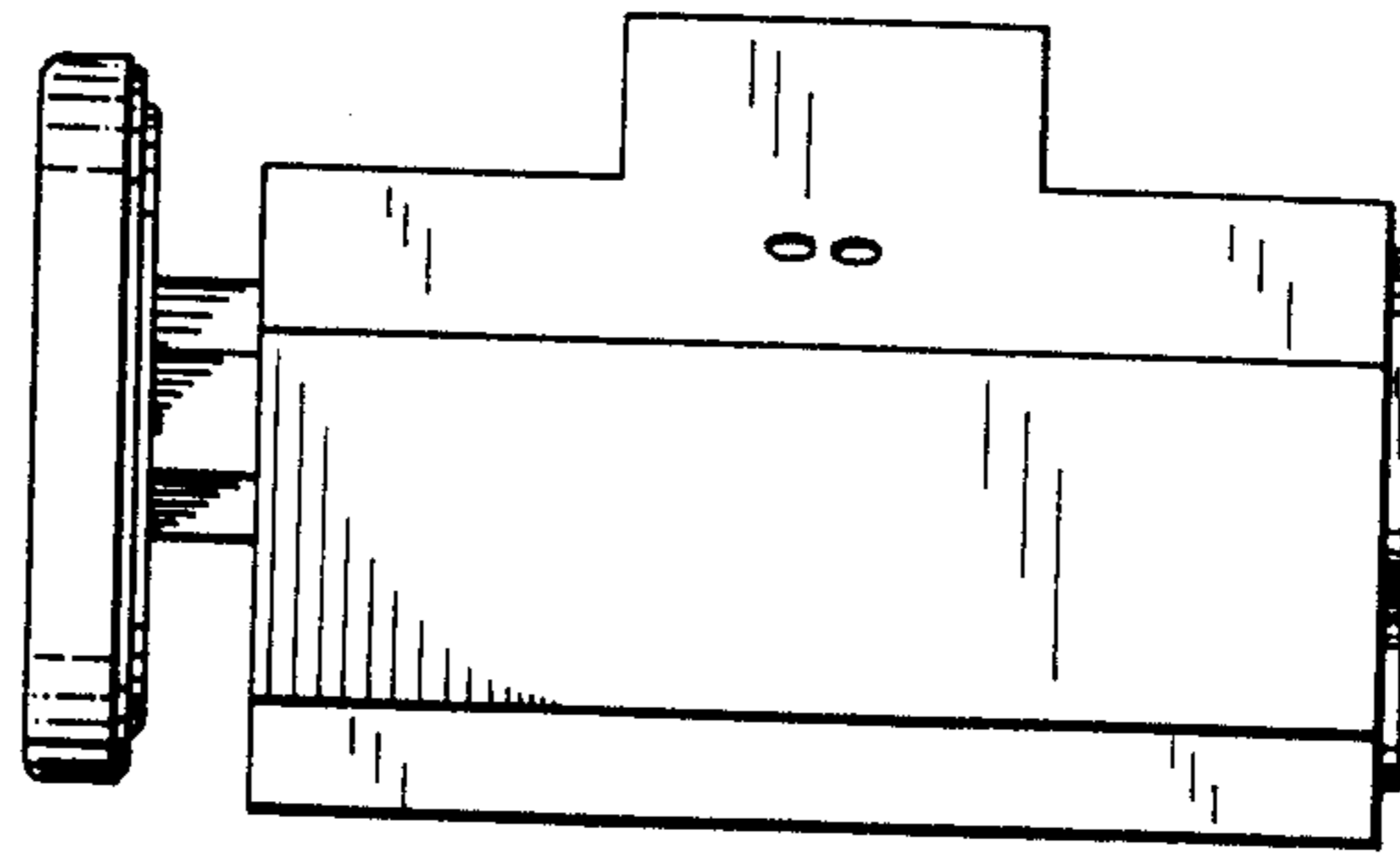


FIG. 5

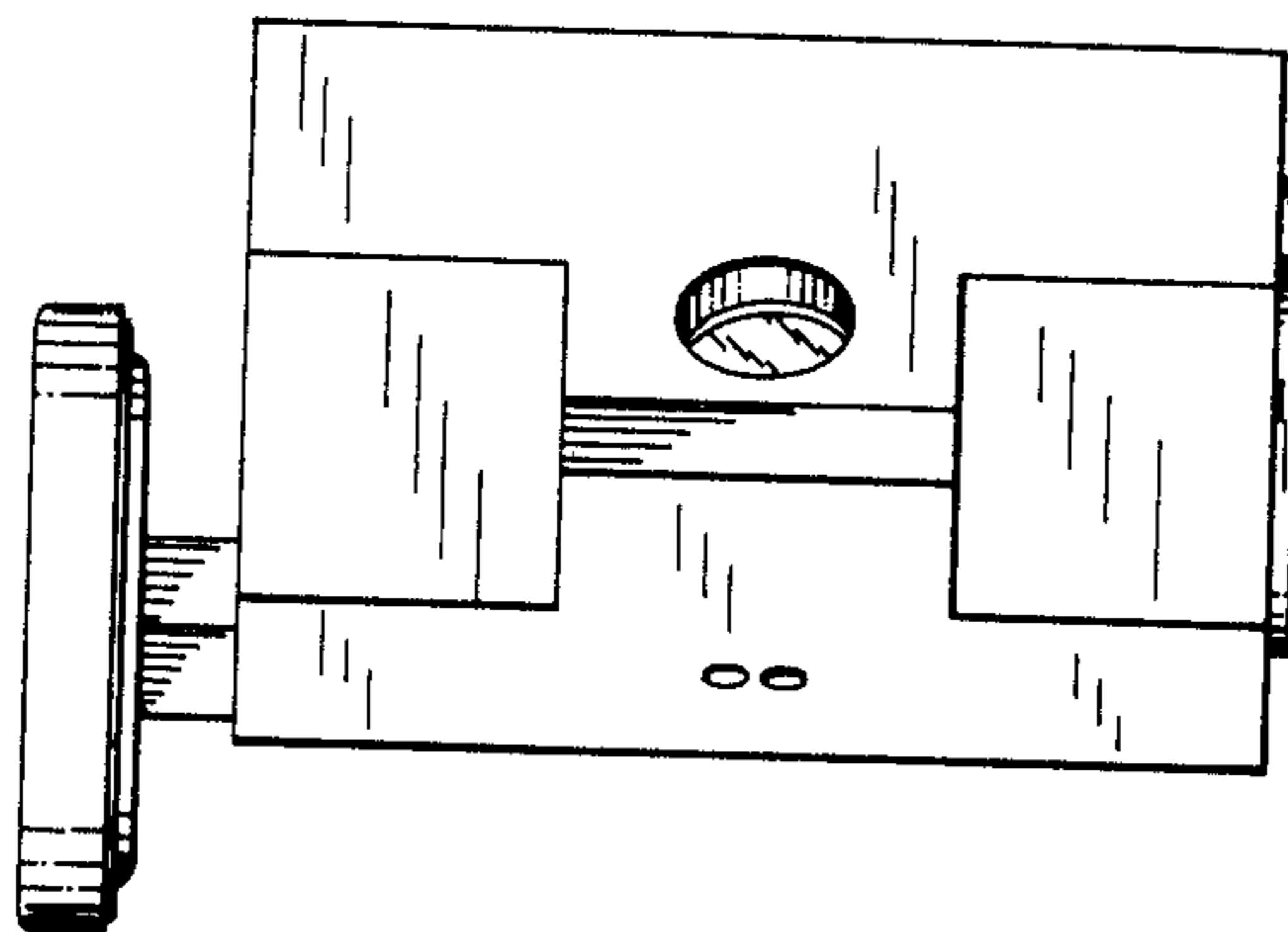


FIG. 6

FIG. 7

